

Our flameproof motors type 4KTC can be supplied with flameproof spring loaded brakes. Brakes type 4BM are always attached on NDE side of motor. Cooling fan is installed on back side of brake which provide high efficiency cooling of brake as well as motor. The electrical connection is made in a separate terminal box on a brake. Technical specification for motors series 4KTC is available in our general catalogues of flameproof motors.

Features

- Frame size 71-132
- First quality class components
- Robust design for heavy working conditions
- Large terminal box Ex d or Ex de
- Duty type S1-S9
- Frequency drive from 48 up to 6000 rpm
- 50 Hz and 60 Hz
- PTC or Pt100 or PTO thermal protection
- Highest explosion protection for gas and dust
- For Zone 1, 2 and Zone 21, 22
- Up to IP 66
- Ambient temperature from -50 °C up to +85 °C
- ATEX and IECEx certificates

Explosion protection

Ex protection type ATEX	⊕ II 2G Ex d IIC T4 to T6 Gb
	⊕ II 2G Ex de IIC T4 to T6 Gb
	⊕ II 2D Ex tb IIIC T85 °C to T135 °C Db
Certification	BVS 12 ATEX E 044 X, IECEx BVS 14.0033X

Technical data

Protection class	up to IP 66
Frequency	50 Hz or 60 Hz
Ambient temperature	-50 °C to +85 °C
Insulation class	F standard, H on request
Duty type	S1 to S9
Material	grey cast iron
Standard colour	RAL 5010, other colours on request

General performance 2 pole motors 50 Hz

Motor with brake type	Nm min./max.	Voltage AC	W AC (1 ph)	Max. RPM		Starts/h max.	Braking time ms	Weight kg		
				S1	S9			B3	B5	B14
BM 4KTC 71 A-2/08	5/6.5	230	22	2800	5600	2900	90	27	29	28
BM 4KTC 71 B-2/08				2800	5600	2450				
BM 4KTC 80 A-2/10	10/13	230	28	2780	5560	1900	145	37	39	38
BM 4KTC 80 B-2/10				2800	5600	1600				
BM 4KTC 90 S-2/13	20/26	230	34	2840	5680	1200	280	49	51	50
BM 4KTC 90 L-2/13				2820	5640	1050				
BM 4KTC 100 L-2/15	40/52	230	42	2820	5640	630	225	63	67	66
BM 4KTC 112 M-2/17	60/78	230	50	2840	5680	270	290	81	87	86
BM 4KTC 132SA-2/20	100/130	230	76	2860	5720	250	420	126	132	131
BM 4KTC 132SB-2/20				2860	5720	250				

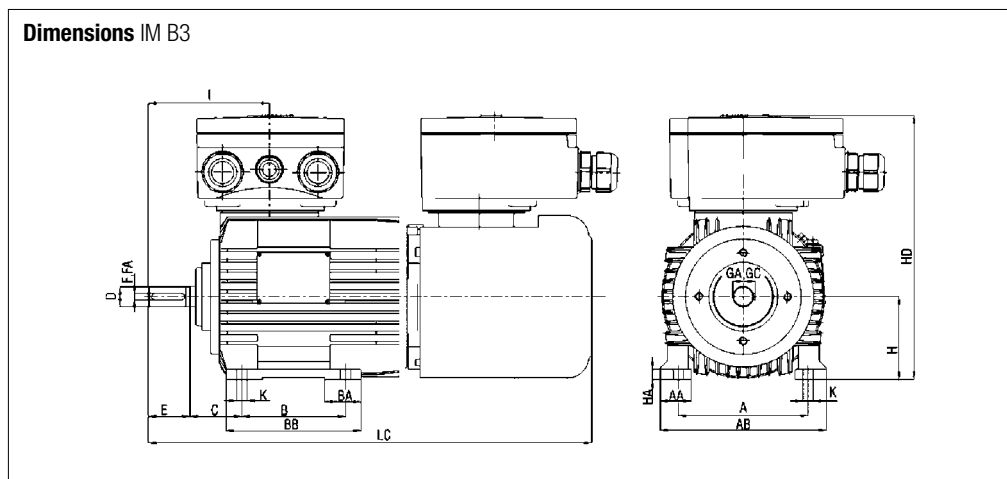


General performance 4 pole motors 50 Hz

Motor with brake type	Nm min./max.	Voltage AC	W AC (1 ph)	Max. RPM		Starts/h max.	Braking time ms	Weight kg		
				S1	S9			B3	B5	B14
BM 4KTC 71 A-4/08	5/6.5	230	22	1400	2800	7200	90	27	29	28
BM 4KTC 71 B-4/08				1380	2760	5500				
BM 4KTC 80 A-4/10	10/13	230	28	1400	2800	3700	145	37	39	38
BM 4KTC 80 B-4/10				1400	2800	4200				
BM 4KTC 90 S-4/13	20/26	230	34	1400	2800	2300	280	49	51	50
BM 4KTC 90 L-4/13				1410	2820	2700				
BM 4KTC 100 LA-4/15	40/52	230	42	1420	2840	1200	225	63	67	66
BM 4KTC 100 LB-4/15				1420	2840	1600				
BM 4KTC 112 M-4/17	60/78	230	50	1430	2860	1100	290	81	87	86
BM 4KTC 132 S-4/20	100/130	230	76	1440	2880	900	420	126	132	131
BM 4KTC 132 M-4/20				1440	2880	400				

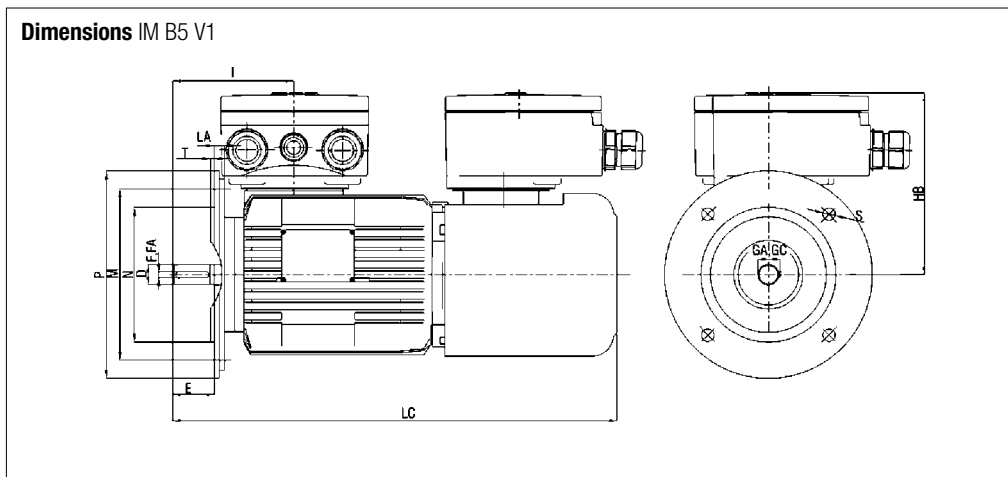
Technical data for electric motors 4KTC 71-132 is on general catalogue of flameproof motors.
Other pole numbers on request.

Flameproof brake motors 4KTC - Dimensions form IM B3



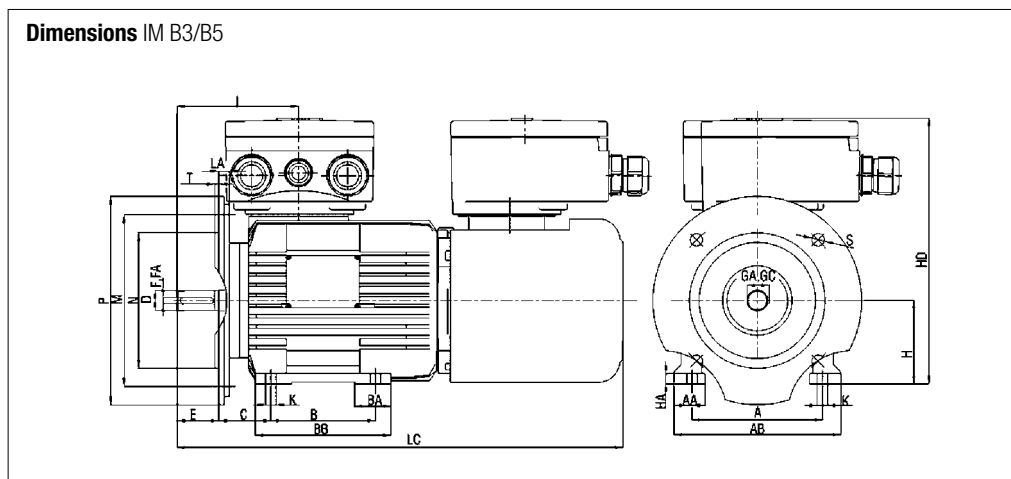
Dimensions IM B3 (mm)

Frame size	Brake size	A	AA	AB	HD	B	BA	BB	C	D	E	F, FA	GC, GA	H	HA	I	K	LC
BM 4KTC 71 A, B	8	112	30	140	218	90	30	114	45	14	30	5	16	71	10	113	9	366
BM 4KTC 80 A, B	10	125	32	160	249	100	35	130	50	19	40	6	21,5	80	10	132	10	428
BM 4KTC 90 S, L	13	140	35	80	271	125	60	155	56	24	50	8	27	90	10	144	10	472
BM 4KTC 100 L	15	160	45	205	288	140	45	175	63	28	60	8	31	100	17	158	12	543
BM 4KTC 112 M	17	190	50	235	311	140	50	180	70	28	60	8	31	112	15	158	12	563
BM 4KTC 132 S	20	216	55	266	350	140	75	218	89	38	80	10	41	132	18	181	12	666
M						178												



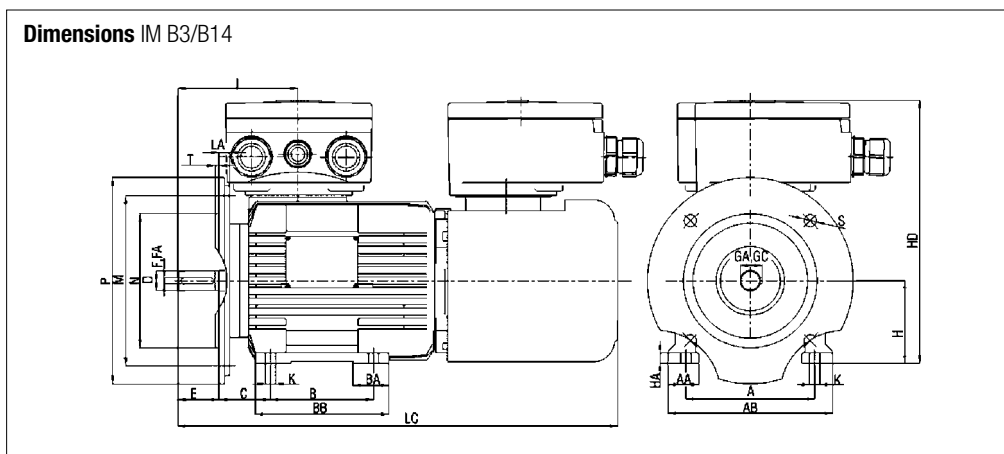
Dimensions IM B5 V1 (mm)

Frame size	Brake size	Flange	HB	D	E	F, FA	GC, GA	I	LA	LC	M	N	P	S	No. of holes S	T
BM 4KTC 71 A, B	8	F 130-I	147	14	30	5	16	113	10	366	130	110	160	9	4	3.5
BM 4KTC 80 A, B	10	F 165-I	169	19	40	6	21.5	132	10	428	165	130	200	12		3.5
BM 4KTC 90 S, L	13	F 165-I	181	24	50	8	27	144	10	472	165	130	200	12		3.5
BM 4KTC 100 L	15	F 215-I	188	28	60	8	31	158	11	543	215	180	250	14		4
BM 4KTC 112 M	17	F 215-I	199	28	60	8	31	158	11	563	215	180	250	14		4
BM 4KTC 132 S, M	20	F 265-I	218	38	80	10	41	181	15	666	265	230	300	14		4



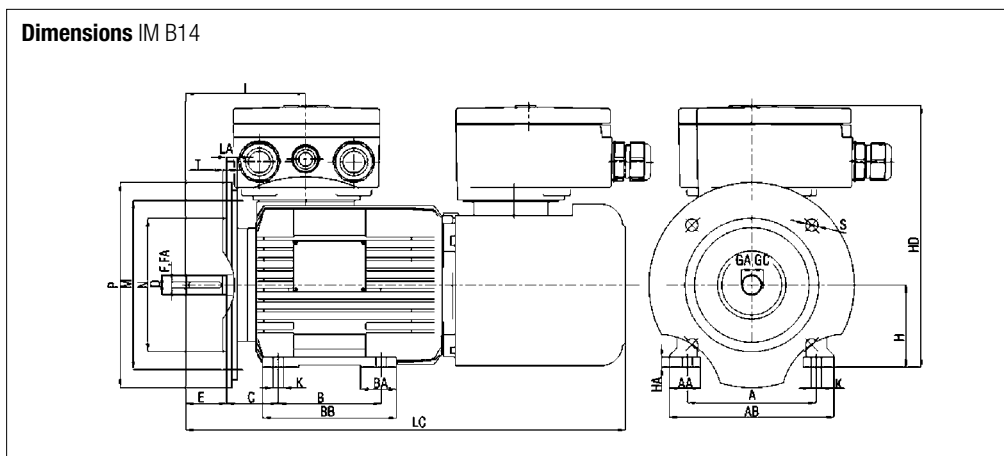
Dimensions IM B3/B5 (mm)

Frame size	Brake size	Flange	A	AA	AB	HD	B	BA	BB	C	D	E	F, FA	GC, GA	H	HA	I	K	LC	M	N	P	S	No. of holes S
BM 4KTC 71 A, B	8	F 130-I	112	30	140	218	90	30	114	45	14	30	5	16	71	10	113	9	366	130	110	160	9	4
BM 4KTC 80 A, B	10	F 165-I	125	32	160	249	100	35	130	50	19	40	6	21.5	80	10	132	10	428	165	130	200	12	
BM 4KTC 90 S, L	13	F 165-I	140	35	80	271	125	60	155	56	24	50	8	27	90	10	144	10	472	165	130	200	12	
BM 4KTC 100 L	15	F 215-I	160	45	205	288	140	45	175	63	28	60	8	31	100	17	158	12	543	215	180	250	14	
BM 4KTC 112 M	17	F 215-I	190	50	235	311	140	50	180	70	28	60	8	31	112	15	158	12	563	215	180	250	14	
BM 4KTC 132 S	20	F 265-I	216	55	266	350	140	75	218	89	38	80	10	41	132	18	181	12	666	265	230	300	14	
M							178																	



Dimensions IM B3/B14 (mm)

Frame size	Brake size	Flange	A	AA	AB	HD	B	BA	BB	C	D	E	F, FA	GC, GA	H	I	LC	M	N	P	S	No. of holes S	T
BM 4KTC 71 A, B	8	F 85-II	112	30	140	218	90	30	114	45	14	30	5	16	71	113	366	85	70	105	M6	4	2.5
		F 115-II																115	95	140	M8		3
BM 4KTC A, B	10	F 100-II	125	32	160	249	100	35	130	50	19	40	6	21.5	80	132	428	100	80	120	M6		2.5
		F 130-II																130	110	160	M8		3
BM 4KTC 90 I, S	13	F 115-II	140	35	180	271	100	60	155	56	24	50	8	27	90	144	472	115	95	140	M8	3	
		F 130-II																125	130	110	160	M8	3.5
BM 4KTC 100 L	15	F 130-II	160	45	205	288	140	45	175	63	28	60	8	31	100	158	543	130	110	160	M8	3.5	
		F 165-II																165	130	200	M10	3.5	
BM 4KTC 112 M	17	F 130-II	190	50	235	311	140	50	180	70	28	60	8	31	112	158	563	130	110	160	M8	3.5	
		F 165-II																165	130	200	M10	3.5	



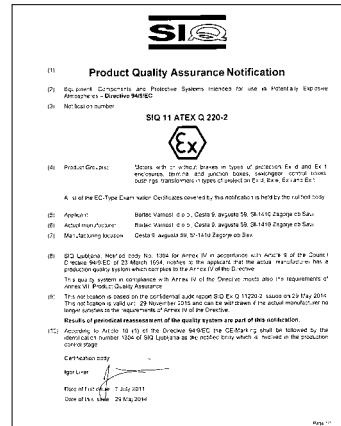
Dimensions IM B14 (mm)

Frame size	Brake size	Flange	D	E	F, FA	GC, GA	HB	I	LC	M	N	P	S	No. of holes S	T
BM 4KTC 71 A, B	8	F 85-II	14	30	5	16	147	113	366	85	70	105	M6	4	2.5
		F 115-II								115	95	140	M8		3
BM 4KTC A, B	10	F 100-II	19	40	6	21.5	169	132	428	100	80	120	M6		2.5
		F 130-II								130	110	160	M8		3
BM 4KTC 90 L, S	13	F 115-II	24	50	8	27	181	144	472	115	95	140	M8	3	
		F 130-II								130	110	160	M8	3.5	
BM 4KTC 100 L	15	F 130-II	28	60	8	31	188	158	543	130	110	160	M8	3.5	
		F 165-II								165	130	200	M10	3.5	
BM 4KTC 112 M	17	F 130-II	28	60	8	31	199	158	563	130	110	160	M8	3.5	
		F 165-II								165	130	200	M10	3.5	



The quality of our products and services is our primary concern. The reliability and high technical level of our systems and components have been confirmed by the internationally accredited test institutes which have awarded us numerous certificates.

With the help of the ISO 9001:2000 certificate the system of quality BARTEC VARNOST is recognizable throughout the world and assures quality from the development to the delivery of a product to the customer.



SIQ QUALITY ASSESSMENT REPORT	
CONFIDENTIAL	
ICEX QAR Reference No.: SIQ/QAR11.00002	
Manufacturer:	Bartec Varnost, d.o.o. Cesta 8. Avgusta 88, 1410 Zagorje ob Savi, Slovenia
Production Sites/ number of sites:	Bartec Varnost, d.o.o. Cesta 8. Avgusta 88, 1410 Zagorje ob Savi, Slovenia
Product Description:	Systems with or without batteries in types of protection Ex d and Ex t enclosures, terminal and junction boxes, packaging control boxes, switching transformers in types of protection Ex d, Ex e and Ex t.
Number of Employees:	Table 102 - Not provided in the certificate ISO
Scope of Audit:	Initial Assessment <input type="checkbox"/> Re-Assessment <input checked="" type="checkbox"/> Surveillance Assessment <input type="checkbox"/>
List of applicable ENX Certificates:	List of ICEX Certificates: SIQcertification, Bartec Varnost, d.o.o., 8. 9. 2014
Internal equipment with types of protection:	Ex d, Ex e, Ex t, Ex t, Ex t
Audit Team Leader:	Miroslav Delbec
Audit Date:	15. 9. 2014
Contents:	1. Background Report 2. Audit Information 3. Documentation Review and Assessment of Implementation 4. Observations

- SIQ 11 ATEX Q 220-2
- ISO 9001
- ISO 14001
- OHSAS 18001

BARTEC

Your partner
for safety
technology.
Challenge us!



BARTEC GmbH
Max-Eyth-Str. 16
97980 Bad Mergentheim
Germany

Phone: +49 7931 597 0
Fax: +49 7931 597 119

info@bartec.de
www.bartec.de

BARTEC VARNOST d.o.o.

Cesta 9, avgusta 59
1410 Zagorje ob Savi
Slovenia

Phone: +386 59 221 471
Fax: +386 59 221 470

info@bartec-varnost.si
www.bartec-varnost.si