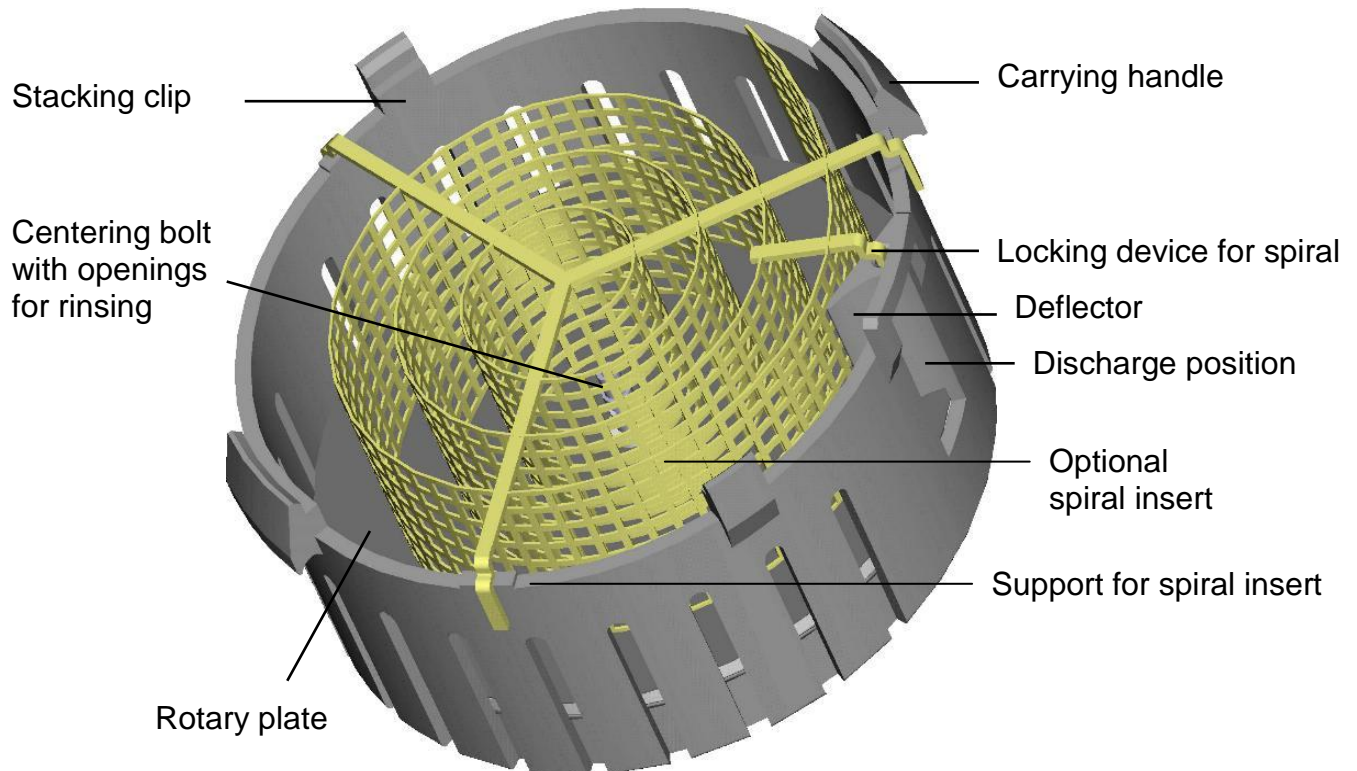


## Round magazine, type 6875



### Functions

The round magazine is a stackable container which takes up 70 sample bottles or (without spiral insert) 90 sample bottles of the type 6845-x.

The sample bottles are transported by means of a rotary plate driven by a flange at the bottom. The round magazine is stuck onto the hexagonal shaft of the drive

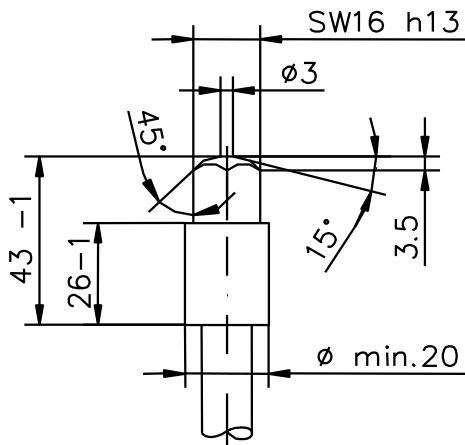
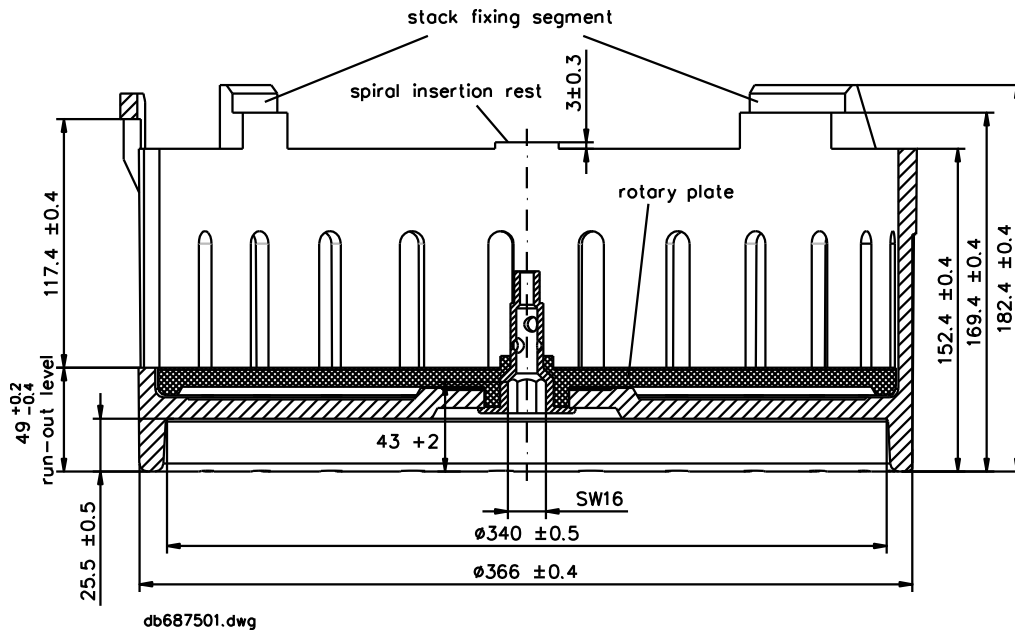
unit. Centring prevents the casing from spinning.

During operation with the optional spiral insert, the sample bottles are sequentially transported to the discharge position or into the round magazine.

Openings on all sides allow the tempering of sample bottles in the

water bath. These openings also facilitate the cleaning of the round magazines.

A drive force with a torque of  $\geq 5$  Nm is required to operate the round magazine fully equipped with sample bottles.



## Technical data

### Mechanical data

Construction	Plastic, magnetic foil, stainless steel
Total dimensions	Required space approx. $\varnothing$ 405 mm, height 185 mm

### Ambient conditions

Storage temperature	-20 ... +60 °C
Operating temperature	0 ... 45 °C
Washing temperature	max. 60 °C

## Ordering designations

Designation	Order number
Round magazine, grey	U949 16 875
Round magazine, blue	U949 16 8751
Spiral for round magazine	U949 14 96059