

Bottle drive with pneumatic lifting device, type 6774-10

- Unattended supply and setting down of the sample bottles during the ULTRASAMPLER® sampling.
- Easy insertion and taking out of the round magazines type 6875.



Installation

Assembly

Horizontal assembly, taking into account the position of the ULTRASAMPLER®.

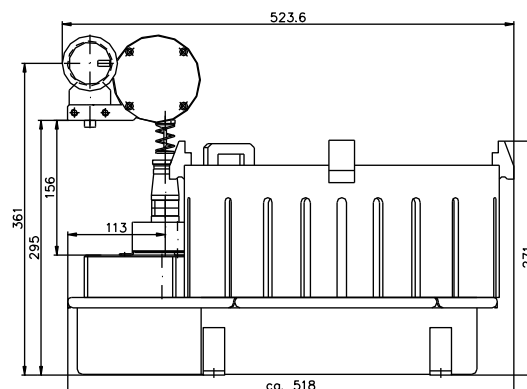
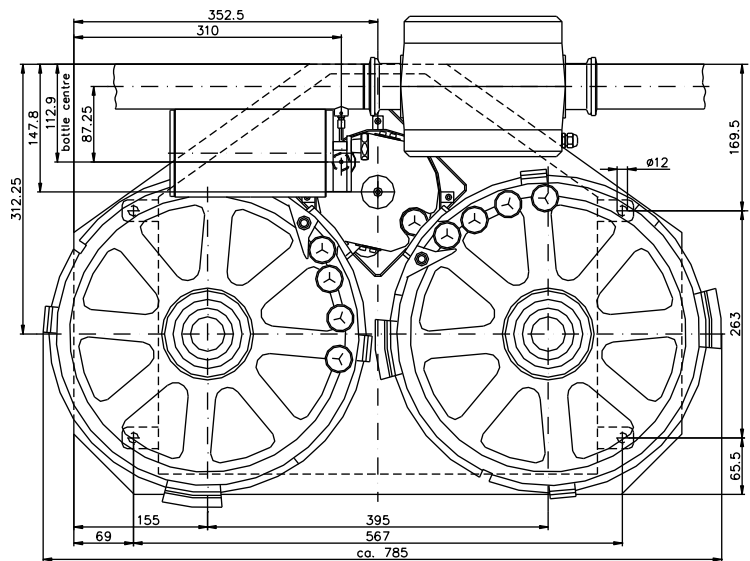
After the assembly, an unimpeded replacement of the round magazines ought to be possible (cf. drawing!).

Connection

Establish compressed air supply (cf. drawing!)

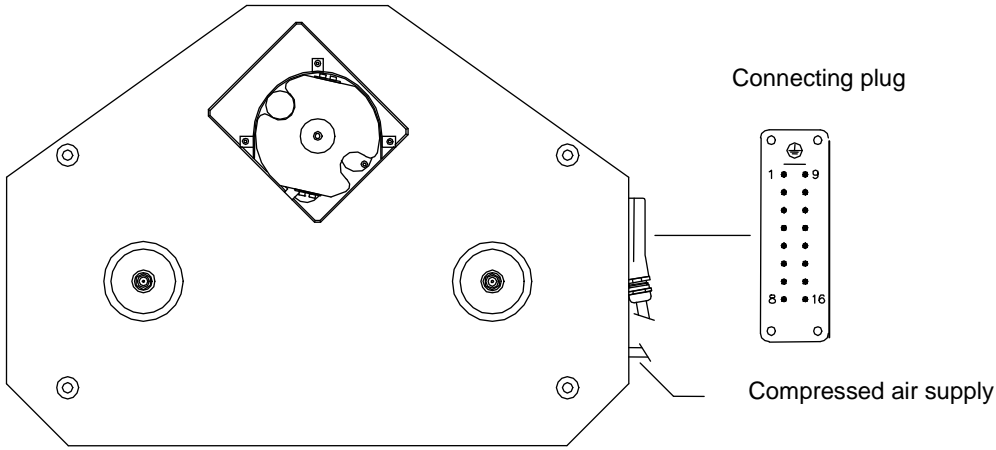
Wiring

Wire the connecting cable of the bottle drive (type 6774-304, L = 7 m) to ULTRASAMPLER®-Controller or terminal box.

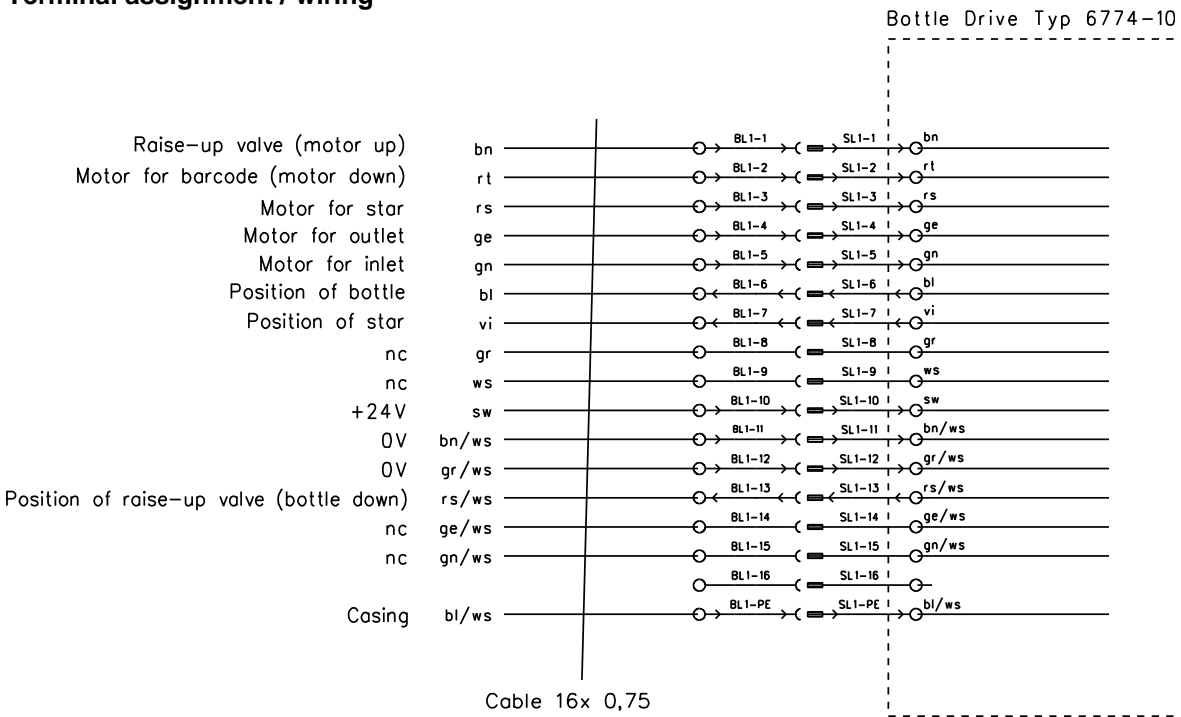


db67740#.dwg

Connection

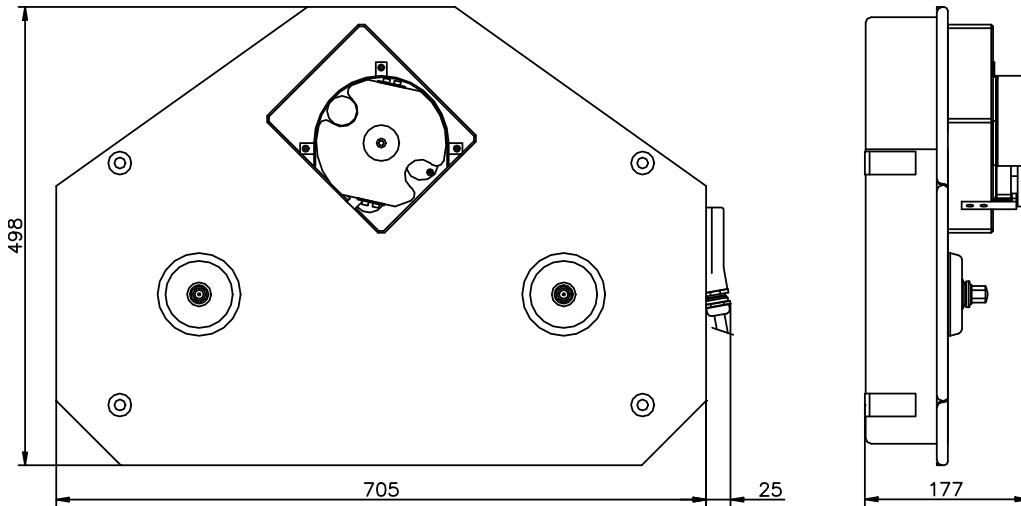


Terminal assignment / wiring



db677403.dwg

Dimensions



db677401.dwg

Technical data	
Mechanical data	
Dimensions	790 x 520 x 278 (incl. round magazines) 705 x 498 x 177 (without round magazine)
Weight	28 kg without round magazines
Casing	Stainless steel, plastic (POM)
Protection type	IP51
Round magazine	Type 6875 with sample bottles type 6845: 70 sample bottles per magazine
Connection	Connecting plug with socket insert (F), type Han 16 A (16-pole) Compressed air supply, plug connection for hose with outer diameter 5.0 mm (cf. connection drawing!), 10 bar max. pressure, oil-free
Ambient conditions	
Permissible operating temperature	- 10...+ 50 °C
Permissible storage temperature	- 10...+ 70 °C
Climatic class	JWA according to DIN 40040 (permanent wetness)
Electrical data	
Input voltage	DC 24 V
Fuses	No internal fuses, protection via control system
Barcode reader	Fastening facility for barcode reader, e.g. type 6834-10, 6727-40 (not included in the delivery scope)
Ordering details	
Designation	Order number
Bottle drive 6774-10 (without round magazines and barcode reader)	U 944 1677410
Spare parts	
Connecting cable for bottle drive L = 7 m	210 877
Proximity switch, inductive npn M 12 x 1 (position of lifting cylinder, position of bottle)	U 495595
Proximity switch, inductive npn M 12 x 1 (position of star)	203 657
Magnetic valve 5/2-way G 1/8 24 V	208 153
Plastic hose PUN 4x0,75 silver	201 587