

Thermoprinter Type 6761-11

Thermoprinter for simple and reliable registration of measuring values and data.



Application

The sturdy model is insensitive to vibration and enables it to be used both mobile and stationary.

As the printer does not contain moving parts (printing head, etc.) it is completely resistant to wear and is very suitable for continuous operation.

It is very simple to change the paper.

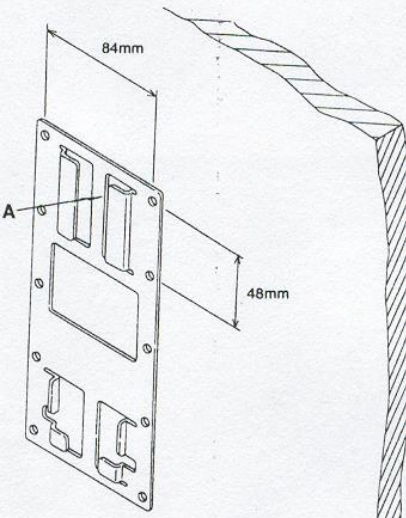
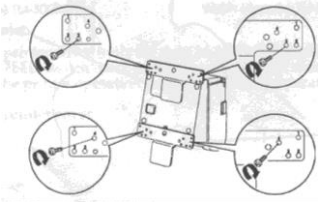
It has a standard RS 232 interface.

Function

The graphics-capable printer provides a clear printing format, the internal data buffer stores the printing data until they are printed out. By this the controller is able to continue with its program without delay times.

Advantages

- Clear printout
- Very fast
- Paper end detection
- Extremely reliable and quiet
- No mechanical wear
- Individual data protocol
- CE-proved
- Internal data buffer
- Comfortable for service
- Compact and small
- proved

Technical Data		
Mechanical Data		
Dimensions	W x D x H: 145 mm x 195 mm x 148 mm	
Mounting position	Vertical or horizontal	
Cover	Plastic, grey	
Weight	1,8 kg (without paper)	
Electrical Data		
Interface	Standard: RS-232 (use only in system 3002 possible)	
Data buffer	Input storage: 4 KB	
Speed	Low-power mode 70 mm/s	
Power supply	DC 24 V/60 mA for stand-by-mode DC 24 V/1,5 A for printing mode	
Printing method	Thermo, 180 x 180 dpi	
Script	Format: Font A = 12 x 24 Sign size: Font A = 1,41 mm x 3,39 mm Signes per line (79,5 mm): Font A = 42	
Environment conditions		
Working temperature	0 ... 50 °C	
Storage temperature	- 20 ... 60 °C	
Protective system	IP 30	
Climatic class	KWF according to DIN 40040	
Accessories		
Paper	Width: 79,5 mm ± 0,5 Max. Diameter: 83 mm	
Mounting/Dimensions		
		
<p>1. fix mounting plate 3. fix the printer to the mounting plate</p>		
Electrical connection		
		
PIN	Color	Signal
2	gn = green	TxD V24
3	ge = yellow	RxD V24
7	bn = brown	GND V24
9	rs = rose	+ 24V
10	gr = grey	+ 24V
12	bl = blue	0V
13	ws = white	0V
Gehäuse = case	Schirm = shield	
2. fix clamps to the printer		
Order designations		
Designation	Order number	
Thermoprinter Type 6761-11	215 004	
Thermo printing paper (VPE 40 Rolls)	215 115	
Mounting plate (for vertical mounting)	215 114	
Connection cable, L = 15 m , shortening on demand	215127	