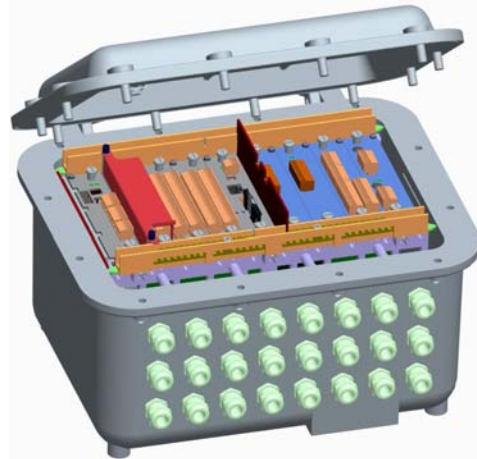


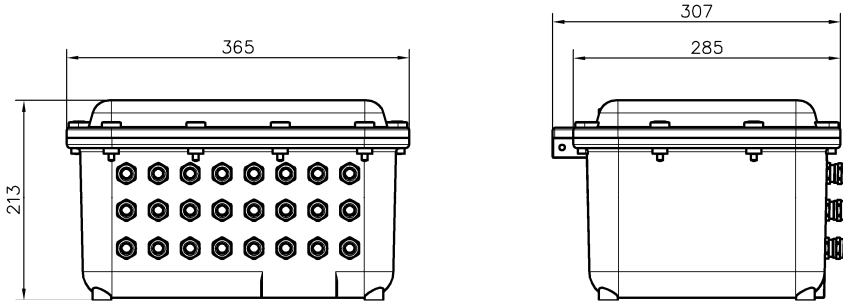
## Basic module 24, type 6932-11

- Ex-d enclosure
- Motherboard
- Sufficient slots for applications VOLUTANK, SAFE, SPDS
- Robust and compact aluminium enclosure
- ATEX approved

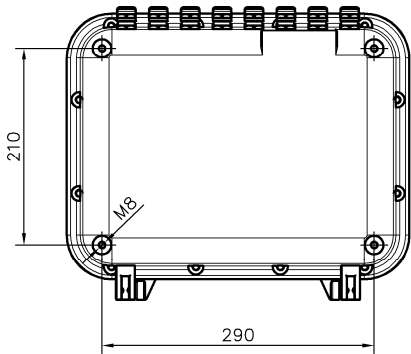


| Technical data                                  |   |
|---|---|
| <b>Electric data</b>                            |   |
| Auxiliary energy                                | DC 24 V on-board power supply (depending on power supply plug-in unit)        |
| Connection type                                 | plug-in terminals, cable gland  |
| Inputs and outputs                              | see modules   |
| Interfaces                                      | see modules   |
| <b>Ambient conditions</b>                       |   |
| Operating temperature                           | - 20 ... + 50 °C  |
| Storage temperature                             | - 20 ... + 50 °C  |
| Equipment group / category / type of protection | II 2 (1) G Ex d [Ia IIB Ga] IIA + C <sub>2</sub> H <sub>6</sub> O T4          |
| Certificates                                    | PTB 12 ATEX 1023 X<br>IECEX PTB 14 0009X                                      |
| Standards                                       | EN 60079-0, EN 60079-1, EN 60079-14<br>IEC 60079-0, IEC 60079-1, IEC 60079-14 |
| Protection type                                 | IP 65 in accordance with DIN 40050  |
| <b>Device-specific data</b>                     |   |
| Measurement ranges                              | see modules   |
| Precision / resolution                          | see modules   |
| Nominal conditions                              | 23 °C ± 2 °C  |
| Display   | external HMI  |
| <b>Mechanical data</b>                          |   |
| Dimensions                                      | see dimensional drawing   |
| Mounting holes                                  | see dimensional drawing   |
| Weight  | about 15.8 kg (without modules and without cable glands)                      |
| Enclosure material                              | aluminium cast  |
| Ordering details                                |   |
| Designation                                     | Order number  |
| Basic module 24, type 6932-11                   | 302531  |

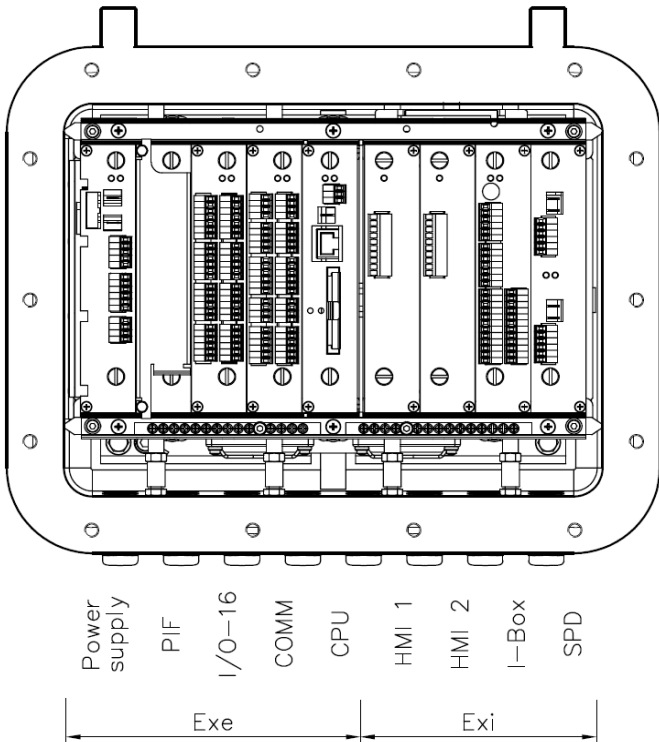
**Dimensions**



Mounting holes:



**Connection diagram**



302531.dwg

| Slots |  | Order no.        |
|-------|--|------------------|
| 1xx   | 6932-100 Power Supply 24 V, optional<br>6932-107 Power Supply 12 V | 276746<br>290551 |
| 2xx   | 6932-110 Dipstick Interface  | 291839           |
| 3xx   | 6932-101 I/O-16-Interface  | 276268           |
| 4xx   | 6932-102 COMM-Interface  | 276269           |
| 5xx   | 6932-103 CPU   | 276292           |
| 6xx   | 6932-104 HM-Interface Ex   | 276747           |
| 7xx   | 6932-104 HM-Interface Ex   | 276747           |
| 8xx   | 6932-112 I-Box Interface<br>6932-109 I-Box Interface plus          | 301742<br>291838 |
| 9xx   | 6932-108 SPD Interface quad<br>6932-111 SPD Interface dual         | 282981<br>295637 |

|        |     |     |     |     |     |     |     |     |     |
|--------|-----|-----|-----|-----|-----|-----|-----|-----|-----|
| SLOTS: | 1xx | 2xx | 3xx | 4xx | 5xx | 6xx | 7xx | 8xx | 9xx |
|--------|-----|-----|-----|-----|-----|-----|-----|-----|-----|