

i-Box Interface 4-20 mA, type 6932-113 series A

- Installation in basic module, type 6932-10
- The interface card allows to connect two I-Boxes-Namur and four 4 - 20 mA-2-conductor-sensors to the system



Technical data	
Electrical data	
Supply voltage system	DC 24V, fuse 1A DC 5,5V, fuse 250mA
Interface system	USB full speed, self-powered, 12MBit/s via Motherboard
Supply voltage I-Box Namur	2x DC 8,4V; fuse 100mA Explosion protection: Ex ia intrinsically safe power supply circuit for detailed electrical data see service manual
Interface I-Box-Namur	2x current-modulated, 200 Baud Explosion protection: Ex ia intrinsically safe power circuit for detailed electrical data see service manual
Supply voltage 4 - 20 mA-sensor (2-conductors)	4x DC 23V +- 5%; fuse 125mA Explosion protection: Ex ia intrinsically safe power supply circuit for detailed electrical data see service manual
Interface 4 - 20 mA-sensor	4x 4-20mA - input Explosion protection: Ex ia intrinsically safe power circuit for detailed electrical data see service manual
Product ID	6008
Ambient conditions	
Ambient temperature	-20 ... +70 °C
Ambient temperature (inside the basic module)	-20 ... +50 °C
Storage temperature	-20 ... +50 °C
Protection type	IP00 in accordance with DIN 40050
Equipment group / category / type of protection	II (1) G [Ex ia] IIB
EC-type examination certificate Norms	BVS 13 ATEX E 006
Mechanical Data	
Dimensions	See dimensions
Weight	175 g
System connection	Plug-in card
Connection	Terminals 1,5mm ² plugable

Ordering details

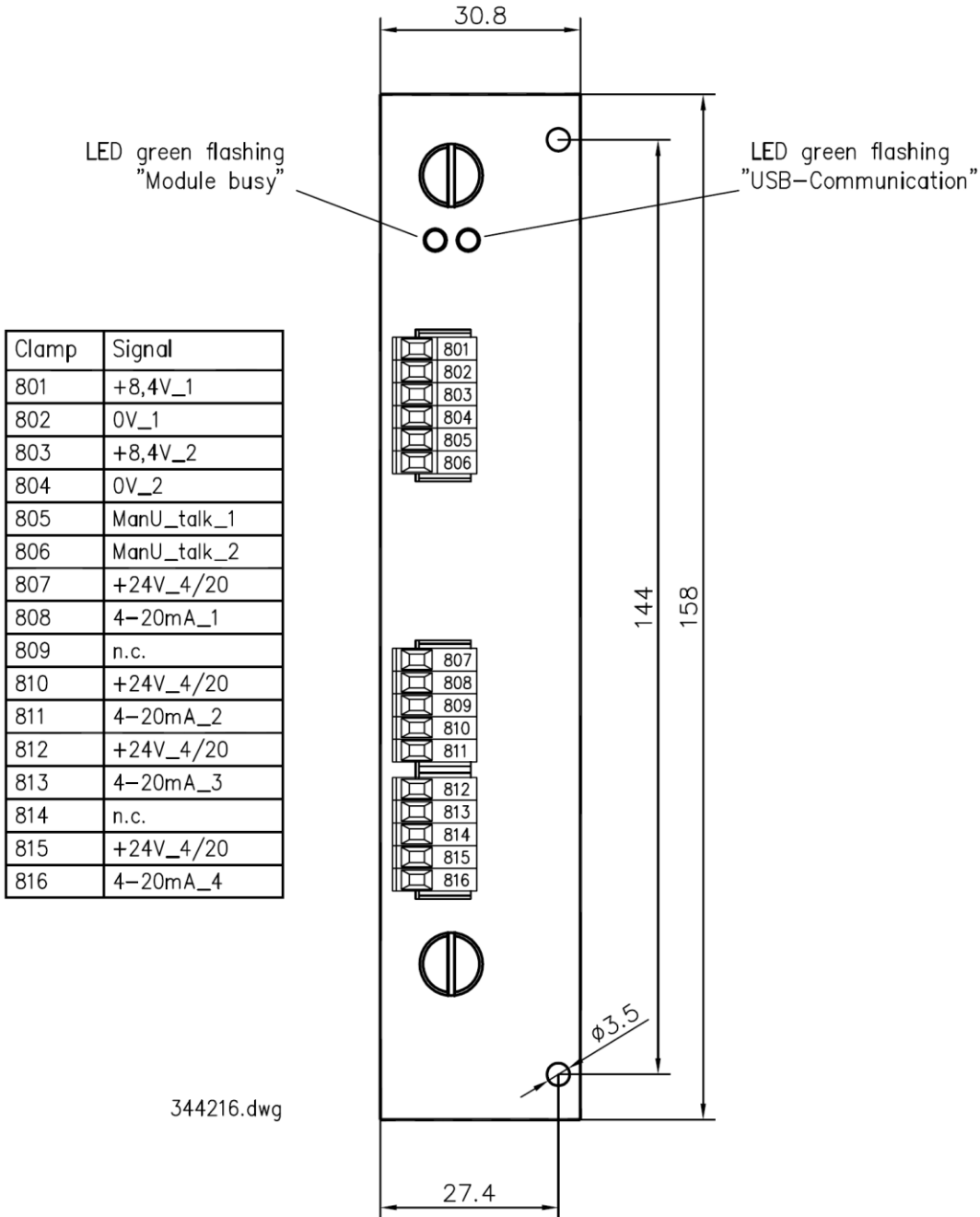
Designation

Order number

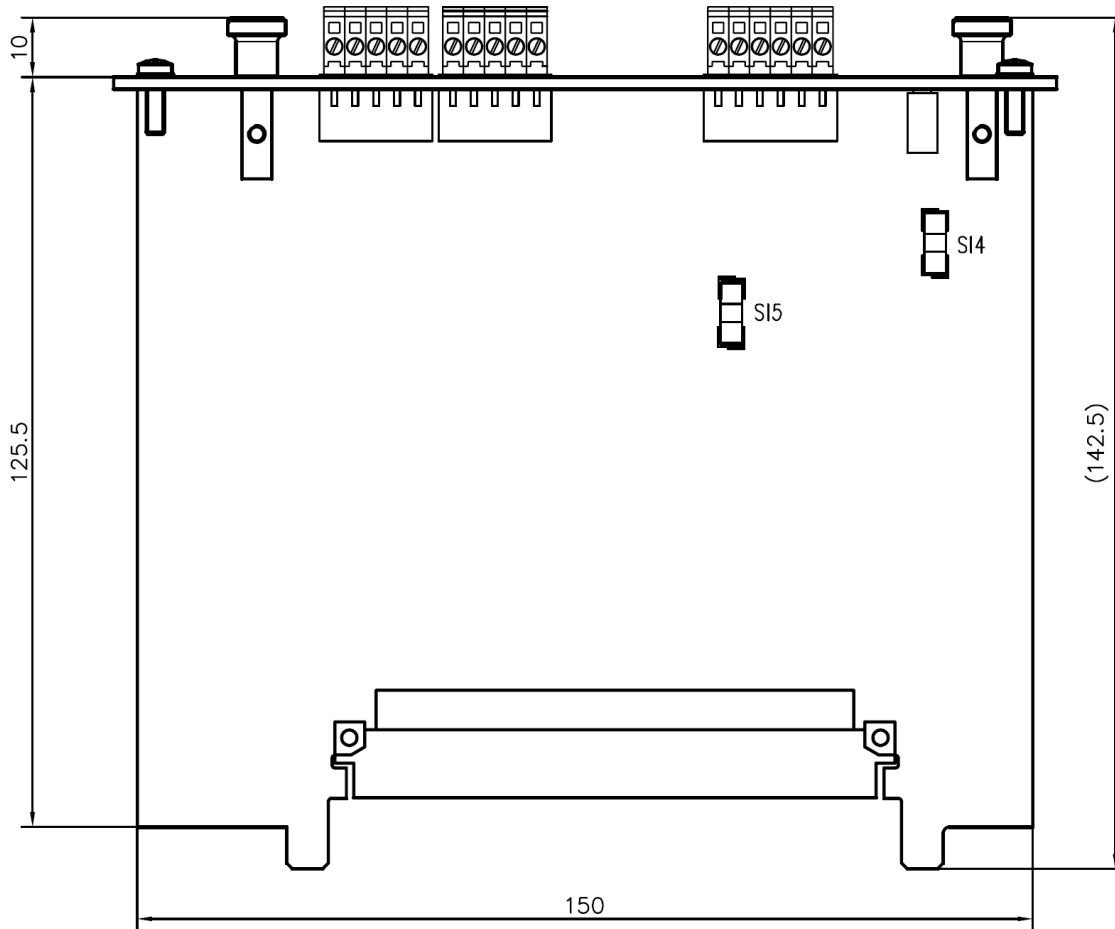
i-Box Interface 4-20mA, type 6932-113

344216

Dimensions and Terminal connection



Fuses



Fuse	Description	Value	Order No.
SI4	8,4V Power supply I-Boxes	T 100mA	291908
SI5	24V 4-20mA sensor system	T 125mA	292349

344216.dwg