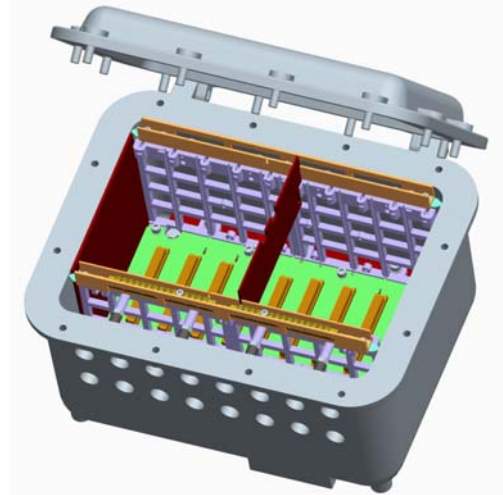


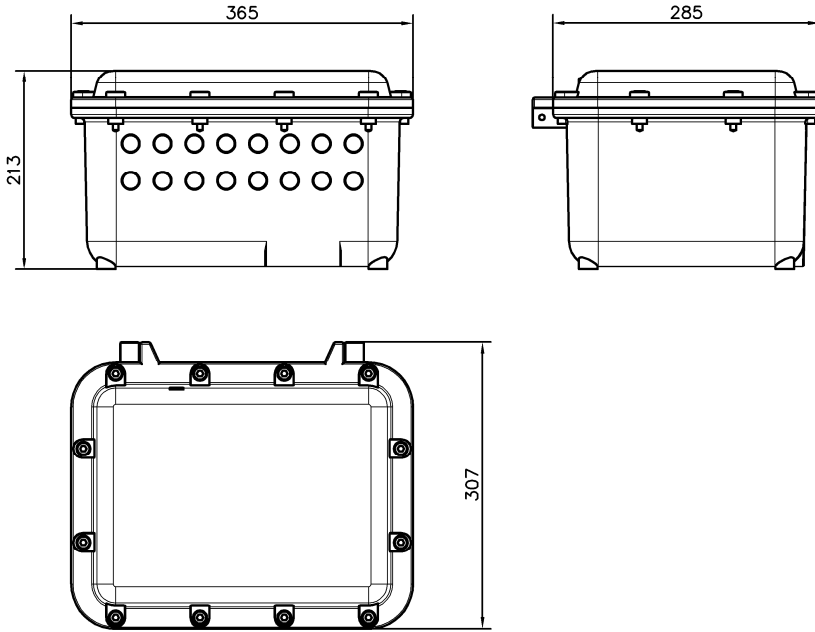
## Module basic 16, type 6932-10

- Provides Ex-d housing, motherboard, rugged mounting cage, fans and Ex-d cable glands



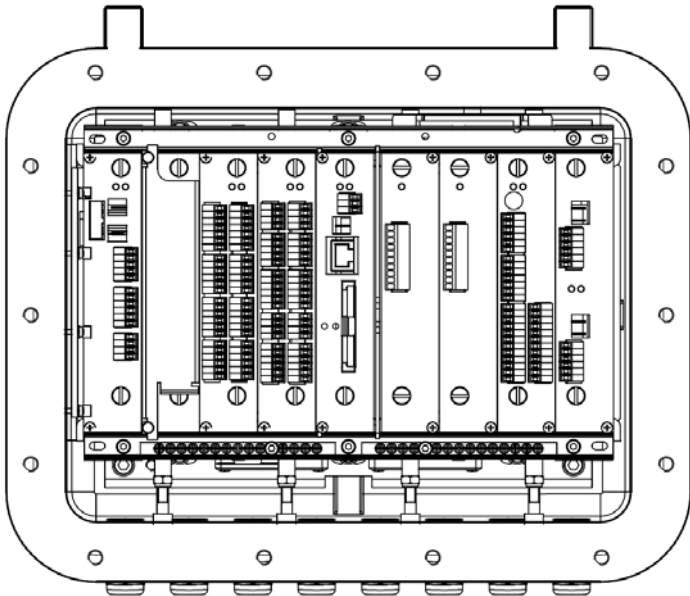
Technical Data	
<b>Electrical Data</b>	
Auxiliary energy	DC 24 V supply system on truck
Connection type	Plug-in terminal, screwed Ex-d cable glands
Inputs and outputs	See dedicated modules/cards
Interfaces	See modules
<b>Ambient Conditions</b>	
Operating temperature	-20 ... +50 °C
Storage temperature	-20 ... +60 °C
Equipment group / category / type of protection	II 2 (1) G Ex d [Ia IIB Ga] IIA + C <sub>2</sub> H <sub>6</sub> O T4
Certificates	PTB 12 ATEX 1023 X IECEX PTB 14 0009X
Standards	EN 60079-0, EN 60079-1, EN 60079-14 IEC 60079-0, IEC 60079-1, IEC 60079-14
Protection type	IP 65 in accordance with DIN 40050
<b>Device specific data</b>	
Measurement ranges	See modules/cards
Precision/resolution	See modules/cards
Nominal conditions	23 °C +/- 2 °C
Display	External HMI, type 6922-11 or additional type 6922-10
<b>Mechanical Data</b>	
Dimensions	See drawing
Weight	Approx. 15,8 kg (without cable glands and modules/cards)
Mounting bores	See drawing
Quality of casing	Aluminium cast
<b>Ordering details</b>	
<b>Designation</b>	<b>Order no.</b>
Module basic 16, type 6932-10	276267

## Dimensions



## Slots and placement

Note: Slot 6xx, 7xx, 8xx, 9xx are for intrinsically safe plug-in cards only  
 Slot 8xx and 9xx are sealed during operation (accessibility of the entire device)



276267.dwg

1xx	6932-100 (Power Supply)
2xx	Spare (e.g. second 6932-101)
3xx	6932-101 (I/O-16)
4xx	6932-102 (COMM)
5xx	6932-103 (CPU)
6xx	6932-104 (HM-Interface to 6922-11)
7xx	6932-104 (HM-Interface to 6922-10)
8xx	6932-105 ((3K/2K-Interface expansion)
9xx	6932-105 (3K/2K-Interface)

SLOTS:	1xx	2xx	3xx	4xx	5xx	6xx	7xx	8xx	9xx