

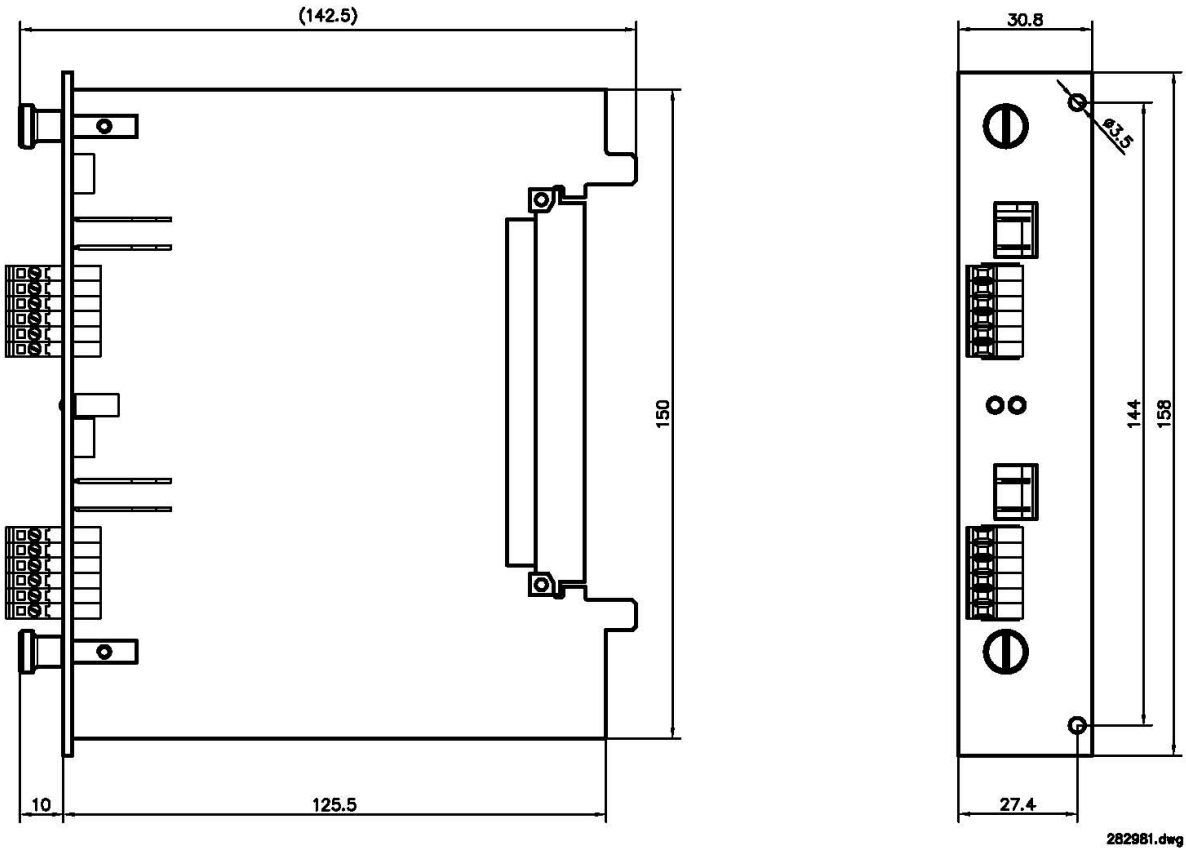
## SPD Interface Quad, type 6932-108 Series A

- Interface plug-in card for evaluation of SPDS sensor data
- Interface for connection to basic module type 6932-11
- Connection of I-Box Namur for evaluation of up to 72 Namur sensors
- Internal voltage supply for about 72 hours
- ATEX approved

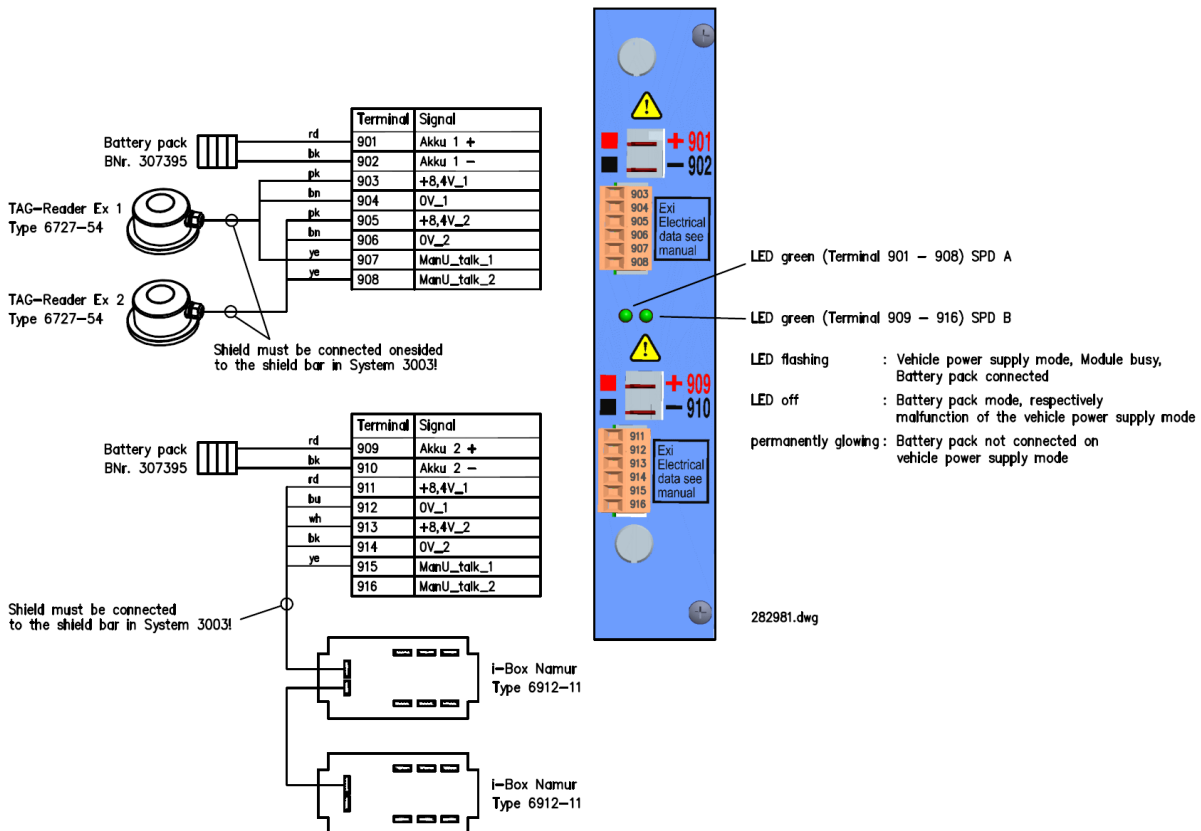


Technical data	
<b>Electrical data</b>	
Supply voltage	DC 24V, fuse 2 x 1A
Supply of I-Box Namur/ RFID-Tag-Reader	4 x DC 8,4 V; fuse 2 x 100mA Explosion protection: Ex ia intrinsically safe electric circuit; for detailed electrical data, see operating instructions;
Battery	2 x DC 4.8 V / 1.85 Ah; fuse 1,5A Explosion protection: Ex ia intrinsically safe electric circuit; for detailed electrical data, see operating instructions;
System interface	PNET, serial, asynchronous, 76800 bit/s, RS485
I-Box-Namur/ RFID-Tag-Reader - data interface	4 x current-modulated, 200 Baud Explosion protection: Ex ia intrinsically safe electric circuit; for detailed electrical data, see operating instructions;
<b>Ambient conditions</b>	
Ambient temperature	-20 ... +70 °C
Ambient temperature (inside the basic module)	-20 ... +50 °C
Storage temperature	-20 ... +50 °C
Protection type	IP00 in accordance with DIN 40050
Equipment group / category / type of protection	II (1) G [Ex ia Ga] IIB
EC-type examination certificate Norms	ZELM 03 ATEX 0178 X EN 60079-0, EN 60079-11, EN 60079-14, EN 60079-26
<b>Mechanical data</b>	
Dimensions	see dimensional drawing
Weight	2,5 N (250 g)
System connection	plug-in card
Connection	Terminals 1,5 mm <sup>2</sup> pluggable
<b>Ordering details</b>	
<b>Designation</b>	<b>Order number</b>
SPD Interface Quad type 6932-108	282981

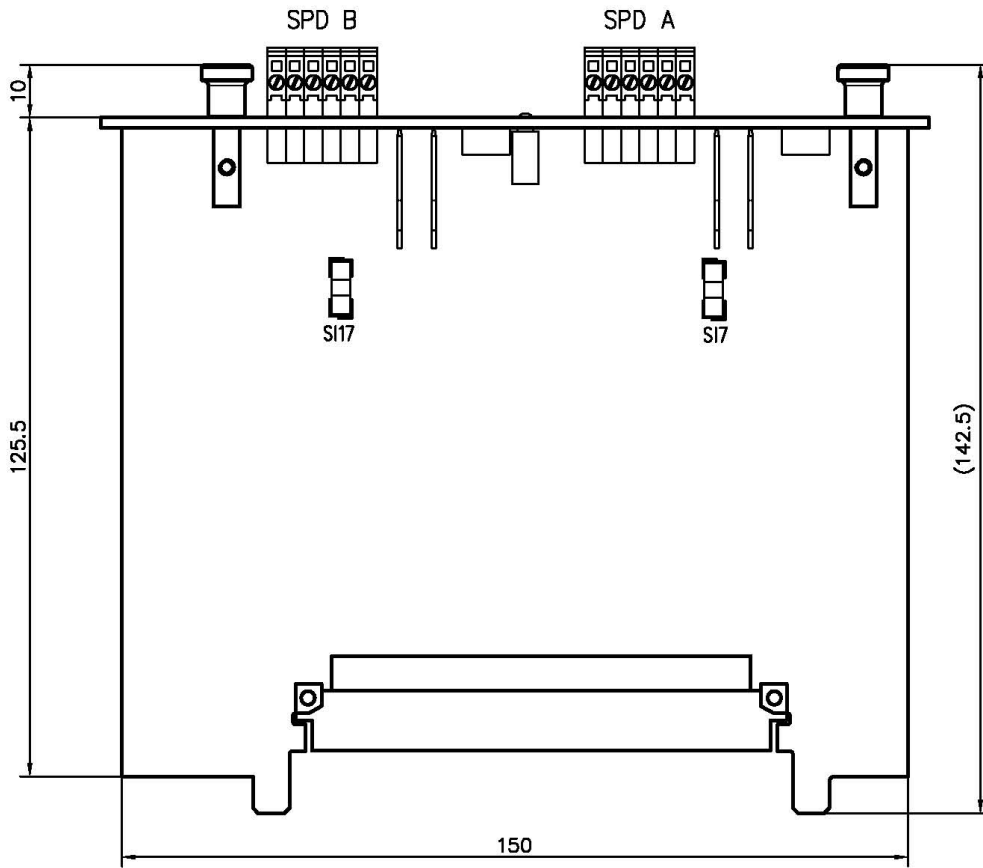
## Dimensions



## Terminal connection



# Fuses



Fuse	Description	Value	Order No.
SI7	+8,4V_1/2 SPD A	T 100mA	291908
SI7	+8,4V_1/2 SPD B	T 100mA	291908

282981.dwg