

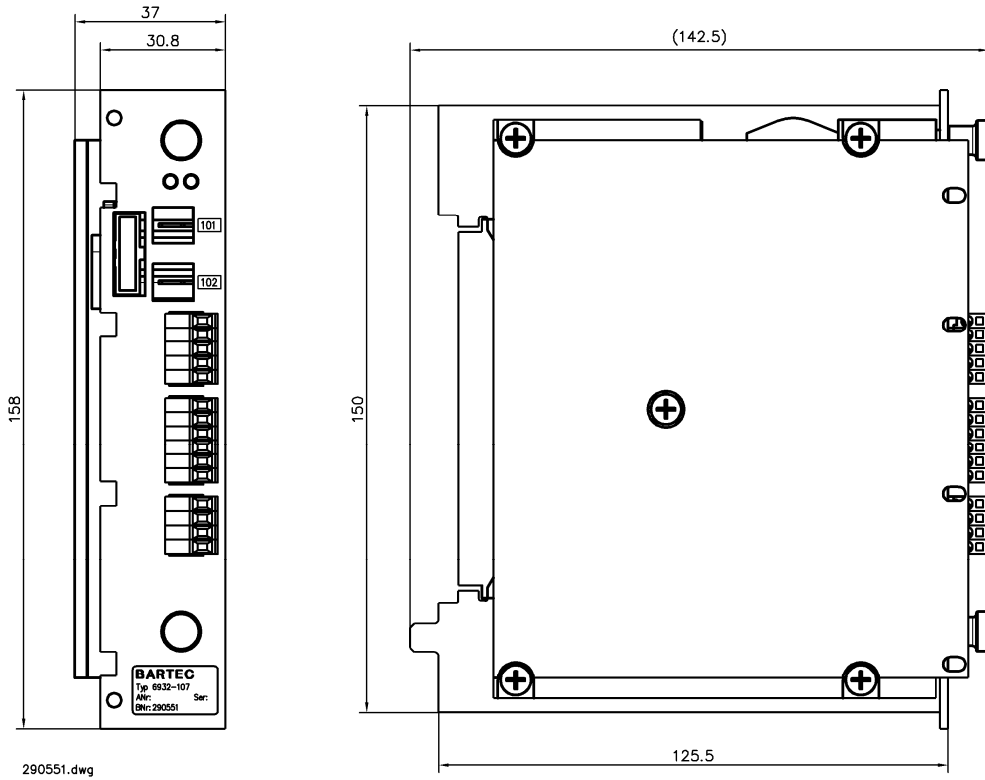
Power supply 12 V, type 6932-107

- Power for internal components (via motherboard to modules/ cards)
- Power for external components (modem, printer,...)
- Fan control
- Heat conductance to the case



| Technical Data | |
|---|--|
| Electrical Data | |
| Supply voltage | DC 12 V (DC 7 V ... DC 20 V) |
| Output voltage $U_{5,5V}$ | DC 5,5 V \pm 1 % max. 6 A |
| Output voltage U_{24V_S} | DC 24 V \pm 2 % max. 3 A |
| Output voltage U_{LD} | $U_{OUT} = U_{IN} - 1$ V max. 5 A, max. 20 V |
| Output voltage U_K | $U_{OUT} = U_{IN} - 1$ V max. 5 A, max. 20 V |
| Ambient Conditions | |
| Ambient temperature | -20 ... +70 °C |
| Ambient temperature (inside the basic module) | -20 ... +50 °C |
| Storage temperature | -20 ... +50 °C |
| Mechanical Data | |
| Dimensions | See Drawing |
| Weight | Aprox. 6,8 N (0,68 kg) |
| Connection | Plug-In clamp, blade receptacle 101 - 118 |
| Ordering details | |
| Designation | Order no. |
| Power supply 12 V, type 6932-107 | 290551 |

Dimensions



Clamp layout

