

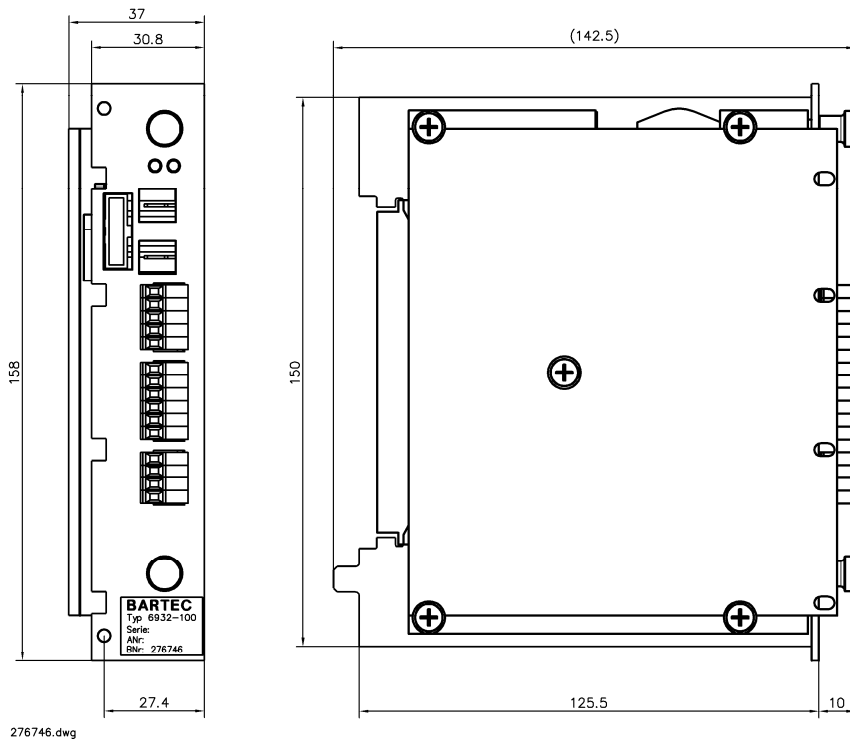
Power supply 24 V, type 6932-100 series A

- Power for internal components (via motherboard to modules/ cards)
- Power for external components (modem, printer,...)
- Fan control
- Heat conductance to the case



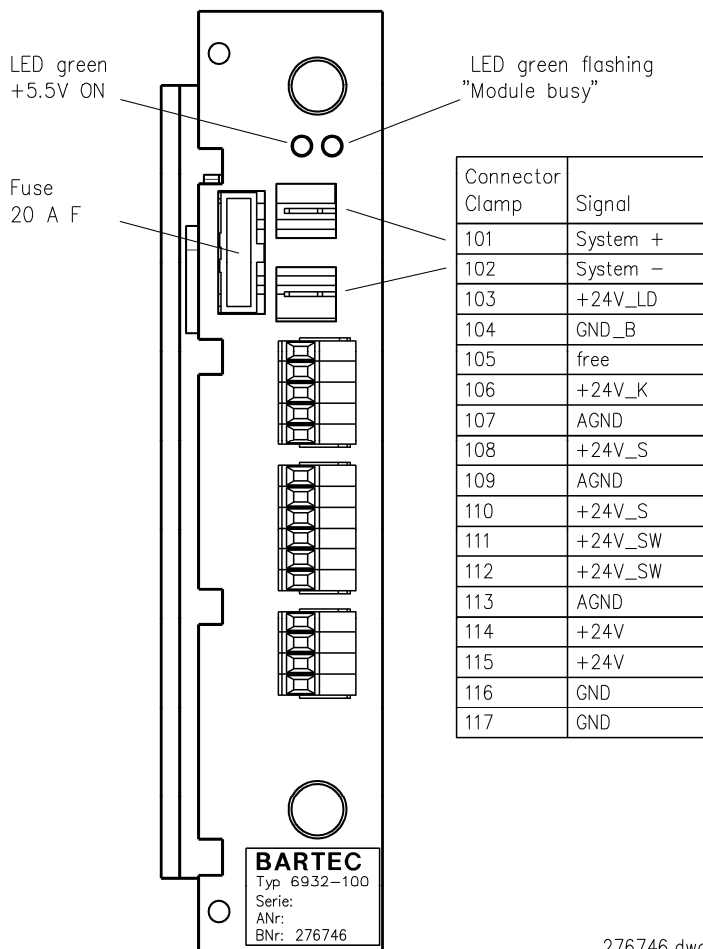
Technical Data	
Electrical Data	
Supply voltage	DC 24 V (DC 10 V ... DC 32 V)
Output voltage $U_{5,5V}$	DC 5,5 V \pm 1 % max. 6 A
Output voltage U_{24V_S}	DC 24 V \pm 2 % max. 4 A
Output voltage U_{LD}	$U_{OUT} = U_{IN} - 1$ V max. 5 A, max. 40 V
Output voltage U_K	$U_{OUT} = U_{IN} - 1$ V max. 5 A, max. 40 V
Ambient Conditions	
Ambient temperature	-20 ... +70 °C
Ambient temperature (inside the basic module)	-20 ... +50 °C
Storage temperature	-20 ... +50 °C
Mechanical Data	
Dimensions	See Drawing
Weight	Aprox. 6,8 N (0,68 kg)
Connection	Plug-In clamp, blade receptacle 101 - 118
Ordering details	
Designation	Order no.
Power supply 24 V, type 6932-100	276746

Dimensions



276746.dwg

Terminal connection



276746.dwg