

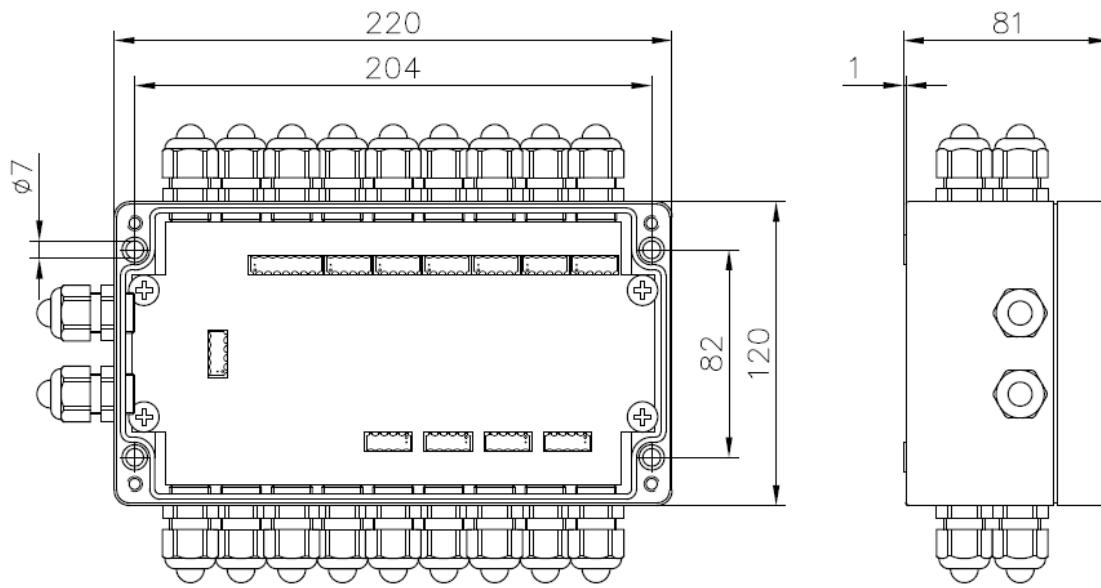
I-Box PID, type 6912-10

- Intelligent terminal box for connection of up to 20 PID inputs in accordance with EN 14116
- Compact, lightweight and robust aluminium enclosure
- ATEX approved



Technical data	
Electric data	
Power supply	DC 12 from I-Box interface type 6932-109/ -112 Explosion protection: Ex ia intrinsically safe electric circuit; for detailed electric data, see operating instructions;
Data interfaces	RS485, 153600 Baud Explosion protection: Ex ia intrinsically safe electric circuit; for detailed electric data, see operating instructions;
Sensors PID	20 x PID (Product Identification Device) Explosion protection: Ex ia intrinsically safe electric circuit; for detailed electric data, see operating instructions;
Fuses	none
Cable entry	20x M16x1,5 plastic
Connection	Terminals 1,5 mm ² pluggable
Ambient conditions	
Ambient temperature	- 20 ... + 50 °C
Storage temperature	- 20 ... + 50 °C
Protection type	IP65 in accordance with EN60529
Equipment group / category / type of protection	II 2 (1) G Ex ia [ia Ga] IIB T4 Gb
EC-type examination certificate Norms	BVS 10 ATEX E 106 EN 60079-0, EN 60079-11, EN 60079-14, EN 60079-26
Mechanical data	
Dimensions	see dimensional drawing
Weight	about 1.6 kg

Dimensions (without cable glands)



Ordering details

Designation	Order number
I-Box PID type 6912-10	292964