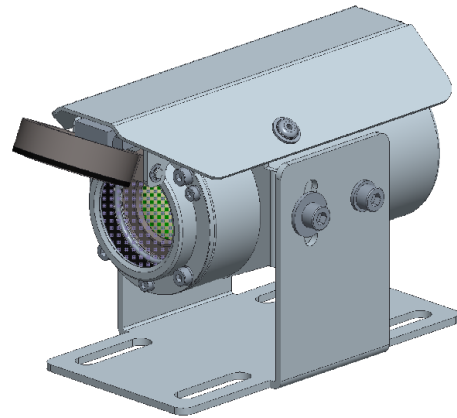


## Technical data sheet

### Camera Opticontrol, type 6912-101

- ▶ 12MP, CMOS, monochrom
- ▶ Gigabit ethernet
- ▶ Power over ethernet
- ▶ Flameproof housing (Ex d)
- ▶ Robust
- ▶ Pneumatically controlled protective flap



### Application

The Opticontrol camera is used in conjunction with the Opticontrol unit, type 6912-100, and the VOLUTANK 3003 system on the tanker truck. The system supports the operator during the delivery process at the gas station and helps to reduce product mixes.

### Function

The Opticontrol camera delivers high-resolution images of the fuel filler neck and the hoses at the gas station. The image files are transferred to the Opticontrol unit via a gigabit ethernet line.

The pneumatically controlled protective flap of the camera combined with the cabinet flap or the instrument cabinet enables the protective flap to be opened and closed automatically.

### Features

- ▶ 12MP
- ▶ Monochrom
- ▶ Power over ethernet
- ▶ GigE vision standard
- ▶ Housing Ex d
- ▶ Robust
- ▶ Protective flap
- ▶ Ex-approval
  - II 2 G Ex db IIB T4 Gb
  - KIWA 19 ATEX 0055 X
  - IECEX KIWA 19.0030X
- ▶ Standards
  - EN / IEC 60079-0
  - EN / IEC 60079-1

## Technical data

### Device specific data

Sensor	1.1" CMOS / 12MP / global shutter / monochrom
Lens	Fixed lens / 60,5° (H) x 46,2° (V)
Interface standard	GigE vision 1.2

### Electrical data

Operating temperature	48V DC (44V ... 57V) PoE class 2 according to IEEE 802.3af
Power	4W ... 4.9W
Interface	Gigabit ethernet (1000MBit/s) 10/100 MBit/s are not supported.
Connection type	Open cable / Cat. 5e / 2x4x0.128mm <sup>2</sup> / length 20m / cladding diameter 5.7mm

#### Assignment

PIN	Wire
1	wh/og
2	og
3	wh/gn
4	bu
5	wh/bu
6	gn
7	wh/bn
8	bn

### Pneumactical data

Operating mode cylinder	Double acting
Connection type	2 plug connections for hose outside diameter 4 mm
Maximum Pressure	10bar
Minimum Pressure	1.5bar

### Ambient conditions

Operating temperature	-20°C ... +50°C
Storage temperature	-20°C ... +50°C
ATEX / IECEx	KIWA 19 ATEX 0055 X / IECEx KIWA 19.0030X
Protection class	IP65

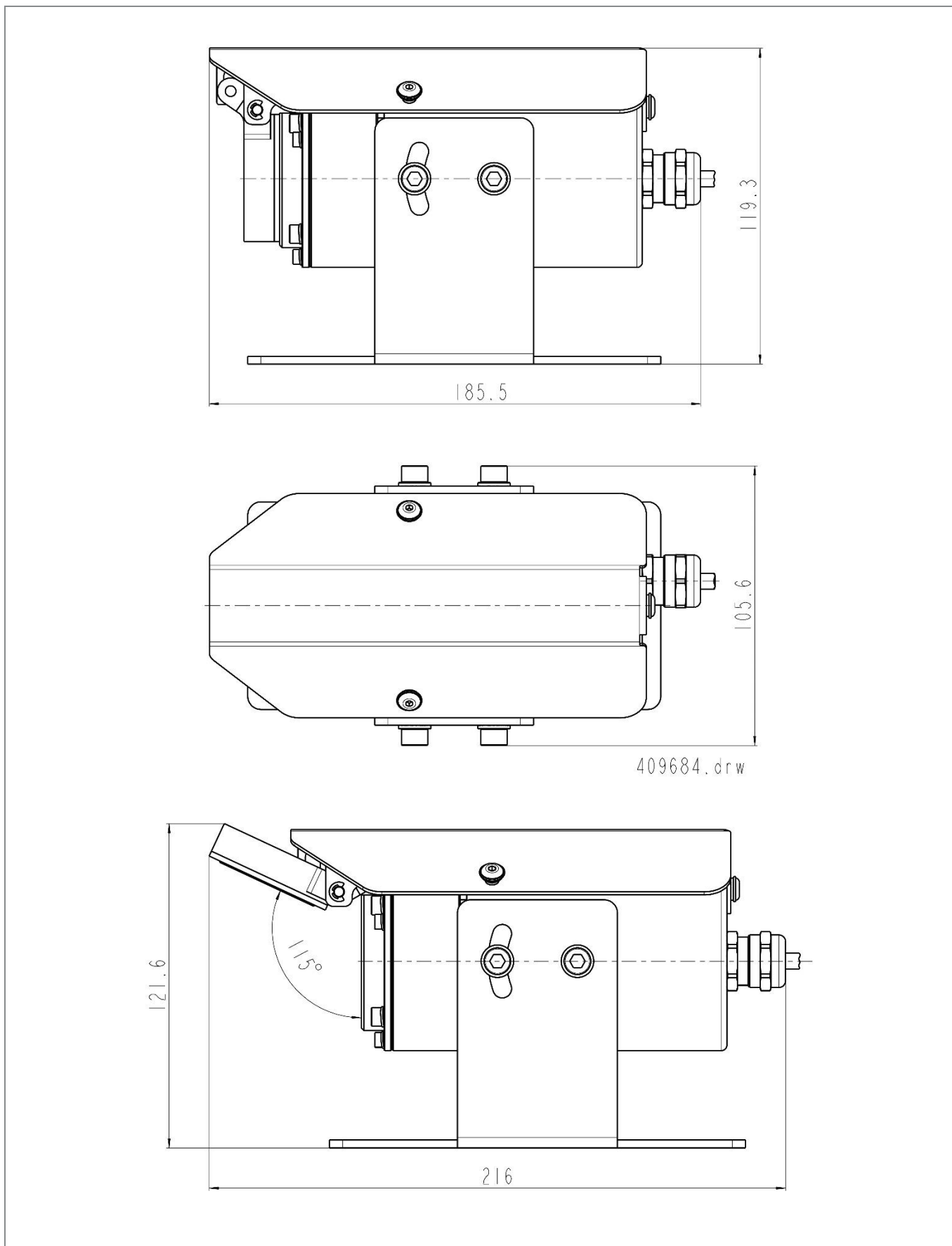
### Mechanical data

Dimensions	See drawing
Mounting	See drawing
Weight	Approx. 3kg
Material	Aluminium

## Order details

Designation	Order number
Camera Opticontrol, type 6912-101	409684

### Dimensions



### Montage

