

## Technical data sheet

### Opticontrol, type 6912-100

---

- ▶ Nvidia Jetson TX2i Serie, CPU + GPU
- ▶ Gigabit Ethernet
- ▶ Power over Ethernet
- ▶ Flameproof housing (Ex d)



### Application

The Opticontrol, type 6912-100, is used in conjunction with the Opticontrol camera, type 6912-101, and the VOLUTANK 3003 system on a tanker truck. The system supports the operator during the delivery process at the petrol station and helps to prevent product mixes.

### Function

The Opticontrol processes in combination with convolutional neural networks and classical image processing the high-resolution images from the camera.

Opticontrol extracted the slots-, adapters- and hose-information from the image data and send the results over an Ethernet connection to the VOLUTANK 3003 system.

The VOLUTANK 3003 system evaluates the Opticontrol data in conjunction with a database and allows or forbid delivery.

### Features

- ▶ Nvidia Jetson TX2i
- ▶ Gigabit Ethernet
- ▶ Power over Ethernet
- ▶ Flameproof housing (Ex d)
- ▶ GigE vision standard
- ▶ IP65
- ▶ Ex-approval
  - II 2 G Ex db IIA + C2H6O T4 Gb
  - PTB 12 ATEX 1023 X
  - IECEX PTB 14.0009X
- ▶ Standards
  - EN / IEC 60079-0
  - EN / IEC 60079-1

## Technical data

### Device specific data

CPU	HMP Dual Denver 2 (Dual-Core) ARM® Cortex® -A57 MPCore (QUAD-Core)
GPU	NVIDIA Pascal™, 256 CUDA cores
LAN	1x Gigabit Ethernet 1x PoE IEEE 802.af PSE Gigabit Ethernet
WLAN	802.11 a/b/g/n
Serial	1x RS232 (Rx, Tx, CTS, RTS) 1x RS232 (Rx, Tx)

### Electrical data

Operating Voltage	DC 24V (DC 9V ... DC 36V)
Power consumption	max. 41W (typ. 24W)
PoE	DC 48V (DC 44V ... DC 57V) max. 15,4W PSE-Class: 1,2,3

### Ambient conditions

Operating temperature	-20°C ... +50°C
Storage temperature	-20°C ... +50°C
Equipment group / category / type of protection	II 2 G Ex db IIA + C <sub>2</sub> H <sub>6</sub> O T4 Gb
Certificates	PTB 12 ATEX 1023 X / IECEx PTB 14.0009X
Protection type	IP65

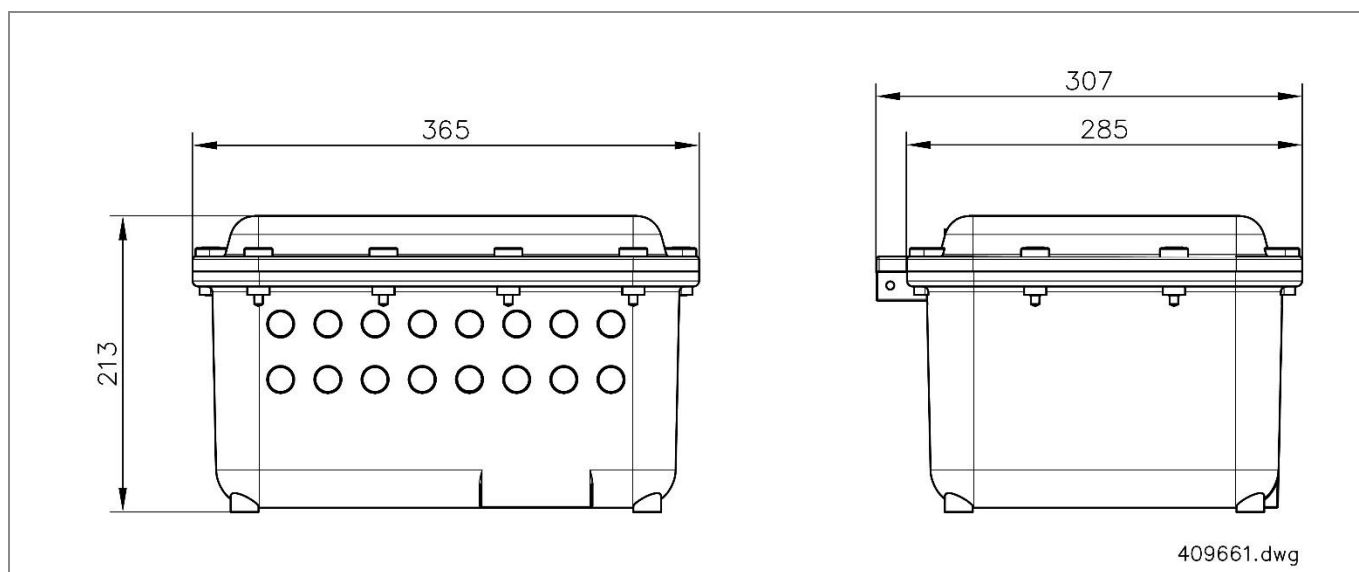
### Mechanical data

Dimensions	See dimensional drawing
Mounting	See dimensional drawing
Weight	Ca. 18kg
Enclosure material	Aluminium cast
Connections	<p>Push-IN</p> <ul style="list-style-type: none"> <li>▶ Stripping length: 10mm</li> <li>▶ Wire cross section: 0,14mm<sup>2</sup> ... 2,5mm<sup>2</sup></li> </ul> <p>Screw connection</p> <ul style="list-style-type: none"> <li>▶ Stripping length: 8mm</li> <li>▶ Wire cross section: 0,2mm<sup>2</sup> ... 2,5mm<sup>2</sup></li> </ul> <p>RP-SMA – Socket</p>

## Order details

Designation	Order number
Opticontrol, Typ 6912-100	409661
A2LBF20SM20x1,5 cable gland Ms 7,2-11,7	287373
A2LF16/M20x1,5 cable gland Ms 4-8,4	216427
Sealing cap MsNi Ex-d M20x1,5	287374

## Dimensions



## Mounting holes

