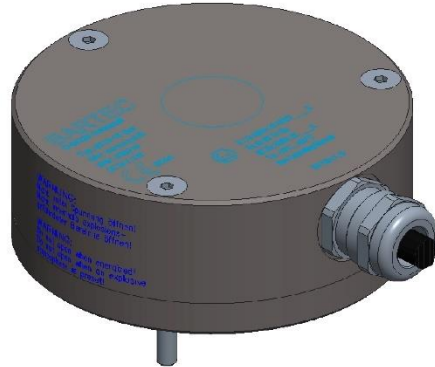


1 TAG-Reader Ex, type 6910-16

- Reading RFID-TAGs Mobile Ex, type 6952-52
- Quick and secure driver identification
- Flameproof housing (Ex d)
- Robust design



Application

The TAG-Reader Ex, type 6910-16 is used in combination with the RFID-TAG Mobile Ex, type 6952-52, for a quick and fast driver identification.

Function

The reader generates a high frequency alternating electromagnetic field, which is received by the antenna of the RFID transponder. This alternating field activates the microchip in the transponder and the reader can read out the saved data. The data exchange from and to the reader takes place over a RS485-Interface.

Features

- 13.56MHz
- ISO 15693
- RS485-Interface
- Flameproof housing
- Ex-Approval
II 2 G Ex db IIB T4 Gb
PTB 20 ATEX 1015 X
IECEX PTB 20.0036X
- Standards
EN IEC 60079-0
EN 60079-1

Technical Data											
Device-specific data											
Protocol	ISO 15693										
Frequency	13.56MHz										
Read-/write-distance	Direct coupling										
Electrical data											
Operating voltage	DC 24V +- 5%										
Current consumption	21mA ... 25mA										
Power consumption	0.5W ... 0.6W										
Interface	RS485 (9600bit/s)										
Connection type	Open cable / 3x2x0,56mm ² / length 5m / cladding diameter 7,9mm +-3%										
Assignment	<table border="1"> <thead> <tr> <th>Color</th> <th>Signal</th> </tr> </thead> <tbody> <tr> <td>rd</td> <td>+24V</td> </tr> <tr> <td>bu</td> <td>GND</td> </tr> <tr> <td>gn</td> <td>A</td> </tr> <tr> <td>ye</td> <td>B</td> </tr> </tbody> </table>	Color	Signal	rd	+24V	bu	GND	gn	A	ye	B
Color	Signal										
rd	+24V										
bu	GND										
gn	A										
ye	B										
Ambient condition											
Operating temperature	-10°C ... +50°C										
Storage temperature	-20°C ... +70°C										
Equipment group / category / type of protection	II 2 G Ex db IIB T4 Gb										
Certificates	PTB 20 ATEX 1015 X IECEX PTB 20.0036X										
Protection class	IP66										
Mechanical data											
Dimensions	See drawings										
Mounting	3x screws M5										
Material	POM										
Weight	ca. 0,5kg (without cable 5m)										
Ordering details											
Designation	Ordering number										
TAG-Reader Ex, type 6910-16	438318										
RFID-TAG Mobile Ex, type 6952-52	447506										

Dimensions / Mounting

