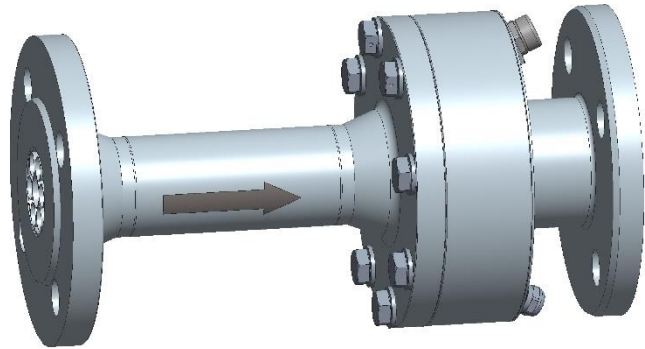


## Turbine 400l / DN40 LPG, Type 6907-23

- Measuring tube for LPG
- Flow rate up to 400 l/min
- ATEX / IECEx approval
- 3-channel pulse train



### Description

The turbine 400l / DN40 LPG, Type 6907-23, together with the 3/2K-Interface Dual Ex i Type 6932-105, forms a measuring system for the accurate measurement of flow rates and flow velocities.

### Application

For measuring LPG products.

### Function

The turbine is installed in the product line. The product flow drives the impeller in the measuring tube. This rotary motion is converted internally into a pulse train proportional to the speed.

### Features

- Compact design
- Tamper-proof
- Maintenance-free
- Reliable
- Fail-safe

### Approvals

MID-approved  
CE-approved  
ATEX / IECEx approval

Technical data															
<b>Product data</b>															
Measuring ranges	Max. 400l/min														
Accuracy/resolution	≤ 0.6% (80 l/min - 400 l/min)														
Smallest delivery quantity	100 l														
Fluid pressure	Max. 25 bar														
Products	LPG products														
<b>Electrical data</b>															
Supply voltage / current consumption	4 V... 13 V DC / 30 mA 5 V DC (from 3/2K-Interface Dual Ex i Type 6932-105)														
Connection	5 m cable 7 x 0.25 mm <sup>2</sup> shielded, open ends Shield is not connected to the measuring tube <table border="1" style="margin: 10px auto; width: 150px;"> <thead> <tr> <th>Colour</th> <th>Function</th> </tr> </thead> <tbody> <tr> <td>gn</td> <td>+U</td> </tr> <tr> <td>yl</td> <td>K1</td> </tr> <tr> <td>wt</td> <td>K2</td> </tr> <tr> <td>gr</td> <td>K3</td> </tr> <tr> <td>bn</td> <td>GND</td> </tr> <tr> <td>Shield</td> <td>Shield</td> </tr> </tbody> </table> <p>Explosion protection: Intrinsically safe circuit; refer to service instructions for detailed electrical data</p>	Colour	Function	gn	+U	yl	K1	wt	K2	gr	K3	bn	GND	Shield	Shield
Colour	Function														
gn	+U														
yl	K1														
wt	K2														
gr	K3														
bn	GND														
Shield	Shield														
Outputs	Open Collector														
<b>Ambient conditions</b>															
Operating temperature	-25 ... +50 °C														
Storage temperature	-25 ... +50 °C														
Ambient pressure	950 ... 1050 hPa														
Equipment group / category / type of protection	II 1/2 G Ex ia IIB T4 Ga/Gb														
Standards	IEC / EN IEC 60079-0, IEC / EN 60079-11, IEC / EN 60079-26														
Certification	BVS 15 ATEX E 094 X / IECEx BVS 15.0080X in preparation														
Protection type	IP 66														
<b>Mechanical data</b>															
Dimensions	See scale drawing														
Weight	11 kg														
<b>Dimensions</b>															
<b>Installation position</b>															
<b>Order details</b>															
<b>Designation</b>	<b>Order number</b>														
Turbine 400l / DN40 LPG, Type 6907-23	430477														