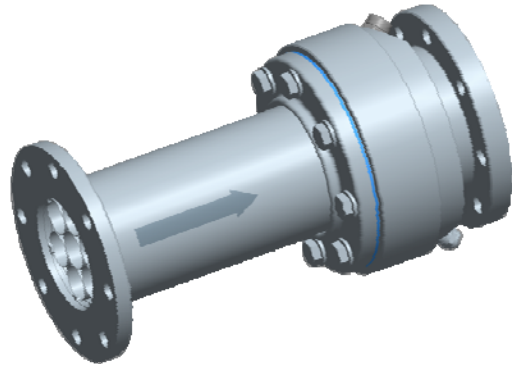


Turbine meter DN80, type 6907-21

- Turbine meter for jet fuel
- Measuring range up to 2000 l/min
- ATEX-approval
- 3-channel pulser output



Description

The turbine meter DN80, type 6907-21, goes together with the 3/2K-Interface Dual Ex i type 6932-105 and the BARTEC system 3003, forming a measuring system for aircraft refueling.

Application

For the metrological approved measurement of jet fuel.

Function

The turbine meter is installed in the pressure side of the product line. The flow of the measured liquid drives the turbine wheel. The rotation of the wheel is detected contactless and forms a 3-channel flow proportional pulse train.

Features

- Compact design
- Tamper-proof
- Maintenance-free
- Reliable

Approvals

MID-approved
CE-approved
ATEX-approved

Technical data															
Product data															
Measuring range	Up to 2000 l/min														
Accuracy	≤ 0.5 %														
Viscosity range	< 20 mPa*s														
Pressure range	Max. 10bar														
Products	Jet fuel														
Electrical data															
Supply voltage / Power consumption	5 V... 12 V DC / 30 mA 5 V DC (from 3/2K-Interface Dual Ex i Typ 6932-105)														
Connection	5 m cable 7 x 0.25 mm ² shielded (open end) Shield is not connected inside of the turbine meter <table border="1" style="margin-left: 20px;"> <thead> <tr> <th>Colour</th> <th>Function</th> </tr> </thead> <tbody> <tr> <td>gn</td> <td>+U</td> </tr> <tr> <td>ye</td> <td>K1</td> </tr> <tr> <td>wt</td> <td>K2</td> </tr> <tr> <td>gr</td> <td>K3</td> </tr> <tr> <td>bn</td> <td>GND</td> </tr> <tr> <td>Shield</td> <td>Shield</td> </tr> </tbody> </table> <p>Ex-principal: intrinsic safety; detailed electrical data refer to service manual</p>	Colour	Function	gn	+U	ye	K1	wt	K2	gr	K3	bn	GND	Shield	Shield
Colour	Function														
gn	+U														
ye	K1														
wt	K2														
gr	K3														
bn	GND														
Shield	Shield														
Outputs	Open collector														
Ambient conditions															
Operating temperature	-25 ... +50°C														
Storage temperature	-25 ... +50°C														
Fluid pressure	950 ... 1050 hPa														
Equipment group /category / ignition protection class	II 1/2 G Ex ia IIB T4 Ga/Gb														
Standards	EN 60079-0, EN 60079-11, EN 60079-26														
Certificate	Simple apparatus according to EN 60079-11:2012, clause 5.7														
Climatic category	IP 66														
Mechanical data															
Dimensions	See dimensional drawing														
Weight	Approx. 7.5 kg														
Dimensions															
Order details															
Designation	Order number														
Turbine meter DN80, Type 6907-21	382586														