

Namur press switch, type 6902-13

- Monitoring of compressed air of the valves on the tank truck
- Can also be used in static position
- 2-lead sensor (Namur)



Description

With the Namur pressure switch, the compressed air is controlled at the valve.

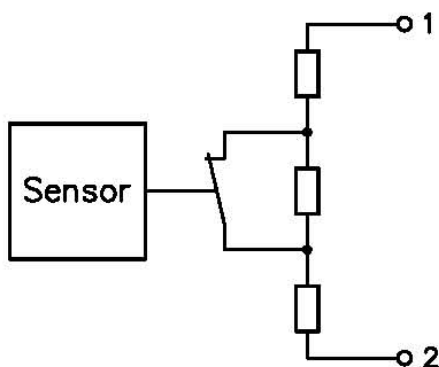
Mounting

The Namur pressure switch is screwed directly onto the valve. The pneumatic line is connected to the pressure switch.

Installation guide

In the ex-area, the norms EN 60079-14, EN 60079-11 and EN 60079-26 must be observed.

Circuit diagram



Technical Data

Device-specific data		
Switching pressure (Ps)	2 bar	
Electrical data		
Supply voltage (UV)	DC 5 V ... 12 V	
Rated voltage (UN)	DC 8.2V	
Ripple	≤ 0.5%	
Current consumption (typ.)		
Pressure > 2 bar	≤ 1mA	
Pressure < 2 bar	min. 2.5mA	
Connecting cable	8 m, open wires	
Terminal layout		
	Wire	Function
	1	+UN
	2	GND
Ambient conditions		
Permissible ambient temperature atmospheric conditions	- 20 °C.....+ 60 °C 0.8 bar ... 1.1 bar	
Protection class (in compliance with EN 60529)	IP 67	
Mechanical data		
Dimensions	see drawing	
Resistance	petrol, diesel, heating oil, ethanol, mineral oil	

Dimensions

The technical drawings illustrate the dimensions of the Namur press switch. The front view shows a diameter of $\varnothing 16.1$ and a length of 31.95. The side view shows a total length of 40, with a distance of 31.15 from the front face to the start of the main body, a main body length of approximately 54.8, and a distance of 20 from the end of the main body to the terminal. The terminal length is approximately 8000. A detail view shows a square terminal with a side length of 24 (Sw 24) and a diameter of 9.8, with a G1/8" connection. Another detail view shows a diameter of 16.3 and a G1/8" connection.

Order details

Description	Order number
Namur press switch, type 6902-13	316913