

## WLS Namur, Type 6902-12

- Monitoring of the filling level of flammable fluids in Zone 0 or Zone 1 under atmospheric conditions
- For use in tanks, reservoirs or pipelines on tankers
- Can also be used in static position
- 2-lead sensor (Namur)



### Operation

Monitoring of the fluid level is based on an optical principle. The sensor's infra-red light, which is emitted by infrared luminescent diodes, is directed through a cone. If the cone is located in air, the infra-red light will be reflected in such a way that it hits phototransistors. If the cone is located in a fluid (= quantity remaining = not empty), the infrared light is not reflected.

### Mounting

The WLS Namur is mounted by means of a G1/2" threaded connector attached to the tank reservoir or pipeline wall.

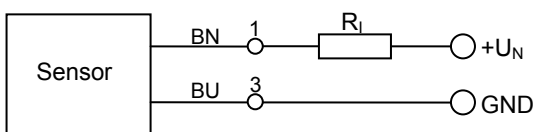
### Installation guide

In the ex-area, the norms EN 60079-14, EN 60079-11 and EN 60079-26 must be observed.

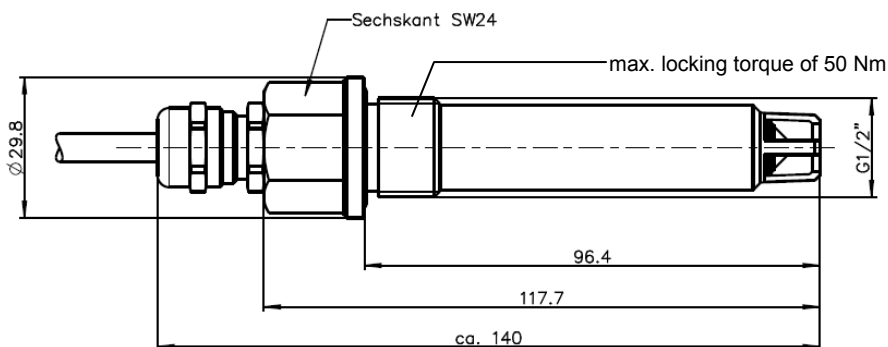
The WLS Namur should be incorporated into the pressure testing system of the tank, reservoir or pipeline.

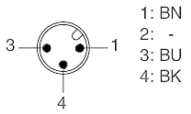
The sensor must be screwed with a maximum locking torque of 50 Nm.

### Circuit diagram



### Dimensions



Technical Data			
<b>Device-specific data</b>			
Sensing distance (Sn)	-8 mm		
Readiness delay	≤ 20 ms		
<b>Electrical data</b>			
Supply voltage (UV)	DC 5 V ... 12 V		
Rated voltage (UN)	DC 8.2V		
Ripple	≤ 0.5%		
Current consumption (typ.) Sensor is not wet Sensor is wet	≤ 1mA min. 2.5mA		
Connecting cable	0.80m with M12 plug		
Terminal layout 	PIN	Colour	Function
	1	brown	+UN
	2		NC
	3	blue	GND
	4	(black)	NC
<b>Ex- technical data</b>			
Intrinsically safe signal and supply circuit Category Ex ia IIB			
U <sub>i</sub> = 10 V			
I <sub>i</sub> = 85 mA			
P <sub>i</sub> =	Ex ia IIB		P <sub>i</sub>
	Temperature class		
	T3		85 mW
	T4		180 mW
C <sub>i</sub> = negligibly small; L <sub>i</sub> = negligibly small			
<b>Ambient conditions</b>			
Permissible ambient temperature atmospheric conditions	- 20 °C.....+ 60 °C 0.8 bar ... 1.1 bar		
Protection class (in compliance with EN 60529)	IP 67		
Permissible operating pressure pN	0.8 bar .... 20 bar		
Equipment group/-category/ type of protection	II 1/2 G, Ex ia IIB T3-T4 Ga/Gb		
Certificate	PTB 99 ATEX 2040		
Norms	EN 60079-0, EN 60079-11, EN 60079-26		
<b>Mechanical data</b>			
Dimensions	see drawing		
Housing material	glass/brass		
Resistance	petrol, diesel, heating oil, ethanol, mineral oil		
<b>Order details</b>			
<b>Description</b>		<b>Order number</b>	
WLS Namur, type 6902-12		292977	
<b>Accessories</b>			
Welded sleeve (6729-00-008)		U050006928	
O-ring 22.0 x 2.0		U220753	
Protective cover		U05006748	
Sensor cable with 5 m connector		292978	