

Slip Printer, Type 6881-30

- A handy, dot matrix printer, appropriate for verification for the mineral oil distribution from the tank truck.



Application

The printer type 6881-30 realizes the data recording which accrue at the mineral oil distribution. It prints delivery notes and bills for the customer and collective documents after the end of the distribution tour.

The printer writes on standard paper, self-copying paper or on cardboard up to a thickness of 0.35 mm on a width of approx. 66 mm. Forms of a width and length of at least 80 mm may be used. With self-copying paper, up to 4 copies are possible.

Function

Handling the printer is very simple. As the remote control is effected via the P-NET interface and the systems PETRODAT 3001 and PETRODAT 3002, the operation merely demands for taking out and putting in the paper.

If the print gets weaker (after approx. 1.5 million characters) the colour ribbon cassette can be exchanged without problem.

The handy desktop device was conceived for a DC-24-V-accumulator operation. It possesses a compact, shock-proof plastics housing and requires little space.

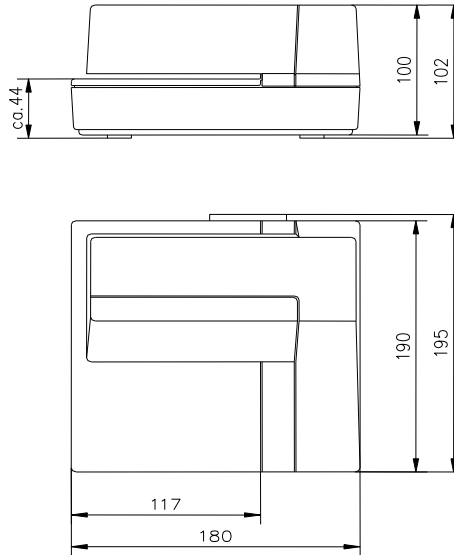
For application in plants, compulsory for verification, an admission by the Gauging authorities exists according to PTB No. 1.32.4 - 5.574 - ULT 90.45.

Features

- **Most simple operation**
- **Reliable EPSON needle printing unit**
- **Up to 4 copies with self-copying paper**
- **P-NET interface (RS 485)**

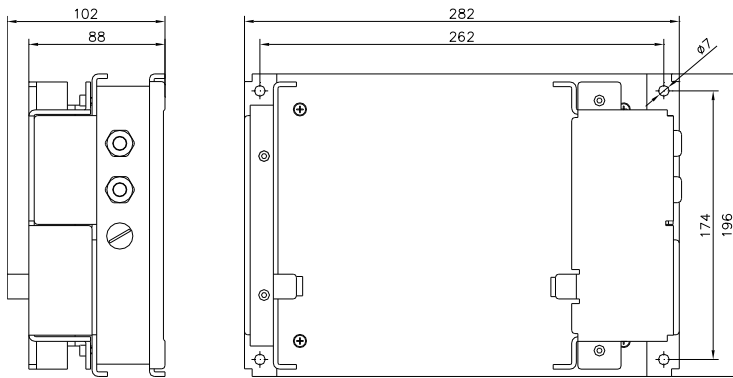
Technical Data	
Device-specific Data	
Printing format	Alphanumerical character set with 96 ASCII-characters (font 5 x 7 / 7 x 7) 32 international characters and 128 x 3 graphical characters (font 6 x 7 / 10 x 7) 4 letter sizes: Standard, font 5 x 7 (35 characters/line), Normal, font 7 x 7 (42 characters/line), Wide, font 5 x 7 (17 characters/line), Wide, font 7 x 7 (21 characters/line) Line feed: 4,2 mm
Printing procedure	Needle printer 7 x 7 printing direction unidirectional
Printing speed	1,9 ... 2,3 lines per second
Printing paper	Standard-, carbon- and self-copying paper Entire thickness 0,09 ... 0,35 mm Paper width at least 80 mm Paper length at least 80 mm Printing width max. 60 mm Max. of 4 copies with self-copying paper (25° C)
Colour ribbon	Colour ribbon cassette black, Life expectancy approx 1,5 x 10 ⁶ characters
Data interface type 6881-100	Serial interface P-NET (RS 485), Galvanically separated, 76800 bit/s Cable length max. 1200 m, P-NET-Ident-No. 5812
Data interface type 6961-100	Serial interface (RS 232) Cable length max. 10 m
Electrical Data	
Power supply	DC 24 V ± 10 %, max. 1,0 A, ripple ≤ 150 mV eff.
Connection	25 pole socket (RS 232), 3 pole plugs (power supply DC 24 V)
Ambient Conditions	
Operating temperature	+ 5° C ... + 40° C
Storage temperature	- 10° C ... + 50° C
Climatic class	KYF
Protective system	IP 40
Mechanical Data	
Dimensions	180 x 102 x 195 mm (B x H x T)
Weight	approx 20 N (≅ 2 kg)
Housing	Plastics table-top housing, grey

Dimensions
Slip Printer Type 6881-30



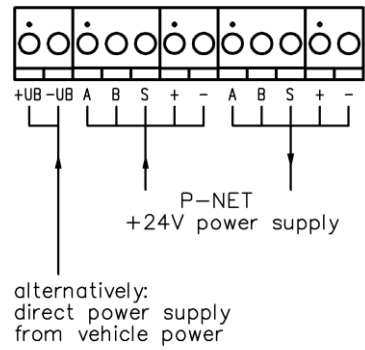
db68811.dwg

Dimensions
Holder for Printer Type 6881-100



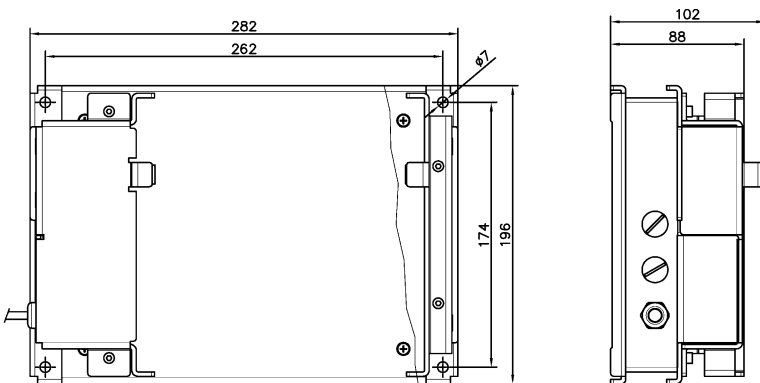
235935.dwg

Terminal assignment



2.35934.dwg

Dimensions
Holder for Printer Type 6961-100



279562.dwg

Terminal assignment

Signal	Colour
+24V	red
0V	blue
TxD	green
RxD	yellow
GND	black

Order details	
Designation	Order number
Slip Printer, type 6881-30, including colour ribbon cassette	235934
Slip Printer, type 6881-31, Grecian font including colour ribbon cassette	239747
Accessories/spare parts	
Colour ribbon cassette	U496314
Holder for printer, type 6881-100, consisting of aluminium-cast frame with P-NET-interface, terminal box DC 24 V and cable inlet	235935
Holder for printer, type 6961-100, consisting of aluminium-cast frame with RS232 interface, terminal box DC 24 V and connecting cable 10 m	279562
Plastic cover for printer	U05006864