

Controller Type 67xx, series A and C

Powerful, compact processor with liquid crystal display and keyboard.

For use as central operating, control and display unit in modular systems where high precision and availability are required under severe conditions.

Communication with all system modules via serial field bus (P-NET), including multi-master operation.

Can be used in potentially explosive zone 1 areas, in both stationary and mobile environments.



Controller AN

Example:



Controller

The controller complies with CE regulations and OIML recommendations which is why it is appropriate for international verification in compliance with official standards regarding measuring instruments for other fluids than water. The system's design as an electric counter with measuring value storage function and additional functions has been nationally approved. It can be used in conjunction with measuring instruments that require verification.

The back-lit keyboard is equipped with either numerical (controller) or alpha-numerical (controller AN) keys. Four additional keys for variable functions are available (softkeys).

The liquid crystal display is back-lit, graphics-enabling, and has a function for constant temperature. It can be used for temperatures.

Areas of application

The controller can be combined with a large number of other system components and has many areas of application.

In kerosine delivery trucks, for temperature-compensating, electronic quantity measurements during delivery to consumers for automatic billing and addition of additives.

As a quality control system in gas station vehicles while they are being filled in the storage facility and while they are delivering gas to gas stations. The controller is compatible to many components which renders it very useful for controlling, monitoring, and automating processes.

Function

The controller is a master unit and receives data from other modules, such as sensors or external storage media. The controller processes and stores data according to the program installed.

Data can be displayed, printed, or saved on external storage media. For automatic processes, the controller sends default data or control signals to P-NET modules.

Use in the Ex-area zone 1, category of protection type EEx em [ib] IIB T4.

Device group-/category II 2 G
BVS 03 ATEX E 215 (valid for 67x3-xx).

Powerful 16/32-bit real-time processor.

1 MB RAM with battery backup.

Scalable to diverse applications (software configuration).

Operating software can be replaced by upload via field bus without opening the device.

Allows writing application programs using C++.

Real-time clock.

Special security concept for operation that requires verification.

Technical Data	Controller		Controller AN	
	Serie A Type 6731-10 Type 6732-10 Type 6735-10	Serie C Type 6733-10	Serie A Type 6741-10 Type 6742-10 Type 6745-10	Serie C Type 6743-10
Data processing	16/32-bit-prozessor, 1MB flash-EEPROM → option 2 MB 1 MB RAM battery backup, 2kB EEPROM in CPU, 2x2 kB EEPROM on power supply pcb, real-time clock, watchdog			
Environmental conditions				
Working temperature:	- 20 ... + 60 °C	- 20 ... + 50 °C	- 20 ... + 60 °C	- 20 ... + 50 °C
Storage temperature:	- 20 ... + 60 °C			
Climatic category:	JUF			
Category of protection:	IP65			
Display	LC graphics display, 160 x 128 pixel; back-lit, constant temperature function, temperature controlled contrast function, display window: approx. 96 x 77 mm.			
Interfaces	Serial, asynchronous fieldbus interface, baudrate 76800 bit/s, maximum line length 1200m.			
	1. P-NET	1	1	1
	2. RS232	1	1	
Option:	3. extended model	1	1	
Power supply	nominal voltage DC 24V ± 20 %			
	nominal current	0,3 A	0,5 A	0,3 A
	max. voltage U _m		50 V	50 V
	max. through-current		7 A	7 A
Electrical connection				
Screw-type terminals*	X		X	
Increased safety screw-type terminals		X		X
Lead cross-section A _Q		0,5 mm ² ≤ A _Q ≤ 1,5 mm ²		0,5 mm ² ≤ A _Q ≤ 1,5 mm ²
Clamp area of the cable glands		∅ 4 to ∅ 8 mm		∅ 4 to ∅ 8 mm
Category of protection		EEx em [ib] IIB T4		EEx em [ib] IIB T4
Numerical keyboard, back-lit	X	X		
Alphanumeric keyboard, back-lit			X	X
EC-type-examination certificate		BVS 03 ATEX E 215		BVS 03 ATEX E 215
General parameters				
Weight	47 N (4,7 kg)	47 N (4,7 kg)	62 N (6,2 kg)	62 N (6,2 kg)
Dimensions (W x H x D)	210 x 227,5 x 129,5 (mm)		210 x 287 x 129,5 (mm)	
Casing	Robust aluminium diecast casing with blue powder coating. Controller mounting frame: aluminium diecast.			
Installation	Controller mounting frame to be fixed with 4 x M8 fixing screws.			

*) maximum line diameter: 1,5 mm²

Design

Modular design consisting of controller mounting frame, base part, and top part.

The top part consists of keyboard, display, motherboard and front panel. The top part can easily be removed. The base part is aluminium diecast and contains the power supply pcb with the calibration data memory. The controller mounting frame forms the back of the controller and has four fixing holes for easy installation.

Electrical connection

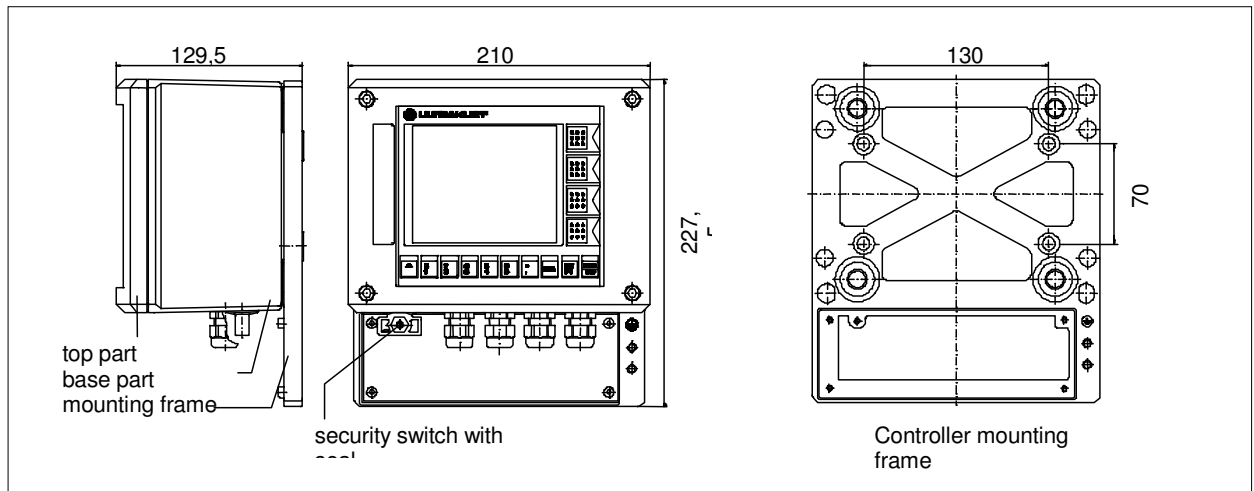
Cable connection in controller base part. Screw-Type terminal screws on power supply pcb. Cable feed via PG9.

Calibration data security

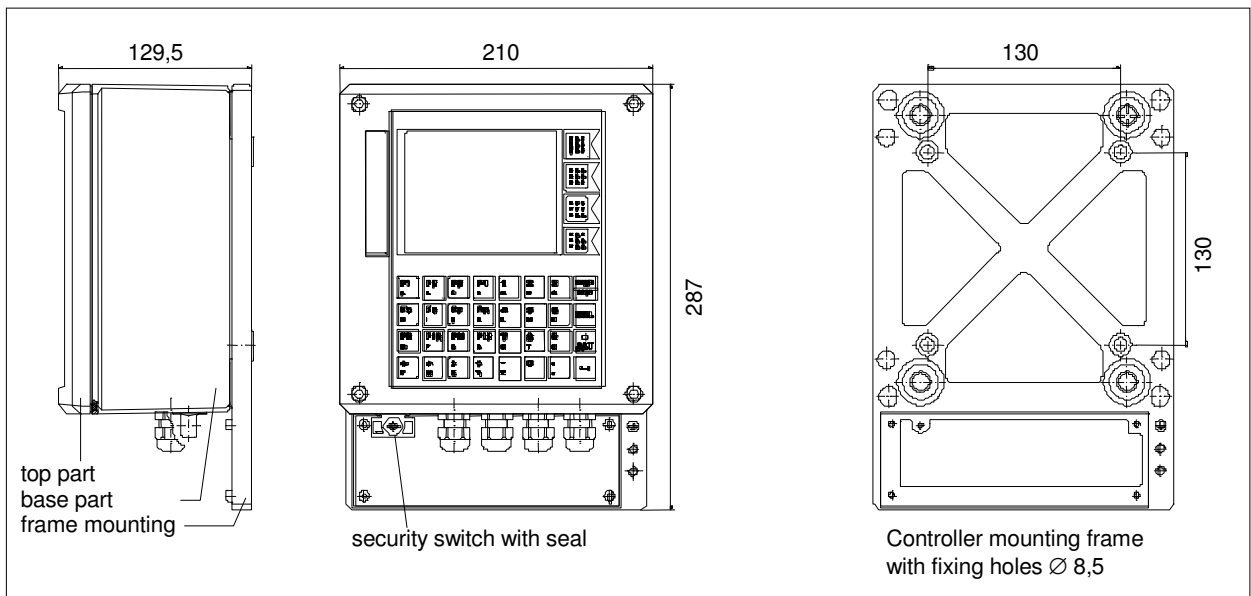
A switch which can be sealed is used to protect verification data. When secured, no data can be overwritten, and the memory chip with the verification data cannot be removed. In case new verification data must be stored, the seal must be removed, and the switch must be turned anti-clockwise by 90 degrees. The switch can be operated from the outside.

Dimensions

Controller Type 6731 / 6732 / 6733 / 6735

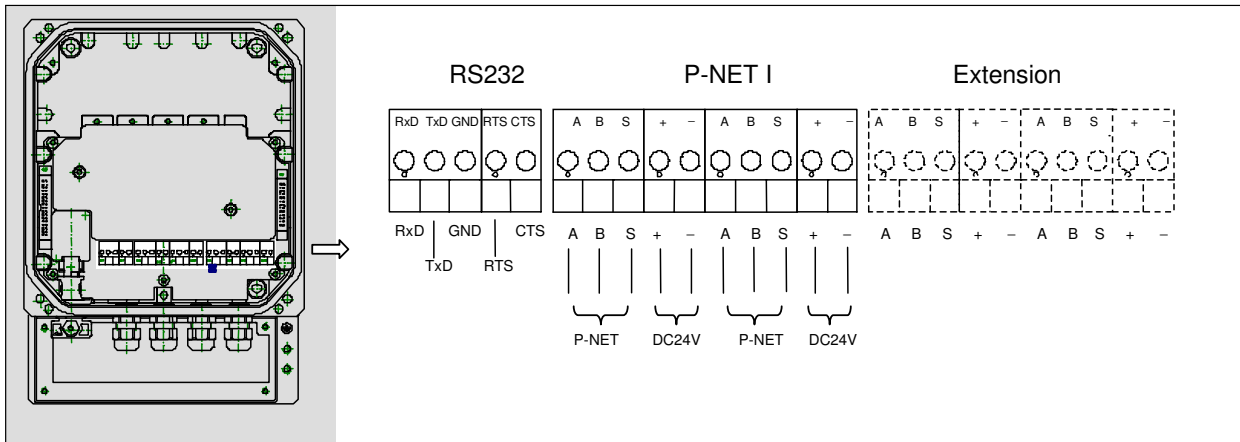


Controller AN Type 6741 / 6742 / 6743 / 6745

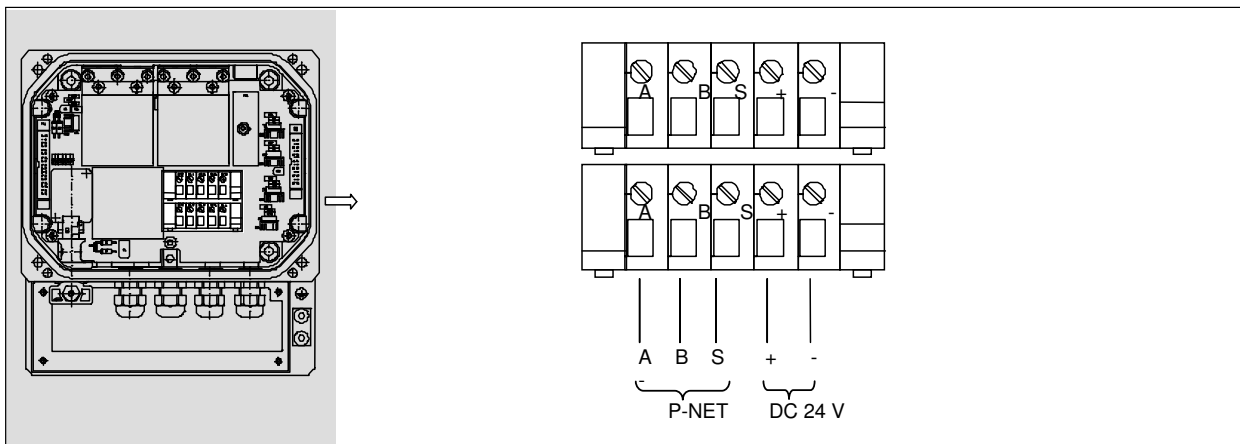


Electrical Connection

Controller Type 6731 / 6732 / 6735, Controller AN Type 6741 / 6742 / 6745



Controller Type 6733 / Controller AN Type 6743



Order designations

Controller MAK	Type 6731-10.....	Order no. U932 17 673110
Controller PETRO	Type 6732-10.....	Order no. U891 17 673210
Controller EX PETRO	Type 6733-10.....	Order no. U891 17 673310
Controller	Type 6735-10.....	Order no. U889 17 673510
Controller AN MAK	Type 6741-10.....	Order no. U932 17 674110
Controller AN PERO	Type 6742-10.....	Order no. U891 17 674210
Controller AN EX PETRO	Type 6743-10.....	Order no. U891 17 674310
Controller AN	Type 6745-10.....	Order no. U889 17 674510