

Terminal box, type 6789-79/80

- Basic unit type 6789-79 for the connection of six dipsticks of the type 6706-10.
- Extension unit type 6789-80 for the connection of six further dipsticks of type 6706-10.
- Connection of the Interface dipstick Ex, type 6728-21/22 or of the interface dipstick without Ex-approval, type 6728-23/24 is possible.
- Robust, explosion-proof aluminium diecast casing.



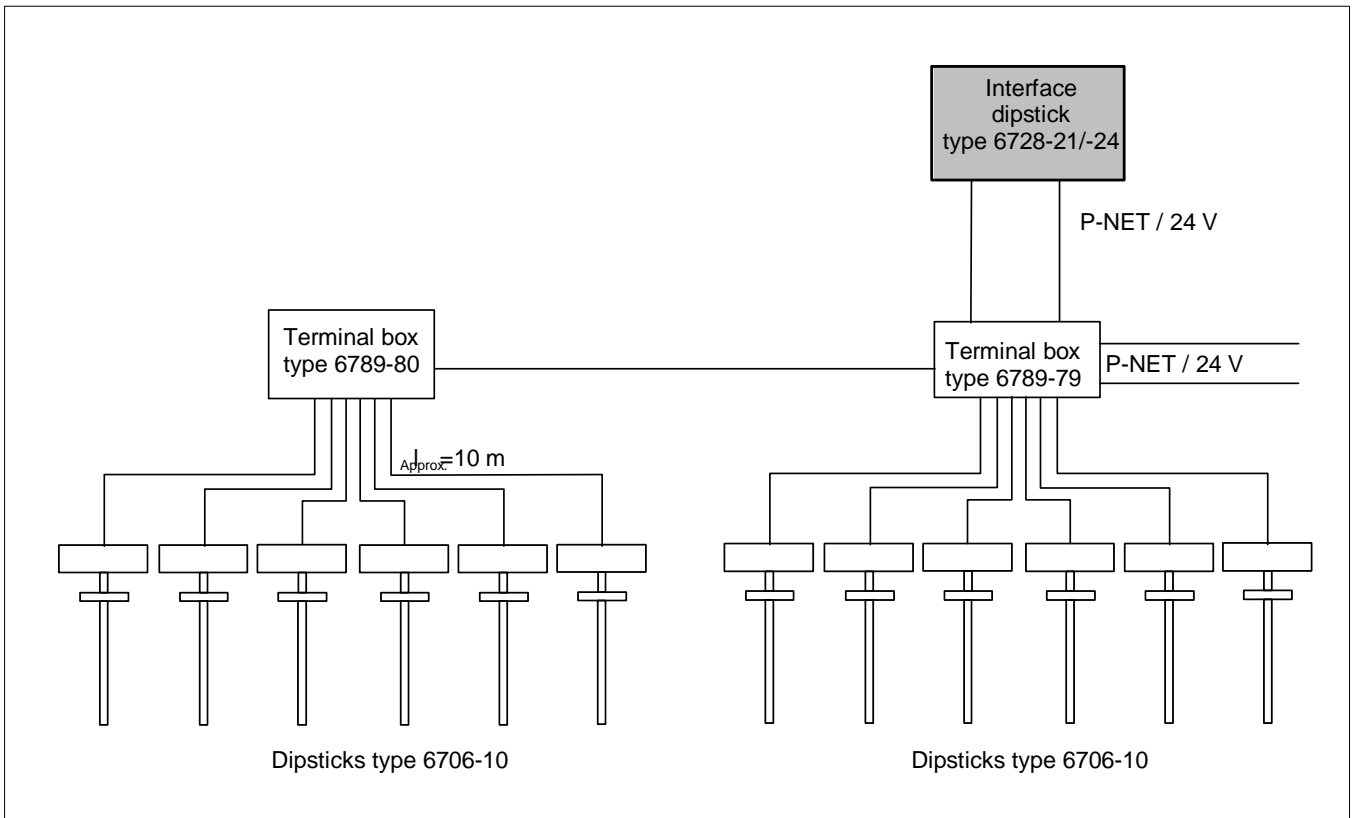
Type 6789-79



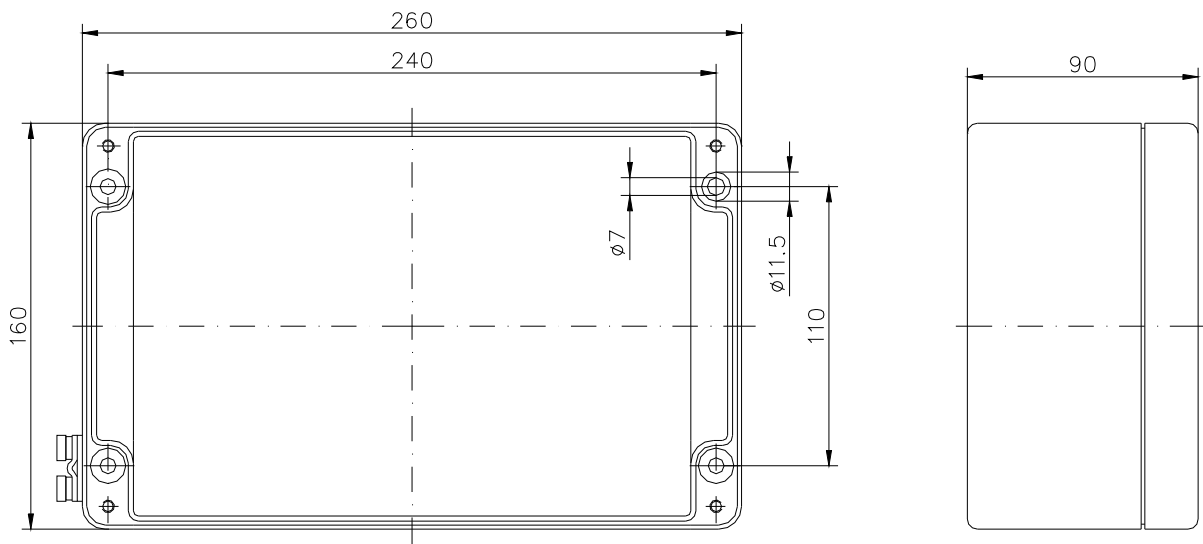
Typ 6789-80

Technical data	
Mechanical data	
Ignition protection type	EEx e II T6
Protective type	IP 64 in accordance with EN 60529: 1991-06 (IEC 529: 1989)
Casing	Aluminium diecast, surface untreated
Impact resistance	> 7 Nm in accordance with DIN 1725
Dimensions	260 x 160 x 90 mm
Weight	2.7 kg
Ambient conditions	
Admissible operating temperature	- 20 ... + 50 °C
Admissible storage temperature	- 30 ... + 70 °C
Climatic class	HWE in accordance with DIN 40040
Electrical data	
Line cross-section	Max. 2.5 mm ²
Terminal cross-section per terminal	0.5...1.5 mm ²
Nominal voltage	DC 24 V
Maximum voltage	DC 60 V
Nominal current per conductor / terminal 1 to 15	4 A
Nominal current per conductor / terminal 16 to 99	2 A
Ordering details	
Terminal box, basic unit 6-channel Ex, type 6789-79	U891 16 78979
Terminal box, extension unit 6-channel Ex, type 6789-80	U891 16 78980

Block diagram: Interconnection of the components



Dimensions



db678902.dwg