

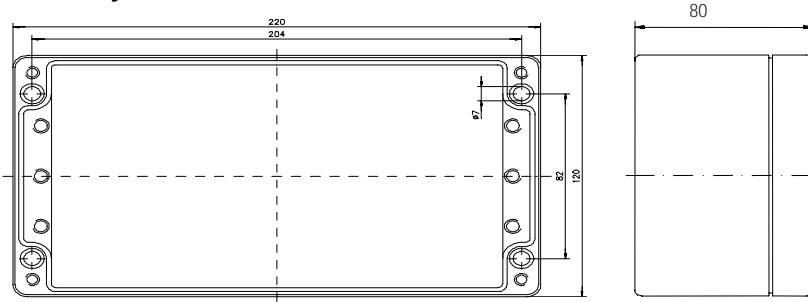
Terminal box, type 6789-77/78

- Suitable for transport safety system SPD (Sealed Parcel Delivery).
- Interface between different sensors and appropriate evaluation electronics.
- Connection of up to 6 or 12 residual quantity sensors, bottom valve sensors or TAG readers.
- Transmission of signals from the sensors to the superior control unit.

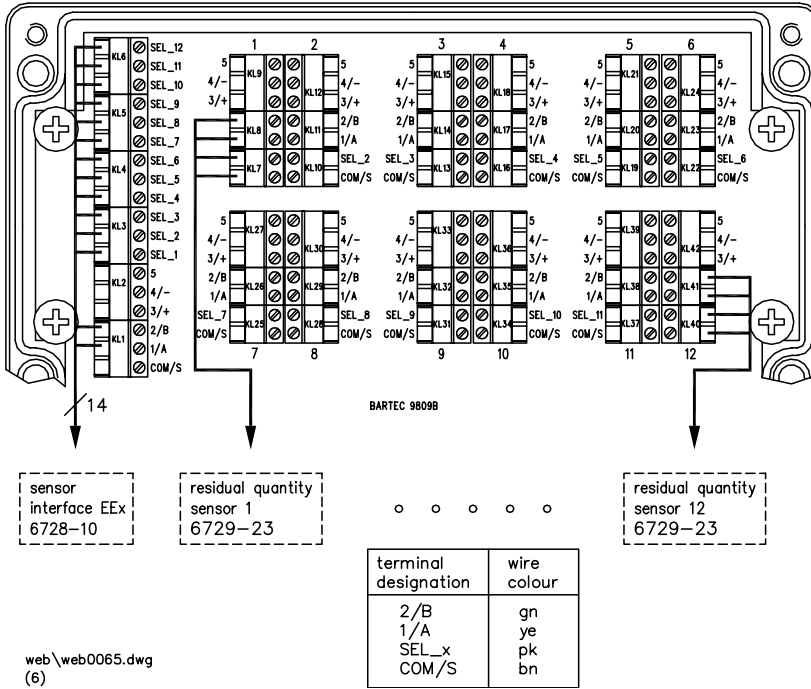


Technical data	
Mechanical data	
Casing	Aluminium diecast, surface untreated
Dimensions (L x W x H)	220 x 120 x 80 mm
Weight	Approx. 1,7 kg
Protective system	IP65 in accordance with DIN 40050
Ignition protection type	EEx ib IIB T4
Ambient conditions	
Admissible operating temperature	- 20 ... + 50 °C
Admissible storage temperature	- 30 ... + 70 °C
Climatic class	HWD in accordance with DIN 40040
Electrical data	
Electrical connection	EEx i TOP screw terminals max. 2.5 mm ²
Cable entry	12 x PG9 , 1 x PG11
Ordering details	
Terminal box LMS/BVS/TAG, type 6789-77 (6 chambers)	U891 16 78977
Terminal box LMS/BVS/TAG, type 6789-78 (12 chambers)	U891 16 78978

Assembly



Connection of residual quantity sensors, type 6729-23



Connection of product identification sensors, type 6729-11

