



Output-Interface EEx type 6752-10/4, -10/8

Switching up to eight valves with high level of reliability and availability also in heavy-duty environments.

Supervision of the switching-state.

Control and communication via serial field bus (P-NET).

Authorized for the use in hazardous areas classified to zone 1. Usable in stationary and mobile units.



Example: type 6752-10/4

Application

The output-interface type 6752-10 serves for switching electrical loads. E. g. the control of Ex-solenoid valves.

The interface has 4 or 8 switch outputs to witch up to 8 electrical loads independently from each other.

Integrated in the applications of the PETRODAT 3002 systems it allows a lot of functions in monitoring and automatizations of process.

Function

The control of the circuit outputs is performed via microprocessor.

Any connected load is monitored. In this way, interruptions and short-circuits are detected. The interruption of the power supply voltage is also detected.

The switching of the electrical loads is performed via semiconductor switches.

The interface has an internal over-voltage protection.

Data transmission to and from the interface is performed via P-NET-fieldbus.

Features

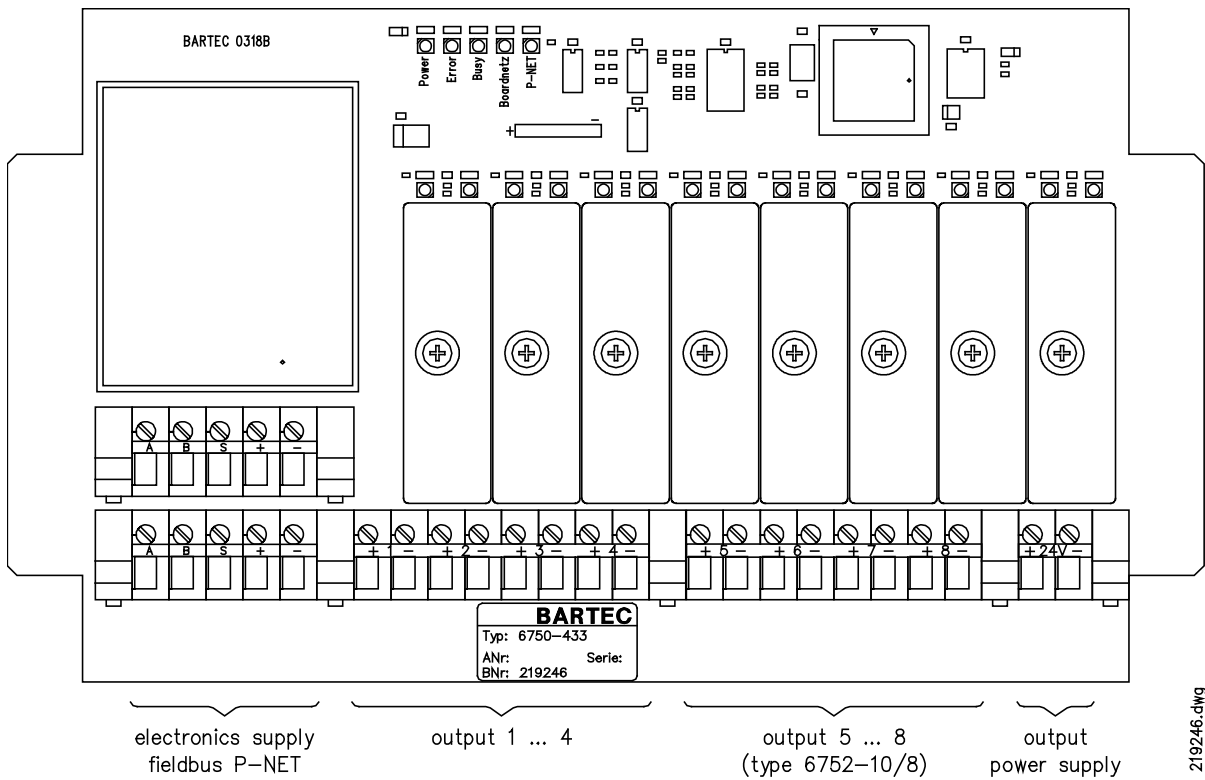
- Use in hazardous location classified to zone 1 type of ignition protection type EEx em [ib] IIB T4 devices group/-category II 2 G BVS 03 ATEX E 284.
- Control of up to 8 electric loads.
- Semiconductor relay, „High-Side“ switching.
- Short circuit detection and interruption detection of the connected loads.
- Integrated over voltage protection.
- Field bus P-NET EN 50170-1 and IEC 61158.
- Fail-safe-function (integrated Watchdog-function).

Admission

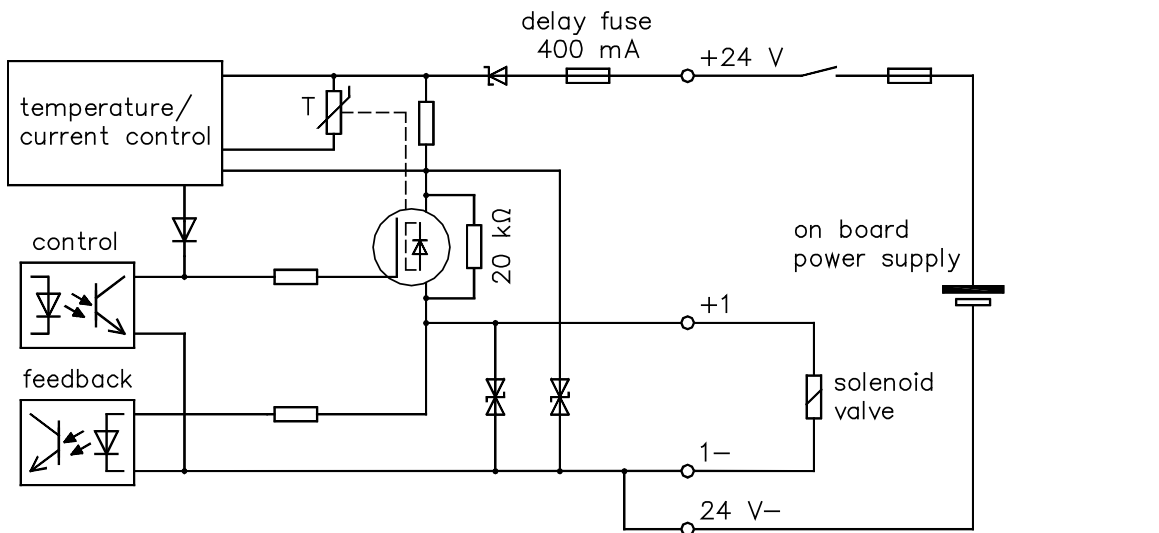
EC-type examination certificate
BVS 03 ATEX E 284.

Technical data		
	Type 6752-10/4	Type 6752-10/8
Number of switching outputs	4	8
Mechanical data		
Mass	3.1 kg	3.5 kg
Dimensions	260 mm x 160 mm x 90 mm	
Housing	Robust Alu-diecast housing	
Electrical data		
Power supply (electronics)	DC 24 V ± 20 %	
Power supply (terminals „+24 V -“)	(max. DC 13 V ... 36 V)	
Nominal current at DC 24 V	0,15 A	
Max. failure voltage U_m	50 V	
Max. through current	7 A	
Nominal current (supply load) (terminals „+24V-“)	DC 24 V ± 10 % (max. DC 20 V ... 32 V)	
Nominal current	< 1.4 A	< 2.8 A
Nominal current via output Terminals („+1-“, ... „+8-“)	350 mA	
Interface	Fieldbus interface P-NET, seriel, asynchron, baudrate 76800 bit/s, max. line length 1200 m.	
Electrical connection	Screw clamp EEx e	
Cross-section of leads	0.5 mm ² to 1.5 mm ² (unifilar strand or wire with cable ends)	
Clamp area of cable glands	Ø 4 mm bis Ø 8 mm	
Ambient conditions		
Operating temperature	-20 ... +50 °C	
Store temperature	-20 ... +60 °C	
Protection system (EN 60529)	IP65	
Devices specific data		
Device group/-category (94/9/EG)	II 2 G	
Type of protection	EEx em [ib] IIB T4	

Connection occupancy



Function principle



circuit principle considering as example output "+1-"

219246.dwg

Order designations

Description	Order-no.
Output Interface EEx type 6752-10/4 with 4 valve selections	U891176752104
Output Interface EEx type 6752-10/8 with 8 valve selections	U891176752108