

Product identification sensor, type 6729-11/-13

- Identifies the product code via highly sensitive semiconductor sensors.
- Can be adapted to different flange types.
- Reads the product identification in accordance with standard DIN 75015.



Function

The loading arms in the depot are equipped with coding bars, which unambiguously identify the product to be loaded. The code is in accordance with standard DIN 75015.

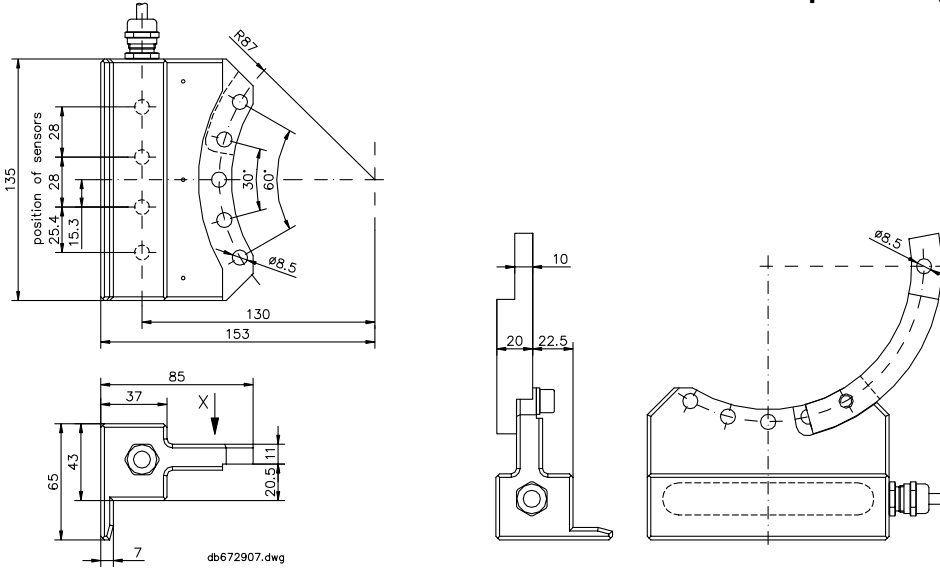
After the coupling has been locked, the product identification sensor registers the product code. The superordinate electronics gives release to the filling procedure, or blocks the loading procedure if there is an impermissible mixing of products.

Assembly

The product identification sensor is mounted to the API coupling of the tank truck either directly or with adaptors.

Product identification sensor, type 6729-11

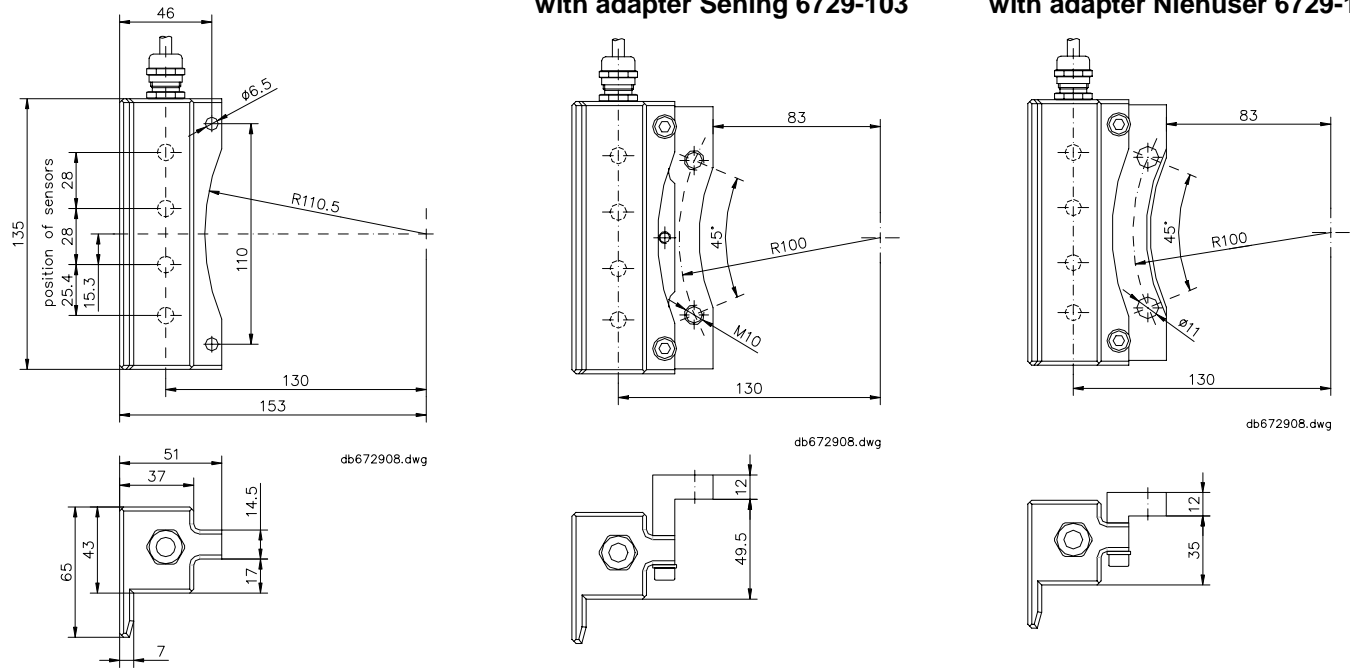
With adapter Haar, type 6729-102



Product identification sensor, type 6729-13

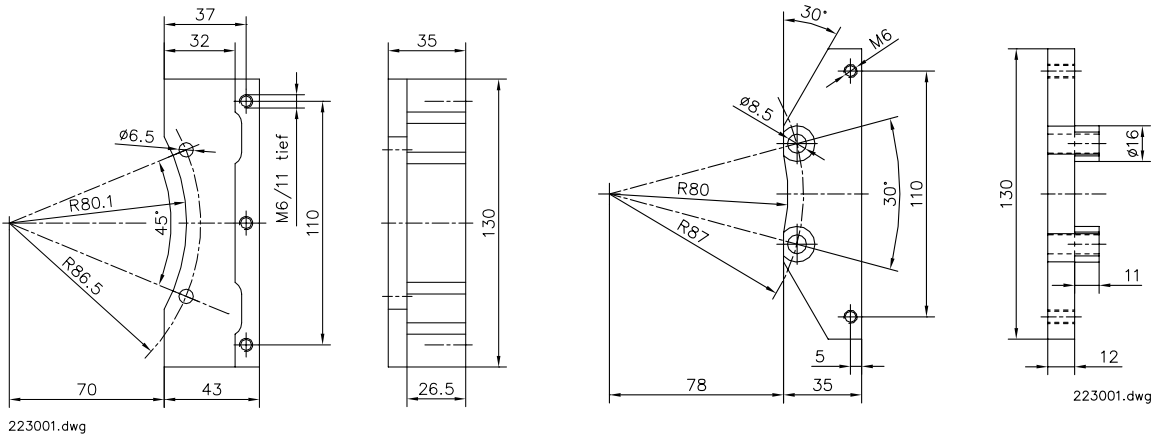
with adapter Sening 6729-103

with adapter Niehüser 6729-104



with adapter Sening 6729-105

with adapter 6729-106



Technical data							
Electrical data							
Auxiliary energy	DC 5 V ... 7 V						
Residual ripple	≤ 0.5 %						
Current consumption	30 m A						
Terminal assignment (e.g. connection to terminal box 6789-77 or 6789-78)	<table border="0"> <tr> <td style="vertical-align: top;">Function 4/- 3/+ 2/B 1/A SEL_x COM/S</td> <td style="vertical-align: top;">Wire colour grey green yellow brown blue pink</td> </tr> </table>	Function 4/- 3/+ 2/B 1/A SEL_x COM/S	Wire colour grey green yellow brown blue pink				
Function 4/- 3/+ 2/B 1/A SEL_x COM/S	Wire colour grey green yellow brown blue pink						
Signal outputs OUT 1 ... OUT 4	<table border="0"> <tr> <td colspan="3">Open collector (minus-switching to GND), switching current max. 14 mA</td> </tr> <tr> <td style="vertical-align: top;">Signal statuses 0: High-resistive signal output (no magnet) 1: Low-resistive connection of signal with GND (magnet available)</td> <td style="vertical-align: top;">Output 1 2 3 4 0 0 1 1 0 1 0 1 0 1 1 0 1 0 0 1 1 0 1 0 1 1 0 0</td> <td style="vertical-align: top;">Product Diesel fuel DK Petrol BI Super unleaded SUV Super leaded SU Super plus SUP free</td> </tr> </table>	Open collector (minus-switching to GND), switching current max. 14 mA			Signal statuses 0: High-resistive signal output (no magnet) 1: Low-resistive connection of signal with GND (magnet available)	Output 1 2 3 4 0 0 1 1 0 1 0 1 0 1 1 0 1 0 0 1 1 0 1 0 1 1 0 0	Product Diesel fuel DK Petrol BI Super unleaded SUV Super leaded SU Super plus SUP free
Open collector (minus-switching to GND), switching current max. 14 mA							
Signal statuses 0: High-resistive signal output (no magnet) 1: Low-resistive connection of signal with GND (magnet available)	Output 1 2 3 4 0 0 1 1 0 1 0 1 0 1 1 0 1 0 0 1 1 0 1 0 1 1 0 0	Product Diesel fuel DK Petrol BI Super unleaded SUV Super leaded SU Super plus SUP free					
Mechanical data							
Connection cable	7 x 0.25 mm shielded, 5 m						
Casing	Aluminium						
Dimensions	135 x 85 x 65 mm (l x w x h)						
Device-specific data							
Ignition protection type	EEx ib IIB T4						
EX data	Intrinsically safe signal and supply circuit Category ib: for application in fuels U _i = 23 V I _i = 500 mA P _i = 1,3 W C _i = 110 nF L _i = negligibly small						
Ambient conditions							
Admissible operating temperature	- 20 °C ... + 60 °C						
Protective type (in acc. with DIN 40050)	IP67						

Technical data		
Order numbers		
Product identification sensor 6729-11 series A		U891 16 729 11
API coupling type	Niehüser: Haar: Sening:	N10.5-100, N 10.6-100 API-100 E1, PAPI-100 VKAP-100
Adapter Haar 6729-102		214922
API coupling type	Haar:	API-100 E1, PAPI-100
Product identification sensor 6729-13		214921
API coupling type	Niehüser: Sening:	N10-100 PN10, N 10.3 VKV-100, VKV-100 P, VKVP, VKVP-I, VKV-M, VKVM-I, VKV, VKV-T
Adapter 6729-103		214923
API coupling type	Sening:	VKV-100
Adapter 6729-104		215201
API coupling type	Sening: Niehüser:	VKV-100 P N10-100 PN10
Adapter 6729-105		223001
AIP coupling type	Sening:	VKVP, VKVP-I, VKVM, VKVM-I, VKV, VKV-T
Adapter 6729-106		240984
API coupling type	Niehüser:	N 10.3