

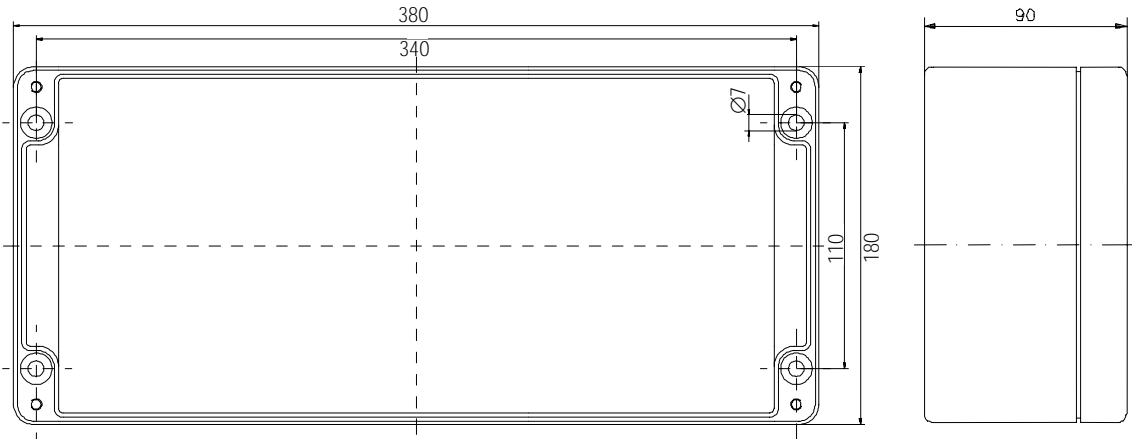
Interface SAFE Ex type 6728-51, series A

- Quality assurance for loading procedures with tank trucks.
- Safe protection against mixing.
- Protection of the environment by monitoring the filling hose (fixed flange connection, tightness).
- Gas displaced from the ground tank is led back into the mobile tank.



Technical data	
Mechanical data	
Casing	Aluminium diecast, surface untreated
Dimensions (L x W x H)	360 x 160 x 90
Weight	Approx. 4 kg
Protective type	IP 65 in accordance with DIN EN 60529
Ignition protection type	⊕ Ex II 2 (1) G, EEx em [ib/ia] IIB T4, BVS 03 ATEX E 220
Ambient conditions	
Admissible operating temperature	- 20 ... + 50 °C
Admissible storage temperature	- 30 ... + 70 °C
Climatic class	HWD in accordance with DIN 40040
Electrical data	
Auxiliary energy	DC 24 V from series connection unit, type 6781-xx I < 200 mA
Interface	P-NET, asynchronous, 76800 Baud
Electrical connection	10 x EEx e TOP screw terminals max 1.5 mm ² 33 x EEx i TOP screw terminals max 2.5 mm ²
Cable entry	2 x M16 x 1.5, EEx e; plastic, black 13 x M16 x 1.5, PG9 EEx i; plastic, blue
ASS connections	14 intrinsically safe outputs for product/gas pendulum connections (optionally 16) Output voltage: DC 12 V, Ri ca. 200 Ω 5 mass connections for NoMix-TAG GND connection 4 "Listener" inputs to monitor the correct allocation of limit-value sensors
Ordering details	
Interface SAFE Ex 6728-51	891 17 672851
Terminal box 6789-73 (accessories)	891 16 78973

Assembly



Connection diagram

