

TAG-Reader Ex, Type 6727-54

- Contactless, wearless RFID identification system



Description

The TAG reader Ex type 6727-54 is used for contactless reading of the TAG-sensors Ex type 6729-51 /-52 (identification device).

A serial data interface offers the communication with a superior computer system.

The TAG-reader Ex is designated for direct mounting via four or two screws on a plan surface.

Function

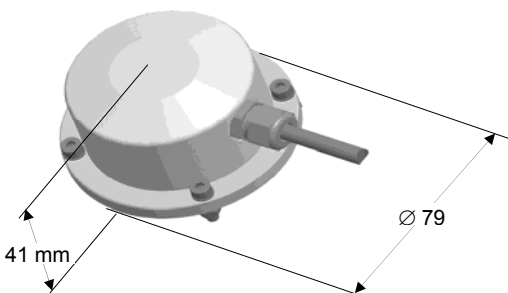
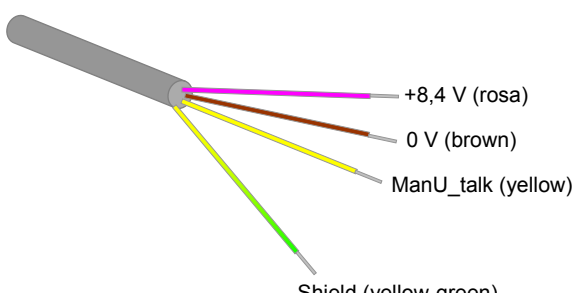
The TAG-reader Ex is provided with electrical energy via the terminals „8,4V“ and „0V“.

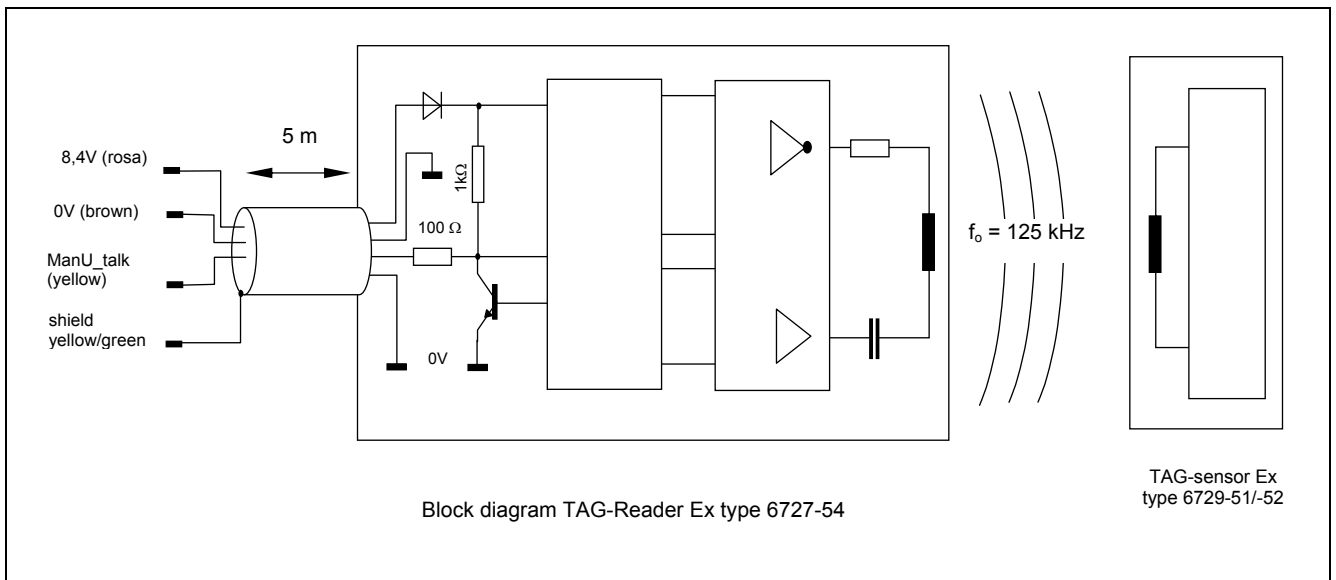
Data with a superior computer system can be changed via the terminal „ManU_talk“.

An integrated sensor and receiver is making the connection to an external identification device (TAG-sensor Ex type 6729-51/-52).

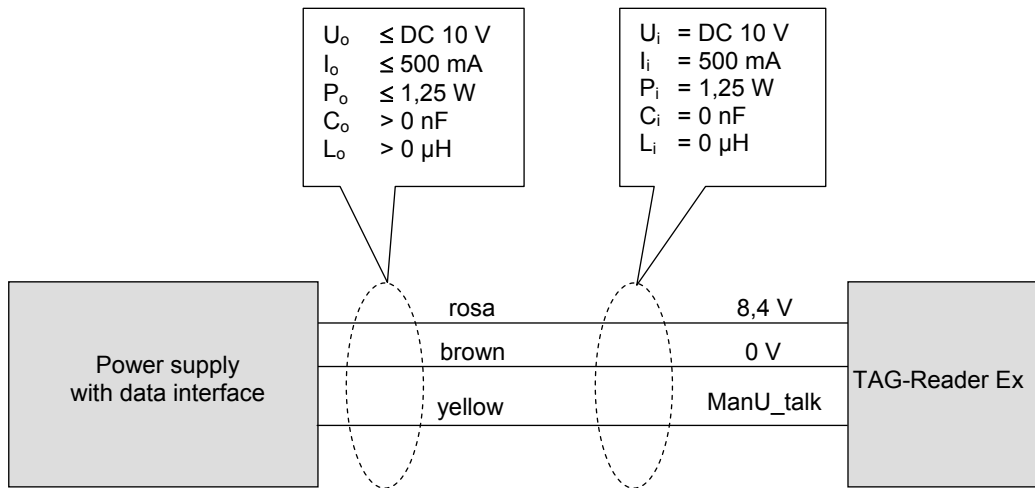
Advantages

- **Application in Ex-areas**
Protection class EEx ib IIB T4
device class /-category II 2 G
IBExU 05ATEX1038
- **Reading of TAGs (TAG-sensor Ex type 6729-51/-52) for contactless identification systems**
- **Simple serial interface for communication with the superior computer system.**
- **Supply and data interface (EEx ib IIB) with intrinsic safety.**

Technical Data	
Electrical Data	
<i>Power supply 8,4 V (rosa), 0 V (brown) with or without data circuit ManU_talk (yellow)</i>	
Input voltage	DC 8,4 V (DC 7 V ... 10 V)
Current consumption	30 mA
Max. input voltage	$U_i = DC 10 V$
Max. input current	$I_i = 500 mA$
Max. power input	$P_i = 1,25 W$
Max. interior capacity	$C_i \cong 0 nF$
Max. interior inductance	$L_i \cong 0 \mu H$
<i>Data circuit ManU_talk (yellow), 0 V (blue) by using as a separated inherently safed data circuit</i>	
Nominal voltage	DC 8,4 V
Max. input voltage	$U_i = DC 10 V$
Max. interior capacity	$C_i \cong 0 nF$
Max. interior inductance	$L_i \cong 0 \mu H$
Max. output voltage	$U_o = 10 V$
Max. output current	$I_o = 100 mA$
Max. power output	$P_o = 250 mW$
Max. outside capacity	$C_o = 20 \quad 11 \quad 5,4 \quad 1,7 \mu F$
Max. outside inductance	$L_o = 0,02 \quad 0,1 \quad 1,0 \quad 20 mH$
Ambient conditions	
Operating temperature	- 20° C ... + 60° C
Storage temperature	0° C ... + 60° C
Climatic class / protecting class	JUD / IP 65
Mechanical Data	
Dimensions	 <p>41 mm</p> <p>Ø 79</p>
Terminal assignment	 <p>+8,4 V (rosa)</p> <p>0 V (brown)</p> <p>ManU_talk (yellow)</p> <p>Shield (yellow-green)</p>
Housing	Polyacetalharz (POM/Delrin)
Weight	0,3 kg



Connection of the Ex i circuits by using a power supply with data interface



Order Designation	
Description	Order number
TAG Reader Ex, Typ 6727-54	235047