

Measuring Interface, type 6718-10/20,-11,-12/22,-25

- Parallel detection of two temperatures and volume flows
- Four outputs
- Mounting directly on the trailer in hazardous location classified to zone 1



Function

Temperatures are scanned via a Pt100 measuring circuit in accordance with DIN IEC 751. The system detects sensor breaks as well as sensor short-circuits.

Two- or three-phase pulse generators can be evaluated by the pulse counter electronics. Phase errors etc. are likewise evaluated by the electronics.

The switching outputs are supplied separately, have various monitoring functions and are protected from overvoltage and short-circuit.

Application

The measuring interface is able to scan up to two temperatures and volumetric flows and control up to four valves simultaneously. Transmission of measurement data via a serial field bus means that the measuring interface can be integrated in any installation.

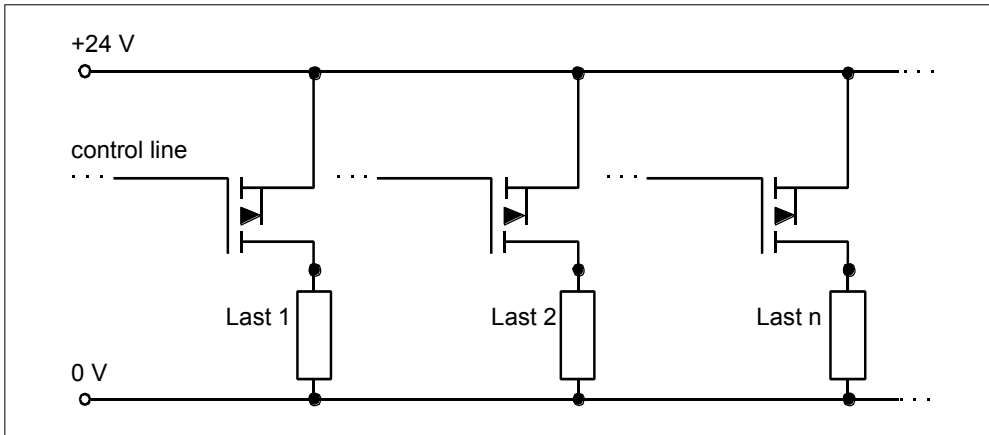
Thanks to its rugged design the measuring interface is ideal for use in mobile as well as in stationary installations of the mineral oil industry.

Advantages

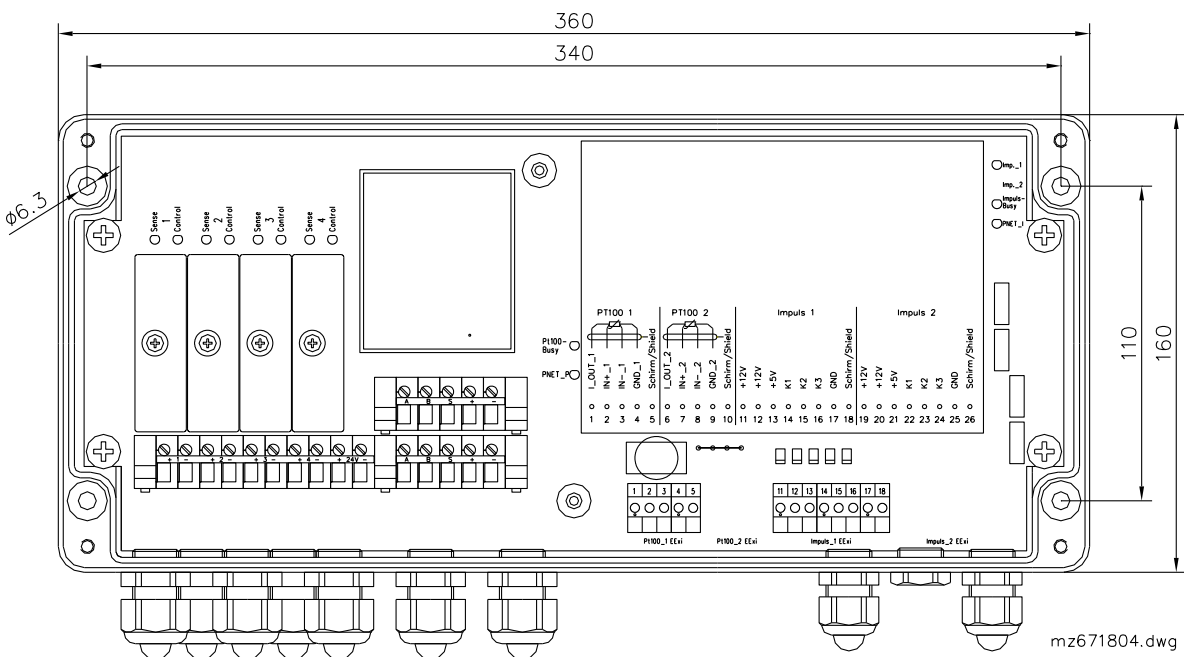
- **Temperature- and volume measurements, appropriate for verification in accordance with OIML recommendations**
- **Internal error diagnosis with error message for evaluation**
- **Intrinsically safe design in accordance with EEx ib for zone 1 applications**
- **A maximum of 4 wear-free short-circuit-proof semiconductor switches with monitoring functions**
- **Data transmission by P-NET serial field bus**

Technical Data	
Device-specific data	
Measuring range	- 20 ... + 60°C
Measuring system	Pt100 by DIN IEC 751
Accuracy/cancellation	0,1 °C bei 10 measuring cycles/sek.
Measurement accuracy	< 0,2 °C in measuring range
Temperature influence	< 0,1 °C
Electrical data	
Auxiliary power	DC 24 V / 0,15 A (-10 ... +15 % from the ballast type 6781-1x
Control outputs	Auxiliary power: max. DC 32 V, externally supplied number: 2 or. 4 outputs Switching capacity: DC 24 V / 0,35 A (shortcircuit proof)
Interface	Fieldbus interface (P-NET), seriell, asynchron Baud rate: 76800 bit/s Cable length: max. 1200 m P-NET ident number: Pt100-I/O = 5925, pulse counter = 5926
Pulse counter-interface 6718-10/20	Supply 5 V (max. 25 mA), 3-channel, max. 500 impulse/sek., Input intern 5 kΩ pull-up
Pulse counter-interface 6718-11	Supply 8,2 V, Namur, 2-channel
Pulse counter-interface 6718-12/22	Supply, + 12 V, 2-channel, transmitter Sening THS-J-SG2AL
Pulse counter-interface 6718-10 P016	2-channel, mass flowmeter micro motion RFT 9739 FM transmitter type (Double Pulse Output)
Pulse counter-interface 6718-20 P017	2-channel with status input, transmitter type Endress + Hauser, Promass 64 (Ex-e) Attention: Interface may only be installed in the A3 area.
Pulse counter-interface 6718-22 P018	2-channel, Faure-Herman-turbine meter, transmitter type FH71.N
Pulse counter-interface 6718-25	1 x 2-channel transducer system 800 1 x 2-channel-open collector counting unit complete draining
Ambient conditions	
Operating temperature	- 20 ... + 50°C
Storage temperature	- 40 ... + 85°C
Protection	IP 65 by DIN 40050
Explosion protection	Ex eb mb [ib] [ia] IIB T4, BVS 03 ATEX E 216
Climate class	JWD by DIN 40040
Norms	EN 60079-0, EN 60079-7, EN 60079-11, EN 60079-18
Mechanical data	
Dimesions	160 x 360 x 90 mm
Weight	3,7 kg
Housing characteristics	Die-cast aluminium
Cable feed	M16x1.5, blue Ø 4-8 and 7 x M16x1.5, black Ø 5-10
Screw terminals	1,5 mm ²

Switching principle („high side“)



Dimensions and mounting holes



Order information

Type	6718-10/20	6718-11	6718-12/22	6718-10 P016	6718-20 P017	6718-22 P018	6718-25
Measuring systems- Interface Ex	3-channel- transmitter "open collector", Fabr. "BARTEC"	Interface for Namur- transmitter, e. g. Daniel - Turbine- or Haar-Impuls transmitter	Interface for current transmitter, type Sening THS-J- SG2AL	Interface for Micro- Mo- tion-mass meter	Interface for promass 64 Endress + Hauser	Interface for Faure- Herman- turbine me- ter	PETflow R
Simply measuring system, 4 valve controls, 1 temperature-measuring instrument, 1 volume flow meter	Order-Nr. 8 911 7 671 810	Order-Nr. 2 058 64	Order-Nr. 8 911 7 671 812	Order-Nr. 8 919 0 166 71810	Order-Nr. ---	Order-Nr. ---	Order-Nr. ---
Double measuring sys- tem, 4 valve controls, 2 temperature-measuring instrument, 2 volume flow meter	Order-Nr. 8 911 7 671 820	Order-Nr. ---	Order-Nr. 8 911 7 671 822	Order-Nr. ---	Order-Nr. 2 021 52	Order-Nr. 2 021 53	Order-Nr. . 248265