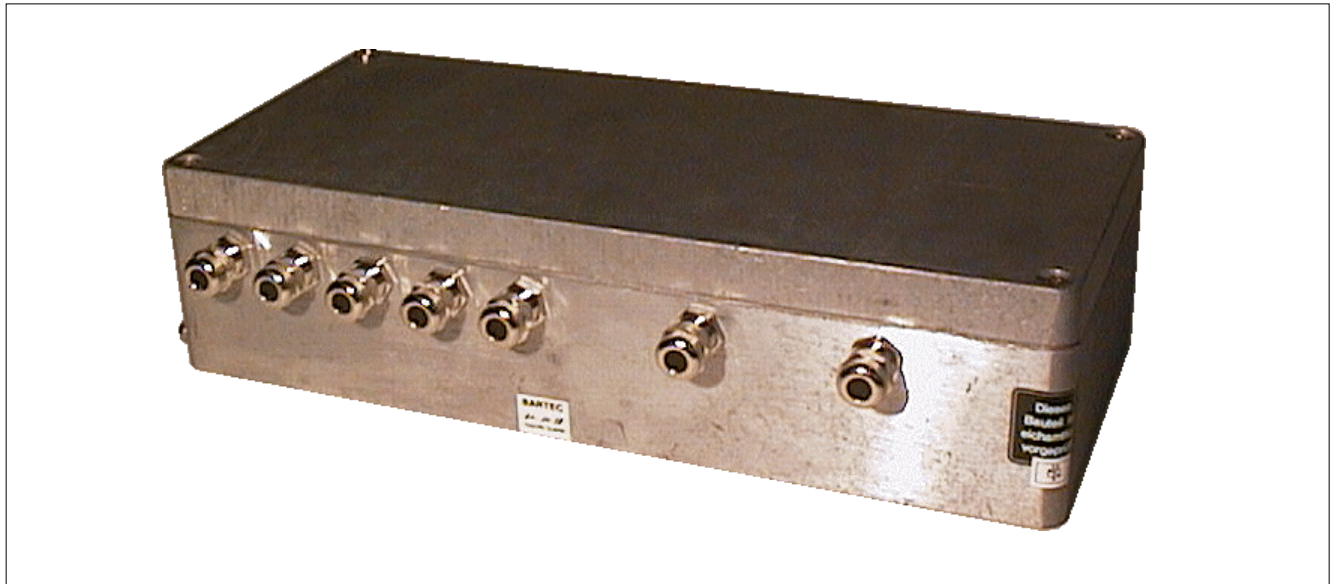


Data Sheet**Measuring Interface type 6717-10/-20, -12/22****Application**

The measurement interface is able to scan up to two temperatures and volumetric flows and control up to four valves simultaneously. Transmission of measurement data via a serial field bus means that the measurement system interface can be integrated in any installation.

Thanks to its rugged design the measurement system interface is ideal for use in mobile as well as stationary installations of the mineral oil industry.

Operation

Temperatures are scanned via a Pt100 measuring circuit in accordance with DIN IEC 751. The system detects sensor breaks as well as sensor short-circuits.

Two- or three-phase pulse generators can be evaluated by the pulse counter electronics. Phase errors etc. are likewise evaluated by the electronics.

The switching outputs are supplied separately, have various monitoring functions and are protected from over-voltage and short circuit.

Compact measurement system electronics for A3 applications

- **Calibratable temperature and volume measurements in accordance with OIML recommendations**
- **Internal error diagnosis with error message for evaluation**
- **A maximum of 4 wear-free short-circuit-proof semiconductor switches with monitoring functions**
- **Data transmission by P-NET serial field bus**

Technical Data

Interface:

fieldbus interface (P-NET), serial, asynchronous,
 baud rate: 76800 bit/s,
 cable length: max. 1200 m,
 P-NET ID-no: Pt100-I/O = 5925,
 pulse counter = 5926

Auxiliary power

electronics: DC 24 V / 0,15 A
 (-10 ... 15 %), from
 power supply type 6781-1x.

Electrical connection

screw-type terminals: 1,5 mm²,
 cable inlet: 7 x bzw. 11 x PG9,
 dimensions: 160 x 360 x 90 mm,
 housing: die-cast aluminium,
 weight: 4,5 kg.

Ambient conditions

operating temperature: - 20 ... + 50 °C,
 storage temperature: -
 40 ... + 85 °C,
 type of protection: IP65 acc. to DIN 40050,
 climatic class: JWD acc. to DIN 40040.

Temperature measuring circuit

measuring system: Pt100 acc. to DIN IEC 751,
 measuring range: - 20 ... + 60 °C,
 resolution: 0,1 °C
 at 10 measuring cycles/sec.
 measuring accuracy: < 0,2 °C within the measuring range,
 temperature influence: <0,1 °C.

Pulse counter interface 6717-10/20

supply 5 V (max. 25 mA), 3-channel-model,
 max. 1000 pulses/sec.,
 input internal 5 kΩ pull-up.

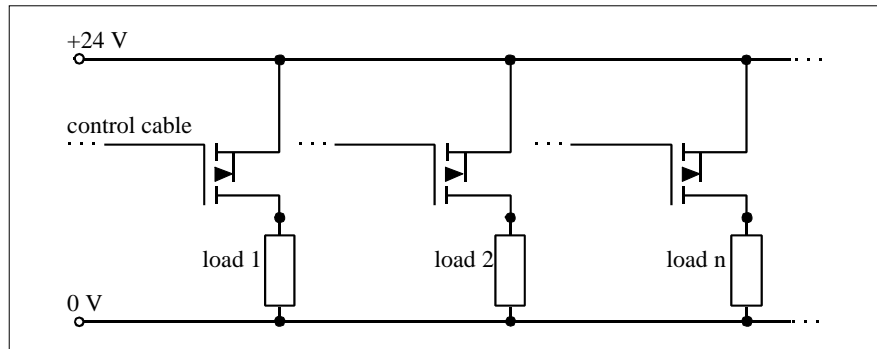
Control outputs

number: 4 outputs,
 switching capacity: DC 24 V / 0,35 A (short-circuit proof),
 Auxiliary power: max. DC 34 V, external supply.

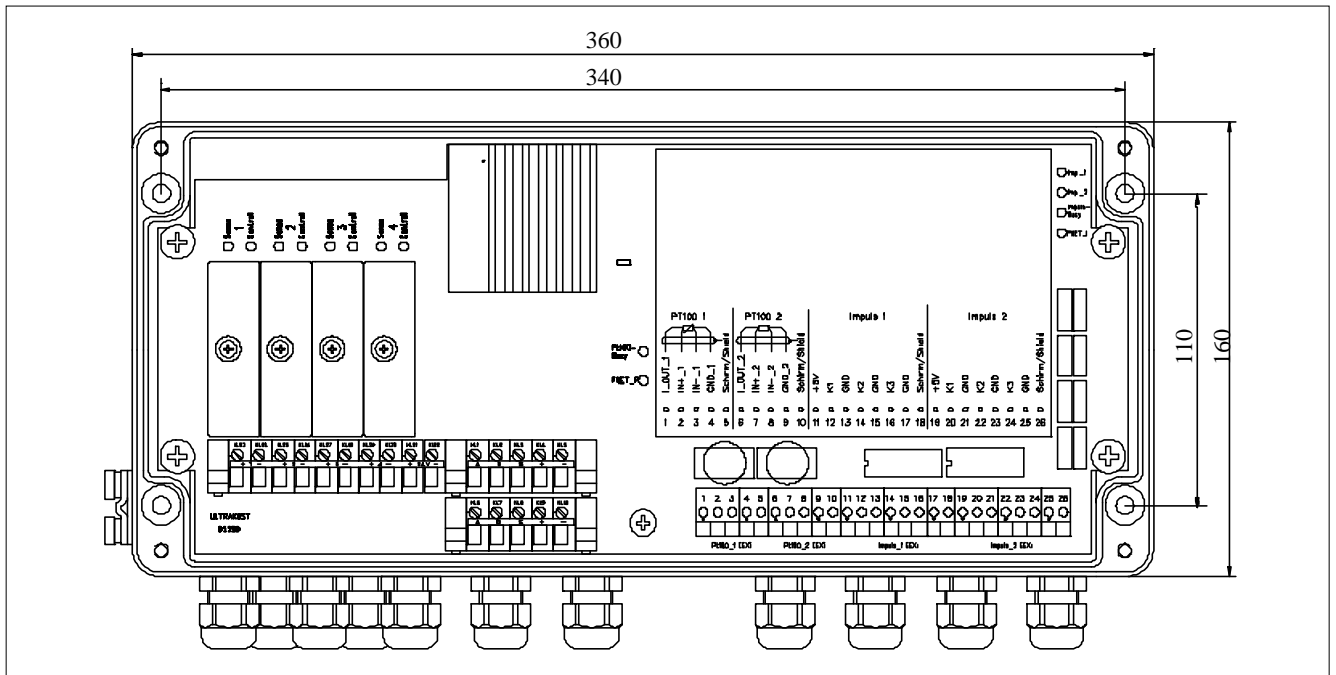
Pulse counter interface 6717-12/22

supply 12 V, 2-channel-model,
 transmitter type Sening THS-J-SG2AL

Circuit principle („high side“)



Dimensions and mounting holes



Order designations

Type	6717-10/20	6717-12/22
Measuring interface A3	3-channel-model "open collector", product " BARTEC"	2-channel-model type THS-J-SG2AL "Sening"
Single measurement system, 4 valve controllers, 1 temperature measuring device, 1 volume flow measuring device	Order no. 8 911 7 671 710	Order no. 8 911 7 671 712
Double measurement system, 4 valve controllers, 2 temperature measuring devices, 2 volume flow measuring devices	Order no. 8 911 7 671 720	Order no. 8 911 7 671 722