

Pulser Ex 3-Channel, Type 6716-94 For measuring chamber, type ISOIL BM 600

- Pulse for measuring chambers
- ATEX / IECEx certified
- 3-channel pulse signals



Function

The pulser is coupled to the oil line located in the measuring chamber. The pulser takes the rotational movement as a measuring signal for the flow rate. The rotational motion generates internally a speed-proportional pulse sequence. Both flow directions can be detected.

Calibration

Measuring chamber and pulser as a measuring system are calibrated in the complete system.

Construction

The pulser type 6716-94 consists of a 3-phase pulser and is mounted in an aluminium enclosure.

Mounting

Screwed connection between pulser type 6716-94 and measuring chamber.

Features

- Compact construction
- tamper-proof
- maintenance free
- reliable
- free from interference

Technical specifications

Electrical specifications

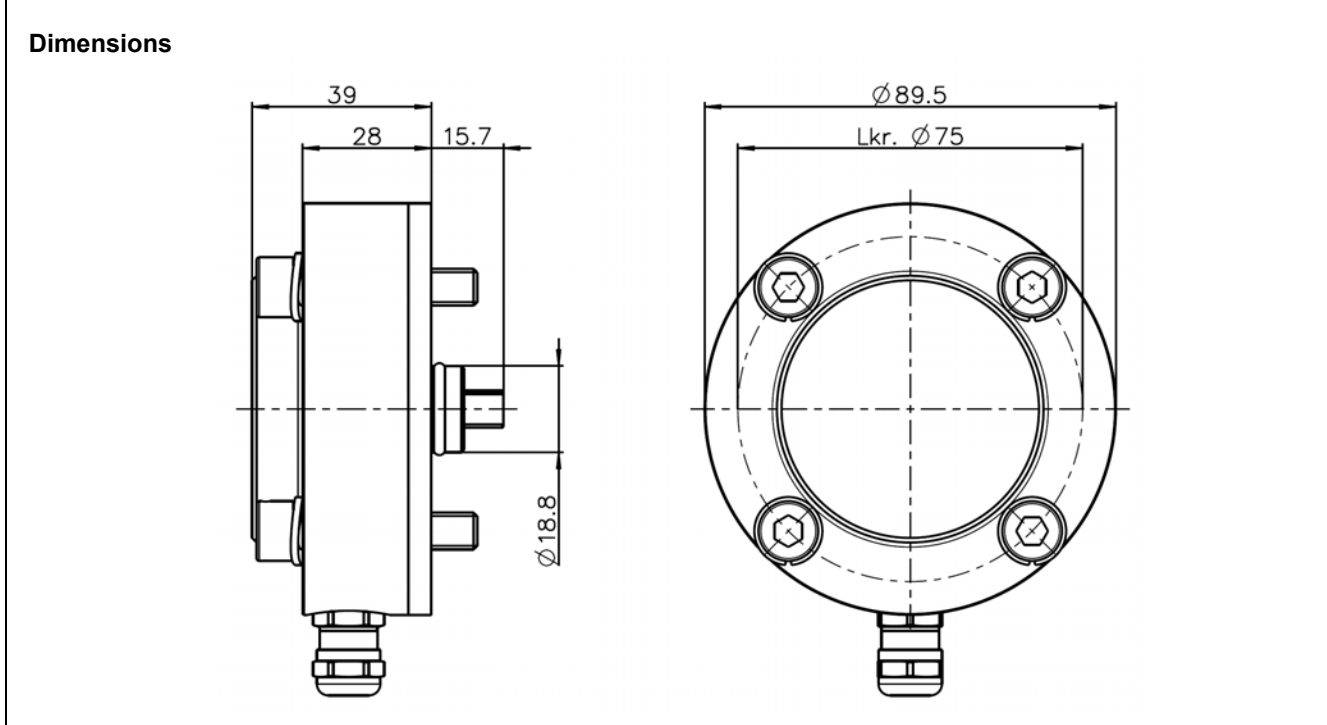
Operating voltage	5 V ... 13 V DC / 30 mA 5 V DC (from 3/2K-Interface Dual Ex i Typ 6932-105)														
Connection	5 m cable 7 x 0.25 mm ² shielded, open ends Shield is not connected to the measuring tube <table border="1" style="margin-left: auto; margin-right: auto;"> <thead> <tr> <th>Colour</th> <th>Function</th> </tr> </thead> <tbody> <tr> <td>gn</td> <td>+U</td> </tr> <tr> <td>ye</td> <td>K1</td> </tr> <tr> <td>wh</td> <td>K2</td> </tr> <tr> <td>gy</td> <td>K3</td> </tr> <tr> <td>bn</td> <td>GND</td> </tr> <tr> <td>Shield</td> <td>Shield</td> </tr> </tbody> </table> <p>Ex-Protection: intrinsically safe circuit; detailed electrical data, see service instructions</p>	Colour	Function	gn	+U	ye	K1	wh	K2	gy	K3	bn	GND	Shield	Shield
Colour	Function														
gn	+U														
ye	K1														
wh	K2														
gy	K3														
bn	GND														
Shield	Shield														
Outputs	3-Channel-Output, Open Collector, 24 V/10 mA														

Ambient conditions

Operating temperature	-25 ... +50°C
Storage temperature	-25 ... +50°C
Ambient pressure	950 ... 1050 hPa
Device group / Category / type of protection	II 1/2 G Ex ia IIB T4 Ga/Gb
Standards	ICE / EN 60079-0, IEC / EN 60079-11, IEC / EN 60079-26
Approvals	BVS 15 ATEX E 146 X / IECEx BVS 15.0118X
Enclosure rating	IP 66

Mechanical specifications

Enclosure	Aluminium case anodized
Dimensions	See drawing
Weight	0.75 kg



Order information

Designation	Order number
Pulser Ex 3-Channel, type 6716-94	390040