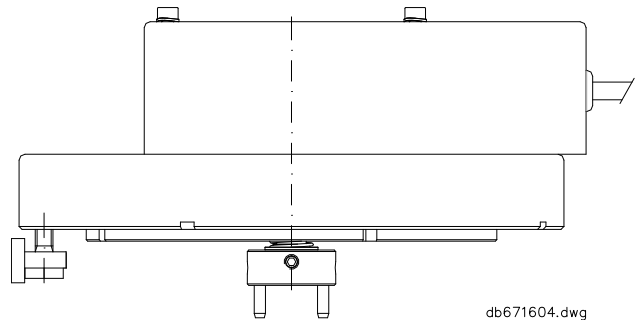




## Data sheet Pulser Ex Type 6716-5x/-6x series B

Together with a type-specific measuring chamber, each pulser of the 6716 series forms a flow measurement system which is appropriate for verification in compliance with official standards.

The pulsers have been designed for use in tank trucks and in storage facilities for petrochemical fuels. They can also be used in the chemical industry.



db671604.dwg

### Operation

The pulser is connected to the measuring chamber, which is located inside the oil pipe. The measuring chamber's rotation triggers a pulse sequence, which corresponds to the rotational speed. Both flow directions can be measured.

### Calibration

The entire system, i. e. measuring chamber and pulser, is appropriate for verification.

### Design

Each 6716 series pulser consists of a 3-phase pulse generator, which is cased in aluminium. The only difference between the pulsers of the series 6716-5x/-6x is the mechanical measuring chamber connection.

### Measuring chamber connection

Any 6716 pulser and measuring chamber are connected by either 4 or 8 (depending on type of pulser) M6 screws, which come with the pulser.

### Pulsers for flow measurements in potentially explosive areas in the petrochemical industry

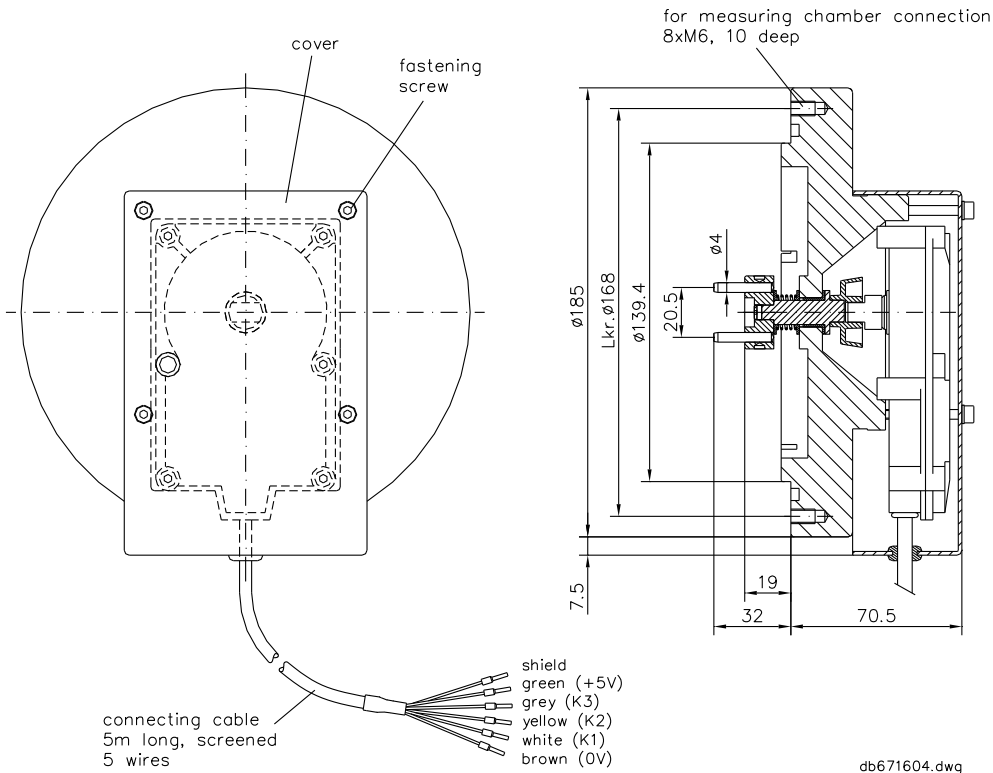
- Electronic measurement of flow quantity and flow rate in a measuring chamber.
- Casing with indelible laser writing.

Technical data	
<b>Electrical data</b>	
Nominal voltage	DC 5 V $\pm$ 10 %
Rated power	25 mA max.
Connection	5 m shielded cable
General parameters	3-channel-output, open collector, 30 V / 15 mA, low level 0.4 V maximum, output-frequency 1 kHz maximum.
<b>Environment conditions</b>	
Working temperature	- 20 ... + 60 °C
Storage temperature	- 40 ... + 85 °C
Category of protection	IP 52
Climatic category	JWF (DIN 40040)
Type of protection against explosion	EEx d IIB T6 or EEx ia IIB T4/EEx ib IIB T4
<b>Casing and installation</b>	
Casing	Aluminium casing
Installation	The casing can be connected to measuring chamber (screws)

**Pulser type 6716-50**

**for measuring chamber type Sening GMVT 400/700, GMVZ 1000**

**U 8911671650**



**Pulser type 6716-52**

**for measuring chamber type Sening GMVZ 400/700**

**U 8911671652**

**Bopp & Reuther NW 40/80, ND 10**

**B & R: OT 60.1, M5 S B/B**

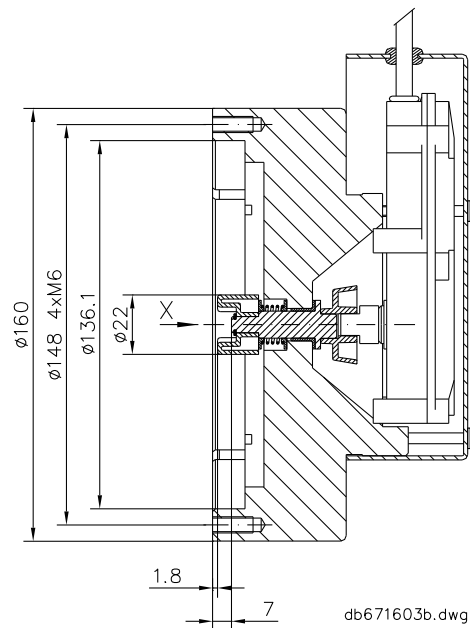
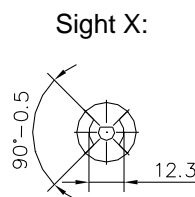
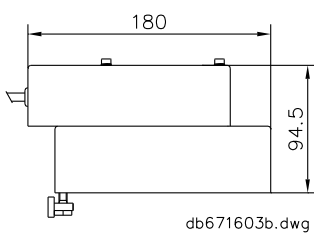
**B & R: OTM 5, 700 I**

**B & R: OTM 5, 1000 I**

**B & R: OT 115.1, MSB-KSB/B**

**B & R: OT 115.1, M5 B/B**

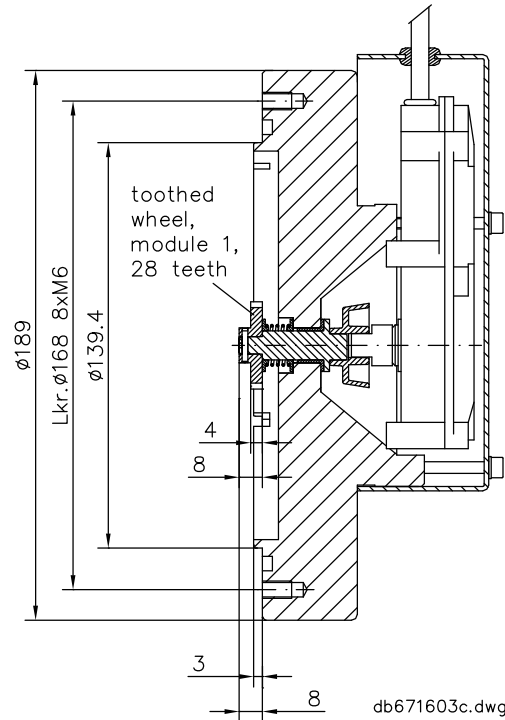
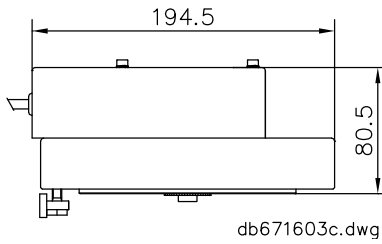
**B & R: OT 200, M5 S BKSp/B**



**Pulser type 6716-53**

for measuring chamber SATAM ZC 17-20/-40/-80/-100/-120  
SATAM ZC 17-20/-20/-80/-250

**U 8911671653**  
**209929**



**Pulser type 6716-55**

for measuring chamber Smith T 20/40  
Oil Meter (Isoil) 300 G  
Smith-measuring chamber (airport)

**U 8911671655**

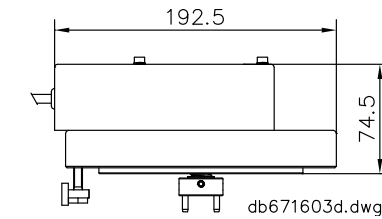
**U 8912671655**

Adaptor flange type 6715-100, Haar WG 40 GGz

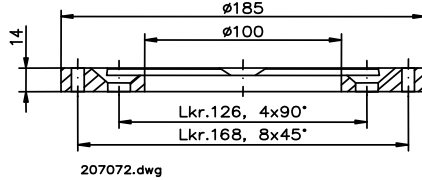
**U 89116715100**

Adaptor flange type 6716-00-038, Smith ST 40 DJ DM 50

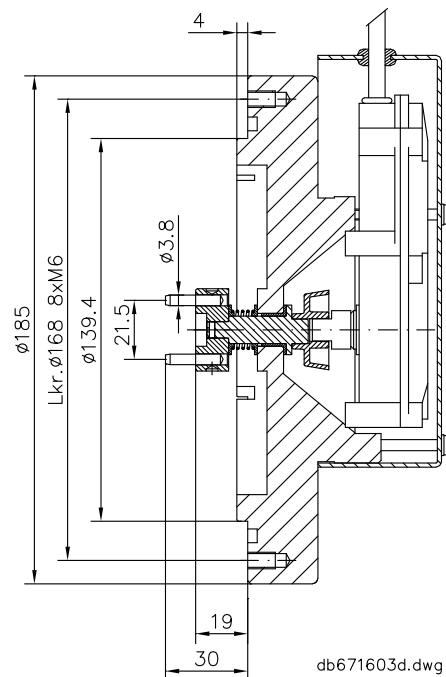
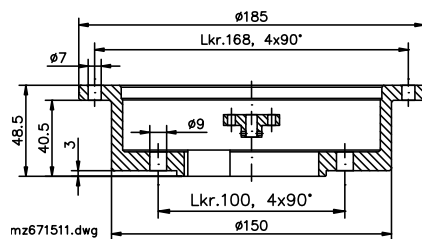
**207072**



**6716-00-038**



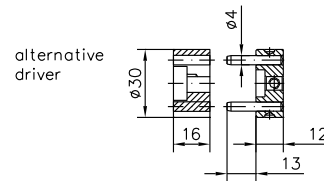
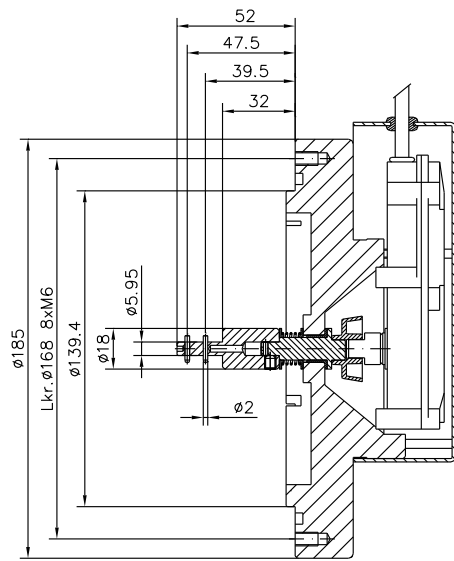
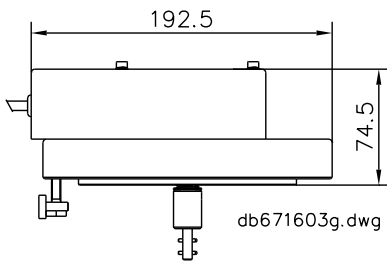
**6715-100**



**Pulser type 6716-56**

**for measuring chamber type Veeder Root  
SATAM (airport)**

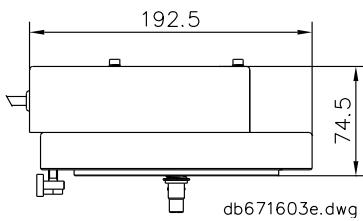
**206421  
211443**



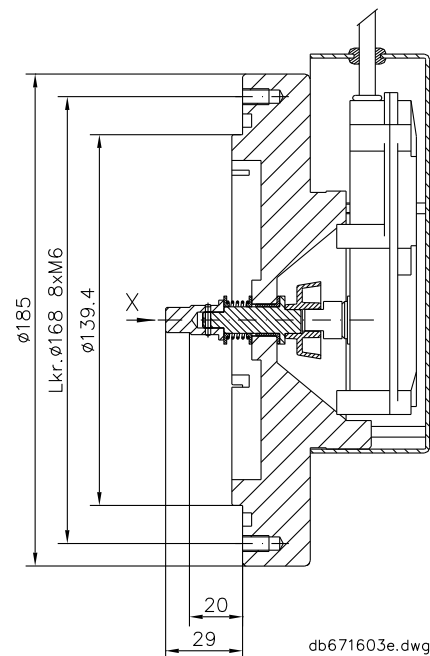
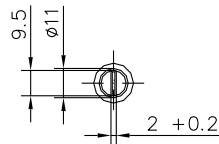
**Pulser type 6716-59**

**for measuring chamber Liquid Control  
Liquid Control (airport)**

**U 8911671659  
U 8912671659**



**Sight X:**



**Pulser type 6716-61  
for measuring chamber**

**U 8911671661/  
U 8912671661**

**Mounting set type 6716-102, Brodie-Meter B 41C/61 C**

**U 89116716102**

**Mounting set type 6716-106, Isoil BM 600**

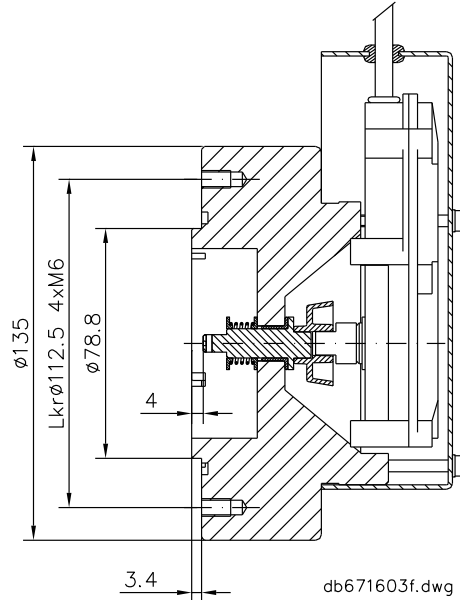
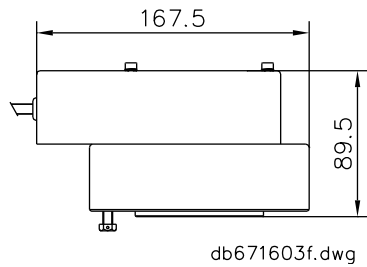
**U 89116716106**

**Mounting set type 6716-108, SATAM ZC 17-80/80, ZC 17-80/100, Haar MKA**

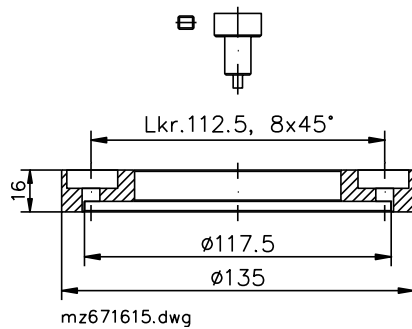
**U 89116716108**

**Mounting set type 6716-109, Avery Hardoll**

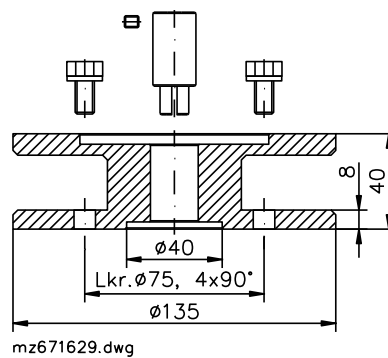
**U 89116716109**



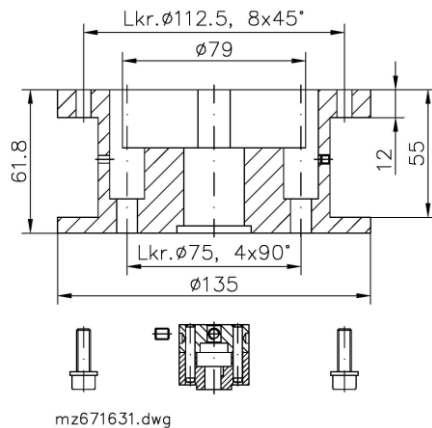
**6716-102**



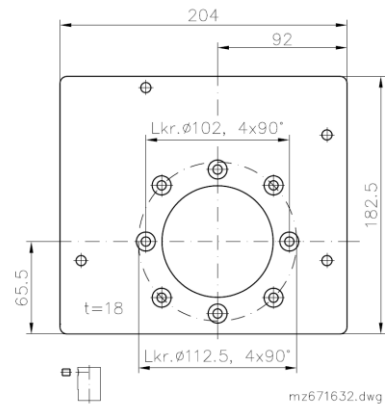
**6716-106**



**6716-108**



**6716-109**



**Pulser type 6716-62**  
**for measuring chamber type Wennström**

**245899**

