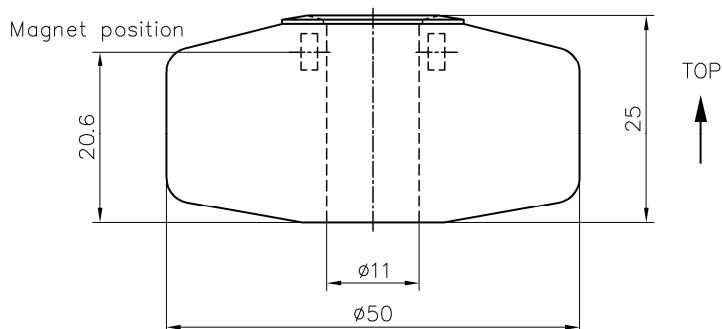


Floater, type 6706-109

Floater for dipstick type 6706-10, as a position sensor.

Suitable for liquids with a density of 700 - 900 kg/m³, oil-proof and petrol-proof.



Technical data	
Mechanical data	
Diameter	∅ 50 mm
Height	25 mm
Opening	∅ 11 mm
Ambient conditions	
Admissible operating temperature	- 20 ... + 60 °C
Admissible storage temperature	- 20 ... + 60 °C
Pressure	0,05 MPa = 0,5 bar max
Ordering details	
Designation	Order no.
Floater type 6706-109	279355