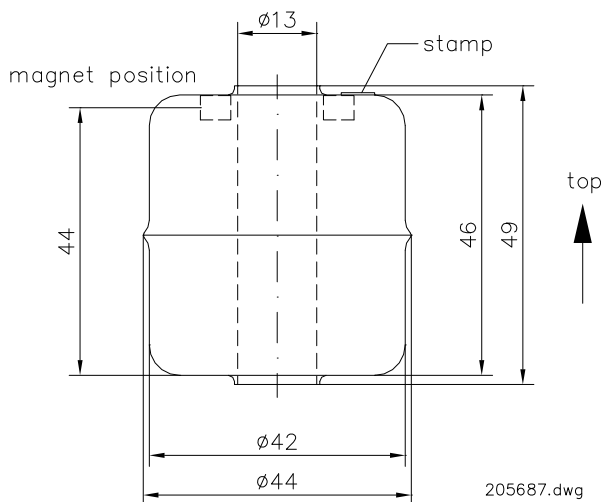


## Floater, type 6706-103

Floater for dipstick type 6706-10, as a position sensor.

Suitable for liquids with a density of 950 - 1050 kg/m<sup>3</sup>, capable for food.



Technical data	
<b>Mechanical data</b>	
Diameter	$\varnothing 44$ mm
Height	49 mm
Opening	$\varnothing 13$ mm
Weight	34 g
Material	Stainless steel 1.4571
Surface area	polished, capable for food
<b>Ambient conditions</b>	
Admissible operating temperature	0 ... + 40 °C
Admissible storage temperature	- 20 ... + 60 °C
Pressure	1 MPa = 10 bar max.
Ordering details	
Order no.	U496602