

## Temperature sensor Ex G1/2" flex. , type 6702-31

**Calibratable temperature sensor in co-operation with temperature quantity transducer**

**Constructive design in accordance with Ex ib for the installation in hazardous locations of zone 1, test probe zone 0**

**Durable design for rough environments in stationary and mobile systems**

**Resistant stainless-steel test probe for temperature measurements even in aggressive mediums**

**Easy disassembly by separate screwed connection.**



### Application

This temperature sensor is suitable for measurements in zone 0 in tank trucks and in depots of the mineral oil economy. Its design with a stainless-steel test probe makes possible not only measurements in the mineral oil sector but also temperature measurements in aggressive mediums in the chemical industry.

### Function

The temperature is measured by a Pt100 measuring element in accordance with DIN IEC 751 class B. The measuring current flowing through the measuring element is less than 1 mA, thus an adulteration of the measured values caused by self-heating is excluded.

By means of the evaluation of the calibration values specified on the sensor, a system precision better than class A can be obtained.

The temperature sensor has a standard 5 m cable with open ends.

A separate screwed connection allows the temperature sensor to be removed for inspection without twisting the cable.

### Compact temperature sensor for hazardous locations

- Calibratable temperature sensor in accordance with OIML recommendations
- Large temperature measuring range
- Durable, oil-resistant and acid-resistant cable
- Calibration points at 0 °C and 50 °C

## Technical data

### Mechanical data

Mounting/enclosure	Installation with integral thread G 1/2"
Operating temperature of connecting line	- 30 °C ... + 60 °C
Installation length	75 mm
Installation position	any
Test probe	stainless steel
Weight	approx. 6 N (= 0.6 kg)

### Ambient conditions

Operating temperature of connecting head	- 40 °C ... + 60 °C
Operating temperature of connecting line	- 30 °C... + 60 °C
Protection type	IP 65 in accordance with EN 60529
Equipment group/-category/ type of protection	II 1/2 G Ex ib IIC T6 Ga/Gb
Certificates	SEV 13 ATEX 0197 IECEX SEV 13.0010
Norms	EN 60079-0, EN 60079-11, EN 60079-26 IEC 60079-0, IEC 60079-11, IEC 60079-26

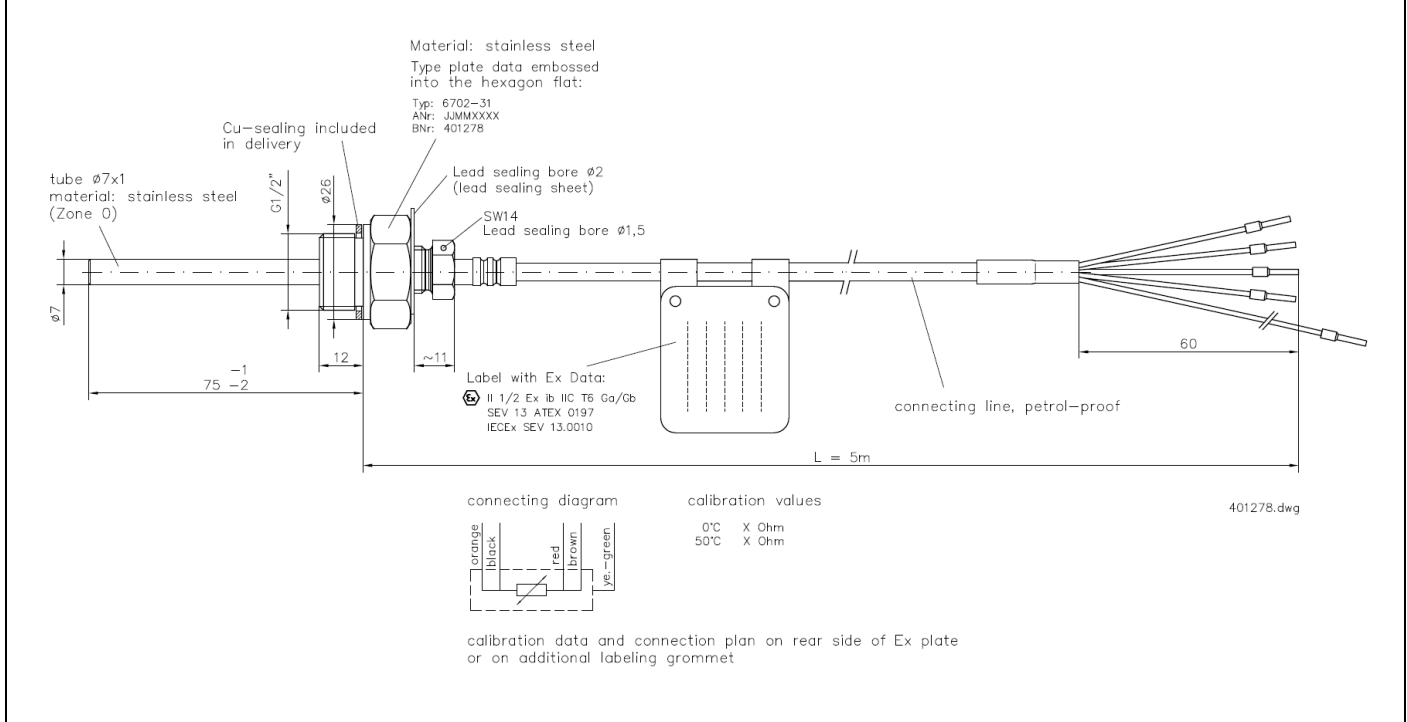
### Electrical data

Cable connection	5 m cable, four-wired, shielded, with open ends to the connection with evaluation electronics.
------------------	--

### Device-specific data

Measuring element	Pt 100 in accordance with DIN IEC 751, class B
Measuring range	- 30 °C ... + 100 °C
Response time	$t_{90} < 15$ s
Calibration points	0 °C and 50 °C

### Dimensions



### Ordering details

Designation	Order number
Temperature sensor Ex G1/2" flex. , type 6702-31	401278