



Description

The pressure monitor module is a constituent part of pressurised controls.

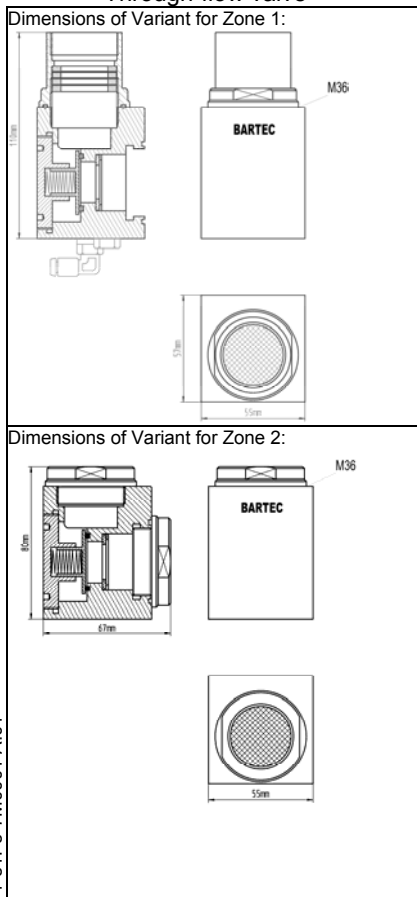
Various variants are available for applications in Zones 1, 2 and 22.

Function: pressure monitor module for Zone 1:

- Pressure monitor module
- Pickup points for measuring the flow rate

Function: pressure monitor module in Zones 2 and 22:

- Pressure monitor module
- Through-flow valve



Pressure Monitor Module

Technical data Type: 17-51P3-1.03

Approved for Zones
1

Temperature range
0°C to +80°C

Installation
in Ex p operating equipment

Mounting bore
Ø 37 mm

Connection
Quick plug-in connector for hose

Flying spark barrier
3-fold

Mounting position

- any position
- plastic body inside Ex p operating equipment

Opening pressure
3 mbar

Technical data Type: 17-51P3-1604

Approved for Zones
2 or 22

Temperature range
0°C to +80°C

Installation
in the ex pz/pD operating equipment

Mounting bore
Ø 37 mm

Flying spark barrier
two-fold (1x for each input and output)

Mounting position

- any position
- plastic body inside Ex pz/pD operating equipment

Opening pressure
3 mbar

Safety Instructions

The pressure monitor module may be used only within the specified temperature range.

Incorrect installation without protection can cause malfunctioning and the loss of explosion proofness.

The pressure monitor module may be connected and assembled only by qualified personnel who are authorised and trained to assemble electrical components in hazardous (potentially explosive) areas.

The pressure monitor module may be installed only in pressurised operating equipment.

Utilisation in areas other than those specified or the modification of the product by anyone other than the manufacturer will exempt BARTEC from liability for defects or any further liability.

The generally applicable statutory rules and other binding directives relating to workplace safety, accident prevention and environmental protection must be adhered to.

The pressure monitor module may be operated only if it is clean and not damaged in any way.

When used for Zone 22 applications, the pressure monitor module must be dusted at regular intervals.

Marking

Particularly important points in these instructions are marked with a symbol:

DANGER

Non-observance leads to death or serious physical injury. The necessary safety measures must be taken.

CAUTION

Warning of damage to property and financial and penal disadvantages (e.g. loss of guarantee rights, liability claims etc.).

ATTENTION

Important instructions and information on preventing disadvantageous behaviour.

NOTE

Important instructions and information on effective, economical and environmentally compatible handling.

Mounting and Commissioning

ATTENTION

Only authorised and qualified personnel may do any of the assembly, disassembly, installation and commissioning work.

CAUTION

The relevant installation and operating regulations must be observed when setting up or operating explosion-proof electric systems.

Check before assembly that the pressure monitor module is in perfect condition.

Assembly/disassembly

ATTENTION

The pressure monitor module may be installed only in pressurised operating equipment.

Only suitable tools may be used for the installation.

Installation

ATTENTION

It must be ensured that the measuring hoses are not damaged during installation/connection.

Commissioning

Before commissioning check that:

- the pressure monitor module has been installed in compliance with regulations
- the pressure monitor module is not damaged
- the connection has been established properly
- the measuring lines have been laid in an orderly fashion
- all screws have been tightened securely

Operation

DANGER

The pressure monitor module may be operated only within the technical limits that apply to it.

CAUTION

The pressure monitor module must not be technically modified.

Maintenance and Fault Clearance

The operator of the pressure monitor module must keep it good condition, operate and monitor it properly and clean it regularly.

NOTE

For fault clearance see the Operating Instructions for APEX controllers.

Disposal

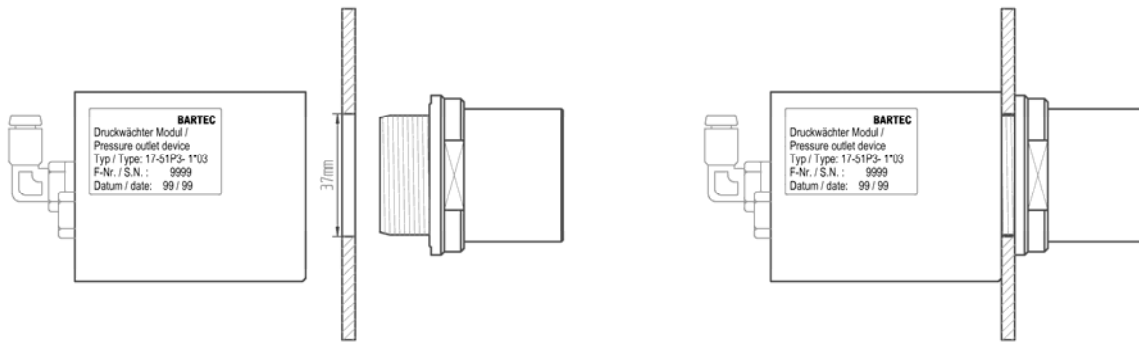
The components in the pressure monitor module contain metal and plastic parts.

Therefore the statutory requirements for electrical scrap must be observed (e.g. disposal by an approved disposal company).

Service address

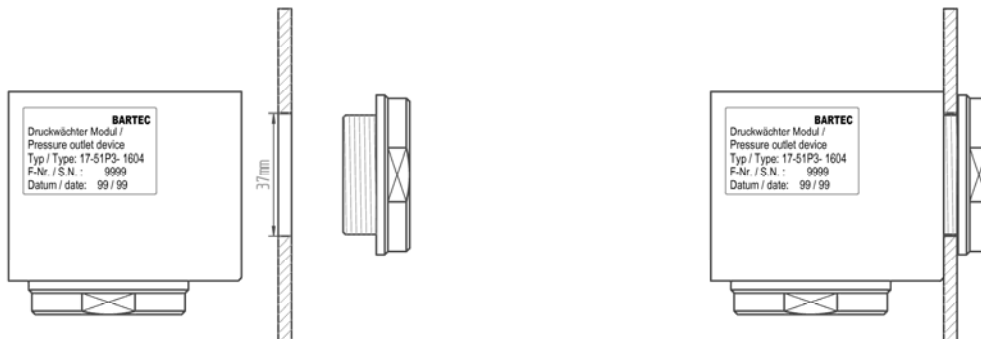
BARTEC GmbH
Max-Eyth-Straße 16
D-97980 Bad Mergentheim
Tel.: +49 7931 597-0
Fax: +49 7931 597-119

Mounting the Pressure Monitor Module for Zone 1 Type: 17-51P3-1.03



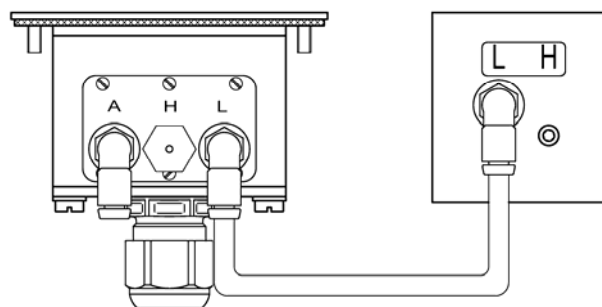
1. Drill a 37-mm-diameter borehole into the wall of the enclosure on the pressurised operating equipment.
2. The air outlet with integrated flying spark barrier is introduced through the borehole.
3. The plastic body is screwed to the air outlet inside the pressurised operating equipment.

Mounting the Pressure Monitor Module for Zones 2 and 22 type: 17-51P3-1604



1. Drill a 37-mm-diameter borehole into the wall of the enclosure on the pressurised operating equipment.
2. The air outlet with integrated flying spark barrier is introduced through the borehole.
3. The plastic body is screwed to the air outlet inside the pressurised operating equipment.

Connecting the Measuring Lines to the Pressure Monitor Module for Zone 1 type: 17-51P3-1.03



1. Connect the measuring hose (size 4 mm) to the sensor module connection "L".
2. Connect the measuring hose to the pressure monitor module connection "L".

Order numbers

Article number	Designation	Orifice size	Ex Zone
17-51P3-1403	Pressure monitor module	12 mm	1
17-51P3-1503	Pressure monitor module	15 mm	1
17-51P3-1603	Pressure monitor module	18 mm	1
17-51P3-1604	SILAS pressure monitor module	18 mm	2 or 22

11-51P3-7M0001-A.01