

A

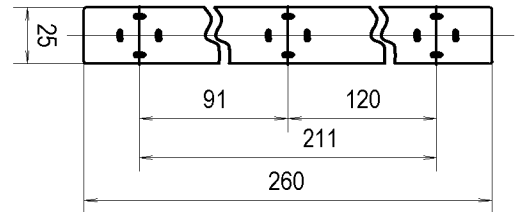
Installation instruction
mounting bracket
 61400013 (5 pieces per kit)

Installation of the heating tape on roof surfaces and gutters

Use the BARTEC "KAS" edge protection set to fasten the heating tape.

Caution!

Protect both the heating tape and the connection technology during installation from moisture. (There is a risk of moisture from residual water on the roof / in the gutter and / due to the weather.) Protection is only ensured if the connection and termination pieces are mounted.

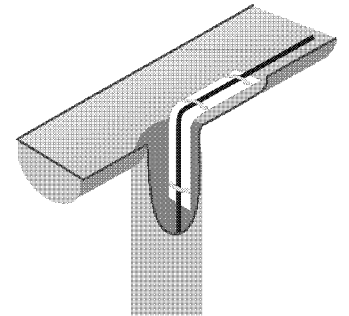


B

As edge protection at the overhang of the roof gutter to the downpipe:

For suspended installation in downpipes up to a max. 30 m, use the BARTEC "KAS"/"ASH" corner protection.

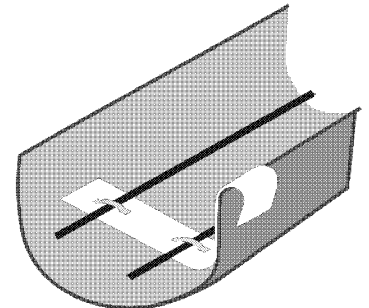
If the downpipe height is more than 30 m, use strain relief.



C

As a spacer in double laying:

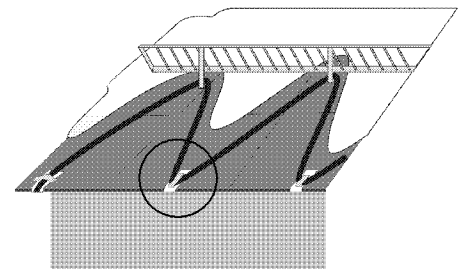
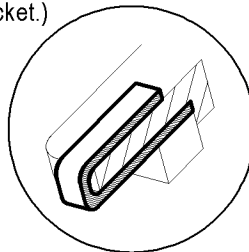
The distance between heating tapes in multiple laying (e.g. gutters on shed roofs) must be approx. 120 mm. Use the "ASH" spacer to affix them.



D

To fix or deflect the heating tape at the snow guards and the lower edges of the roof:

(Also see detail drawing for bending the mounting bracket.)

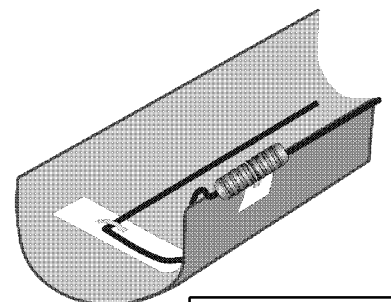


E

Example of assembly of TWISTO:

(with "ASH" spacer) To affix the TWISTO connection technology on the roof gutter edge:

The connection technology must be mounted at the same time as the heating tape is laid because penetrating moisture can damage the connection technology and also the heating tape. The connection technology must be mounted in a protected area e.g. under roof overhangs, under gutters, inside the building or on the edge of the roof gutter.



F

**Nur zur Info
 Wird vom
 Änderungsdienst
 nicht erfasst**

Weitergabe sowie Vervielfältigung dieser Unterlage, Verwertung und Mitteilung ihrer Inhalte sind ohne schriftliche Genehmigung des Herstellers ausdrücklich untersagt. Alle Rechte für den Fall der Patenterteilung oder Gebrauchsmuster-Eintragung vorbehalten.

	1	2	3				
Bearb.	16.02.1993	Pin	Norm		Zust./Datum	C 18.05.2006	
Gepr.	16.02.1993	gis			Änderung	0-06-095	Fri