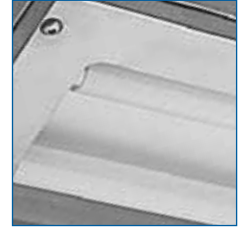




AVC-XG increased safety lighting fixtures for bi-pin fluorescent lamps

Installation: hazardous areas - Zone 1 / 2 (Gases) - Zone 21 / 22 (Dusts)

Classification: Group II - Category 2G 2D



REFERENCE STANDARDS

Directive 94/9/EC (until April 19th, 2016) - Directive 2014/34/EU (from April 20th, 2016)

EXECUTION	⊕ II 2 G Ex e q IIC T4 Gb ⊕ II 2 D Ex tb IIIC T80°C Db
RULES OF COMPLIANCE	EN/IEC 60079-0; EN/IEC 60079-5; EN/IEC 60079-7; EN/IEC 60079-31
EC Type-Examination Certificate	LCIE 13 ATEX 3052
PROTECTION DEGREE	IP65
AMBIENT TEMPERATURE	-20°C ÷ +60°C
OTHER AVAILABLE CERTIFICATES	IECEx: IECEx LCIE 13.0036 EAC: TC RU C-IT.ГБ08.В.01342 (-40°C÷+60°C)

Mechanical characteristics

Body	stainless steel AISI316L - thickness 1,5mm
Diffuser	high-temperature resistant borosilicate glass
Safety closing	by screw
Gaskets	silicon rubber
Internal reflector	white stove enamelled aluminium
Cable entry	2 x Ø20,5mm clearance hole (2 x Ø25,5mm clearance hole - on demand)

Electrical characteristics

Power supply	electronic ballast 96...254V AC 50/60Hz (cos p ≥ 0,95) / 96...130V DC
Lampholders	bi-pin G13 cap
Internal wiring	high-temperature resistant silicon rubber insulation cables
Terminals	suitable up to 4 sq/mm cables
Safety feature	with protections against over charge and over discharge

On request accessories:

- Pole mounting kit complete with stainless steel hardware
- Ceiling mounting kit complete with stainless steel hardware
- Pendant mounting kit complete with stainless steel hardware
- Wall/Structure mounting kit complete with stainless steel hardware
- Electronic ballast with voltage supply different than standard
- Voltage different than standard



AVC-XG Technical data

CODE	LAMP	TEMPERATURE CLASS (GAS)	TEMPERATURE CLASS (DUSTS)	LAMPHOLDER	ENTRY	EMERGENCY UNIT	AUTONOMY	DETAIL
------	------	-------------------------	---------------------------	------------	-------	----------------	----------	--------

FLUORESCENT LIGHTING FIXTURES FOR SINGLE AND TWIN LAMPS - POWER SUPPLY 96...254V AC 50/60Hz

AVC-XG-118	1 x 18W	T4	T 80°C	G13	2 x Ø20,5	-	-	A
AVC-XG-136	1 x 36W	T4	T 80°C	G13	2 x Ø20,5	-	-	A
AVC-XG-218	2 x 18W	T4	T 80°C	G13	2 x Ø20,5	-	-	A
AVC-XG-236	2 x 36W	T4	T 80°C	G13	2 x Ø20,5	-	-	A

EMERGENCY FLUORESCENT LIGHTING FIXTURES FOR SINGLE AND TWIN LAMPS - POWER SUPPLY 230/240V AC 50/60Hz

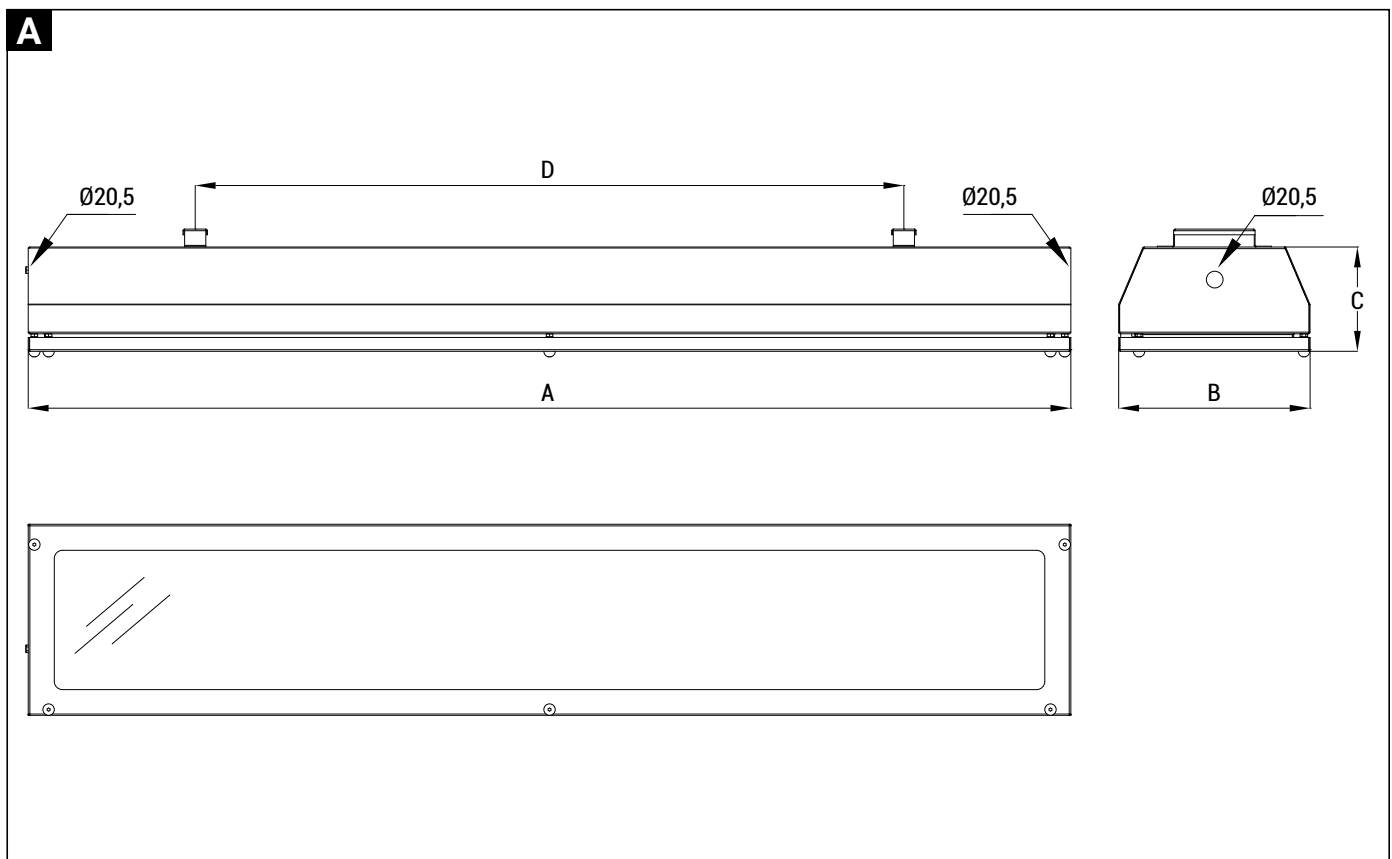
AVCE-XG-118	1 x 18W	T4	T 80°C	G13	2 x Ø20,5	7.2 V - 6Ah	120 min	A
AVCE-XG-136	1 x 36W	T4	T 80°C	G13	2 x Ø20,5	7.2 V - 6Ah	120 min	A
AVCE-XG-218	2 x 18W	T4	T 80°C	G13	2 x Ø20,5	7.2 V - 6Ah	120 min	A
AVCE-XG-236	2 x 36W	T4	T 80°C	G13	2 x Ø20,5	7.2 V - 6Ah	120 min	A

AVC-XG Technical features

CODE	A [mm]	B [mm]	C [mm]	D [mm]	WIGHT [Kg]	WIGHT [Kg] WITH EMERG.	CABLE ENTRY	DETAIL
AVC*-XG-118	670	235	128	400	8	9	2 x Ø20,5	A
AVC*-XG-136	1280	235	128	870	15	16	2 x Ø20,5	A
AVC*-XG-218	705	235	128	400	8	9	2 x Ø20,5	A
AVC*-XG-236	1280	235	128	870	15	16	2 x Ø20,5	A

*E: with emergency battery pack

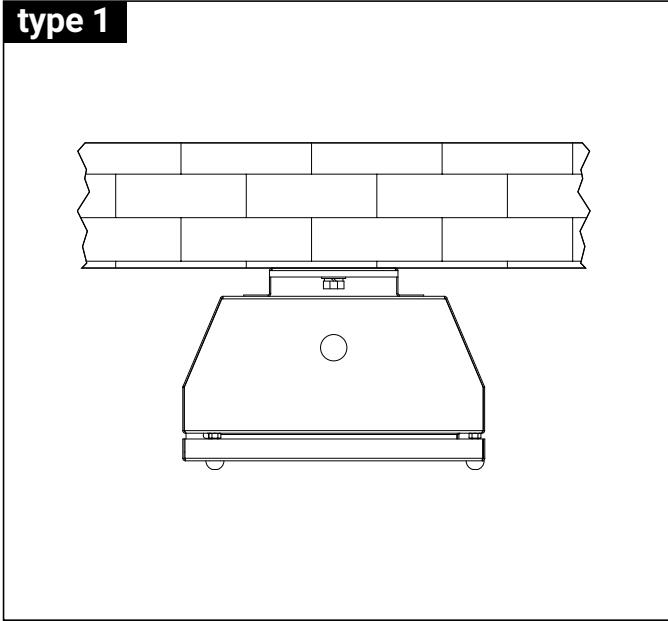
Reference details





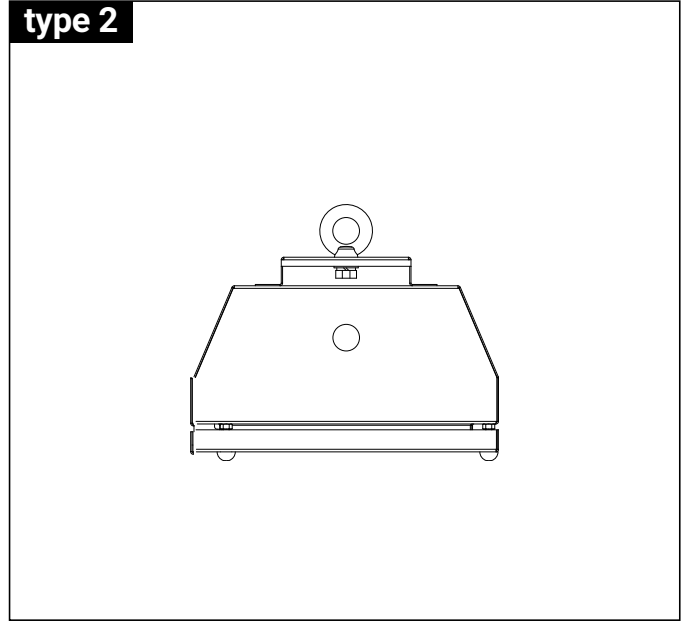
Ceiling mounting

type 1



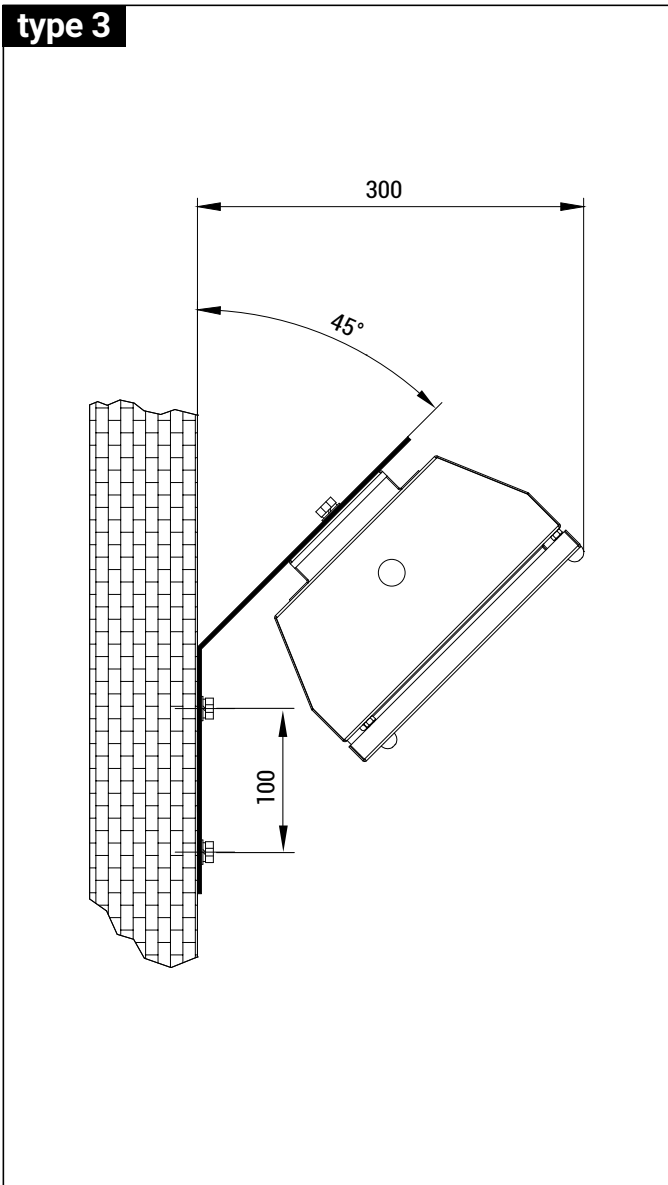
Pendant mounting

type 2



Wall/structure mounting

type 3



Pole mounting Assemblig detail with pole (typical)

type 4

