

EVO - EVT - TLF directly supplied lighting fixtures

Explosion Proof Electrical Equipment



Ex Lighting

Installation: hazardous areas - Zone 1 / 2 (Gases) - Zone 21 / 22 (Dusts)
Classification: Group II - Category 2G 2D



REFERENCE STANDARDS

Directive 94/9/EC (until April 19th, 2016) - Directive 2014/34/EU (from April 20th, 2016)

	EVO ⊕ II 2 G Ex d IIC T6-T5-T3 Gb ⊕ II 2 D Ex tb IIIC T85°C-T100°C-T200°C Db
EXECUTION	EVT ⊕ II 2 G Ex d IIC T6-T4-T3 Gb ⊕ II 2 D Ex tb IIIC T85°C-T150°C Db
	TLF ⊕ II 2 G Ex d / Ex de IIB T3 ⊕ II 2 D Ex td A21 T200°C
RULES OF COMPLIANCE	EN/IEC 60079-0; EN/IEC 60079-1; EN/IEC 60079-31; EN/IEC 61241-0; EN/IEC 61241-1
EC Type-Examination Certificate	INERIS 01 ATEX 0039X (EVO) INERIS 01 ATEX 0040 (EVT) INERIS 01 ATEX 0026 (TLF)
PROTECTION DEGREE	IP66
AMBIENT TEMPERATURE	-60°C ÷ +60°C (EVO - EVT) -20°C ÷ +52°C (TLF)
OTHER AVAILABLE CERTIFICATES	IECEX: IECEX INE 12.0018X (EVO) IECEX INE 12.0027X (EVT) INMETRO: CEPEL 12.2157 (EVO) CEPEL 12.2155 (EVT) EAC: TC RU C-IT.ГБ08.B.01342 (-60°C÷+60°C) (EVO - EVT) RUSSIAN MARINE CERTIFICATE (RMRS): 13.03516.315

Mechanical characteristics

Body	marine grade copper free aluminium
Diffuser	borosilicate frontal glass (EVT)
Diffuser	tempered frontal glass (EVO - TLF)
Painting	external epoxy powders grey RAL-9006 colour
Screws	external stainless steel
Gaskets	silicon rubber
Cable entry	3/4" NPT size threaded
Protection guard	galvanized wire steel (EVT ONLY)

Electrical characteristics

Power supply	standard voltage 230V - 50Hz
lampholders	porcelain E27 size
internal wiring	high-temperature resistant silicon rubber insulation cables
Terminals	suitable up to 4sq/mm cables

On request accessories:

- External painting colour on request
- Threaded cable entry different than standard

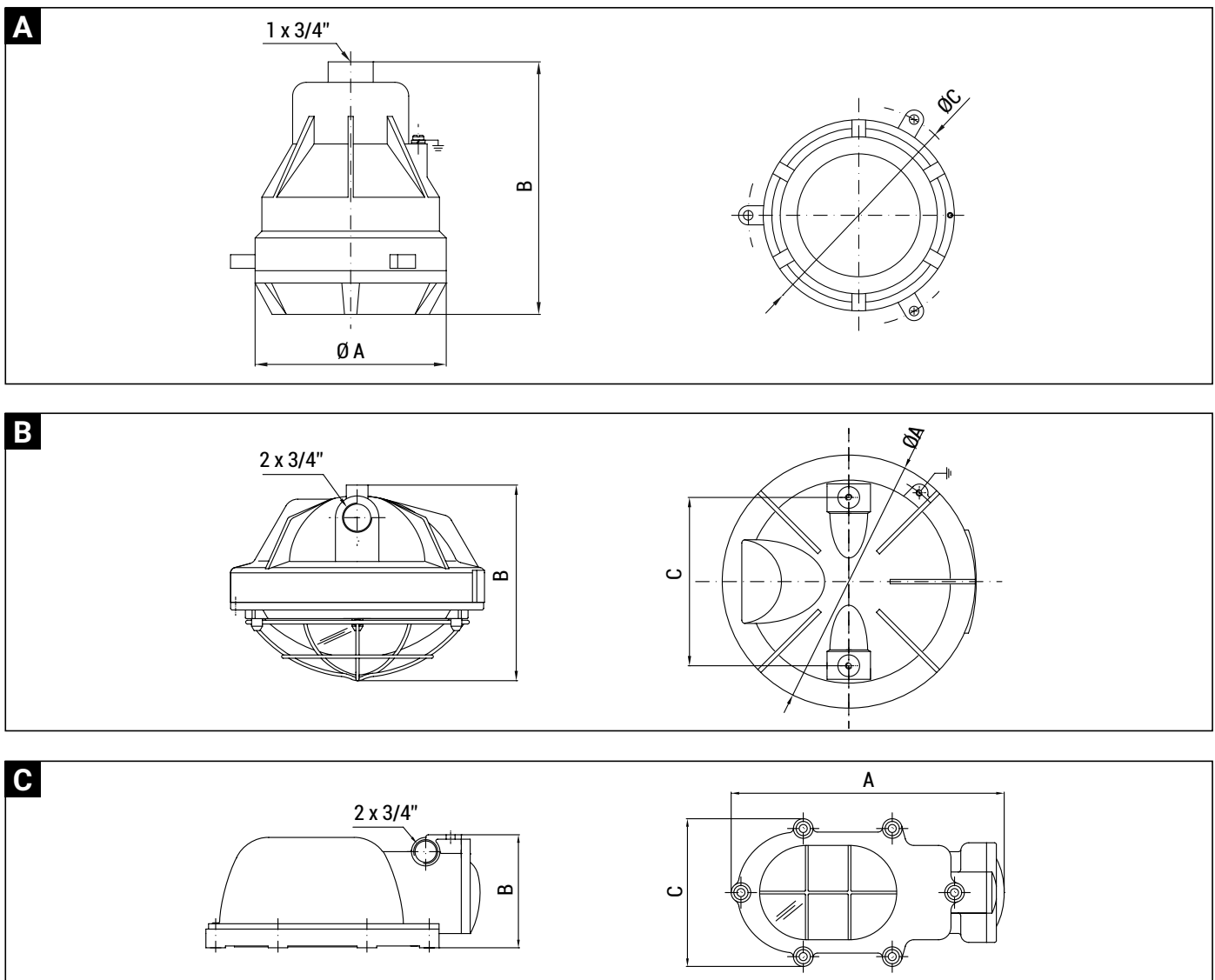
**EVO - EVT - TLF** Technical data

CODE	LAMP TYPE and POWER	TEMPERATURE CLASS (GAS)	TEMPERATURE CLASS (DUSTS)	LAMPHOLDER SIZE	CABLE ENTRY SIZE	DETAIL
LIGHTING FIXTURE DIRECTLY SUPPLIED - POWER SUPPLY 220/230V-50Hz						
EVO100	100W INCANDESCENT	T3	T 200°C	E-27	1x3/4"	A
	105W HALOGEN	T3	T 200°C	E-27	1x3/4"	A
	12W LED	T6 / T5	T 85°C / T 100°C	E-27	1x3/4"	A
EVT100	100W INCANDESCENT	T4 / T3	T135°C / T150°C	E-27	2x3/4"	B
	105W HALOGEN	T4 / T3	T135°C / T150°C	E-27	2x3/4"	B
	6W LED	T6	T 85°C	E-27	2x3/4"	B
TLF100	75W o 100W INCANDESCENT	T3	T 200°C	E-27	2x3/4"	C
LIGHTING FIXTURE FOR H.P.MERCURY VAPOUR LAMP - WITH SEPARATE CONTROL GEAR - POWER SUPPLY 230V-50Hz						
TLF100-80HG	80 W	T3	T 200°C	E-27	2x3/4"	C

EVO - EVT - TLF SFD-SFDE Technical features

CODE	A [mm]	B [mm]	C [mm]	WIGHT [Kg]	CABLE ENTRY	DETAIL
EVO100	Ø140	185	Ø162	2,00	1 x 3/4"	A
EVT100	Ø233	180	155	4,00	2 x 3/4"	B
TLF100	309	127	165	3,00	2 x 3/4"	C

Reference details



REMARK:

Due to the development of the national and international specifications and of the technology, the above technical characteristics showed on this bulletin can be considered as binding on our confirmation only.