

EVFG lighting fixtures for fluorescent tube lamps and LED



Installation: hazardous areas - Zone 1 / 2 (Gases) - Zone 21 / 22 (Dusts)
Classification: Group II - Category 2G 2D



REFERENCE STANDARDS

Directive 94/9/EC (until April 19th, 2016) and Directive 2014/34/EU (from April 20th, 2016)

EXECUTION	<ul style="list-style-type: none"> ⊕ II 2 G Ex d IIC T6 Gb ⊕ II 2 G Ex de IIC T6 Gb ⊕ II 2 D Ex tb IIIC T85°C Db
RULES OF COMPLIANCE	EN/IEC 60079-0; EN/IEC 60079-1; EN/IEC 60079-7; EN/IEC 60079-31;
EC Type-Examination Certificate	INERIS 12 ATEX 023X
PROTECTION DEGREE	IP66
AMBIENT TEMPERATURE	-20°C ÷ +60°C
OTHER AVAILABLE CERTIFICATES	IECEx: IECEx INE 13.0055X INMETRO: CEPPEL 13.2291X EAC: TC-RU C-IT.Г Ъ08.B.01342 (-45°C ÷ +60°C)

Mechanical characteristics

Body	marine grade copper free aluminium
Tubes	high-temperature resistant borosilicate glass tube
Painting	external epoxy powders grey ral-9006 colour
Screws	external stainless steel
Gaskets	silicon rubber O-Ring
Reflectors	white stove enamelled sheet steel
Cable entry	3/4" NPT size threaded

Electrical characteristics for fluorescent tube lamps

Power Supply	electronic ballast 110÷260Vac/dc (P.F.Corrected - Cos P ≥ 0,98)
Lampholders	Bi-Pin G13 Cap
Internal Wiring	105° C resistant silicon rubber insulation cables
Terminals	suitable up to 4sq/mm cables
Emergency Unit	emergency unit composed of inverter charger and Ni-Cd battery pack 4A/h 4.8v. autonomy 120min. LED power-on indicating lamp provided - (inverter) 220÷240V 50/60Hz

Electrical characteristics for LED lamps

Power Supply	100÷240V 50/60Hz (cos ρ ≥ 0,98)
Lampholders	Bi-Pin G13 Cap
Internal Wiring	105° C resistant silicon rubber insulation cables
Terminals	suitable up to 4sq/mm cables

On Request Accessories:

- Pole mounting kit complete with stainless steel hardware
- Ceiling mounting kit complete with stainless steel hardware
- Pendant mounting kit complete with stainless steel hardware
- Wall/Structure mounting kit complete with stainless steel hardware
- External painting colour on request
- Electronic ballast with voltage supply different than standard
- 3h autonomy battery pack
- Protection guard



EVFG Technical data

CODE	LAMP	TEMPERATURE CLASS (GAS)	TEMPERATURE CLASS (DUSTS)	LAMPHOLDER	EMERGENCY UNIT	AUTONOMY
------	------	-------------------------	---------------------------	------------	----------------	----------

FLUORESCENT LIGHTING FIXTURES FOR SINGLE AND TWIN LAMPS - POWER SUPPLY 110÷260Vac/dc

EVFG*18	1 x 8W	T6	T 85°C	G5	-	-
EVFG*28	2 x 8W	T6	T 85°C	G5	-	-
EVFG*118	1 x 18W	T6	T 85°C	G13	-	-
EVFG*218	2 x 18W	T6	T 85°C	G13	-	-
EVFG*136	1 x 36W	T6	T 85°C	G13	-	-
EVFG*236	2 x 36W	T6	T 85°C	G13	-	-
EVFG*158	1 x 58W	T6	T 85°C	G13	-	-
EVFG*258	2 x 58W	T6	T 85°C	G13	-	-

*d: for Exd version (Ex. EVFGd120LED) - Without "d" for Exde version (Ex. EVFG120LED)

EMERGENCY FLUORESCENT LIGHTING FIXTURES FOR SINGLE AND TWIN LAMPS - POWER SUPPLY (inverter) 220÷240V 50/60Hz

EVFG*E18	1 x 8W	T6	T 85°C	G5	4.8 V - 4Ah	120 min.
EVFG*E28	2 x 8W	T6	T 85°C	G5	4.8 V - 4Ah	120 min.
EVFG*E118	1 x 18W	T6	T 85°C	G13	4.8 V - 4Ah	120 min.
EVFG*E218	2 x 18W	T6	T 85°C	G13	4.8 V - 4Ah	120 min.
EVFG*E136	1 x 36W	T6	T 85°C	G13	4.8 V - 4Ah	120 min.
EVFG*E236	2 x 36W	T6	T 85°C	G13	4.8 V - 4Ah	120 min.
EVFG*E158	1 x 58W	T6	T 85°C	G13	4.8 V - 4Ah	120 min.
EVFG*E258	2 x 58W	T6	T 85°C	G13	4.8 V - 4Ah	120 min.

*d: for Exd version (Ex. EVFGdE236) - Without "d" for Exde version (Ex. EVFGE236)

EMERGENCY OPERATING WITH ONE TUBE LAMP ONLY AS STANDARD

LED LIGHTING FIXTURES FOR SINGLE AND TWIN LAMPS - POWER SUPPLY 100÷240Vac

CODE	LAMP	TEMPERATURE CLASS (GAS)	TEMPERATURE CLASS (DUSTS)	LAMPHOLDER	EMERGENCY UNIT	DIMENSIONALLY EQUIVALENT TO
EVFG*19LED	1 x 9W	T6	T 85°C	G13	-	1 x 18W fluorescent
EVFG*29LED	2 x 9W	T6	T 85°C	G13	-	2 x 18W fluorescent
EVFG*120LED	1 x 20W	T6	T 85°C	G13	-	1 x 36W fluorescent
EVFG*220LED	2 x 20W	T6	T 85°C	G13	-	2 x 36W fluorescent
EVFG*127LED	1 x 27W	T6	T 85°C	G13	-	1 x 58W fluorescent
EVFG*227LED	2 x 27W	T6	T 85°C	G13	-	2 x 58W fluorescent

*d: for Exd version (Ex. EVFGd120LED) - Without "d" for Exde version (Ex. EVFG120LED)

Note: LED tube lamps included along with lighting fixtures

EMERGENCY LED LIGHTING FIXTURES FOR SINGLE AND TWIN LAMPS - POWER SUPPLY 100÷240Vac

CODE	LAMP	TEMPERATURE CLASS (GAS)	TEMPERATURE CLASS (DUSTS)	LAMPHOLDER	EMERGENCY UNIT	AUTONOMY
EVFG*E19LED	1 x 9W	T6	T 85°C	G13	4.8 V - 4Ah	120 min.
EVFG*E29LED	2 x 9W	T6	T 85°C	G13	4.8 V - 4Ah	120 min.
EVFG*E120LED	1 x 20W	T6	T 85°C	G13	4.8 V - 4Ah	120 min.
EVFG*E220LED	2 x 20W	T6	T 85°C	G13	4.8 V - 4Ah	120 min.
EVFG*E127LED	1 x 27W	T6	T 85°C	G13	4.8 V - 4Ah	120 min.
EVFG*E227LED	2 x 27W	T6	T 85°C	G13	4.8 V - 4Ah	120 min.

*d: for Exd version (Ex. EVFGdE120LED) - Without "d" for Exde version (Ex. EVFGE120LED)

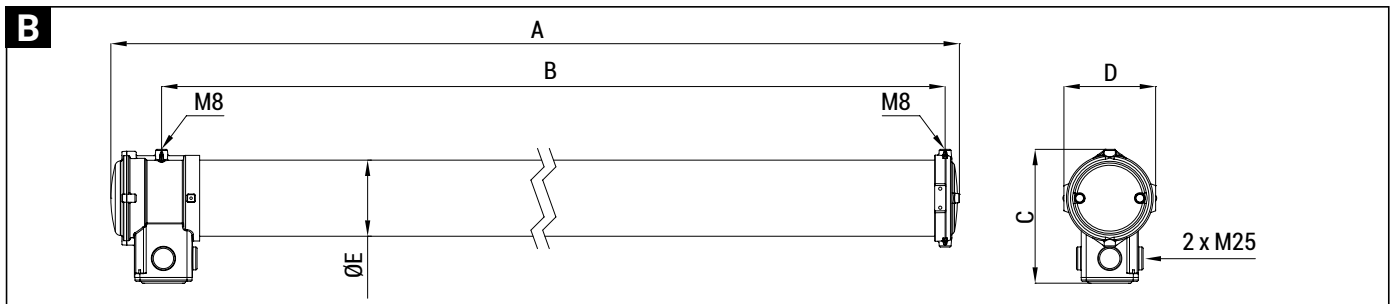
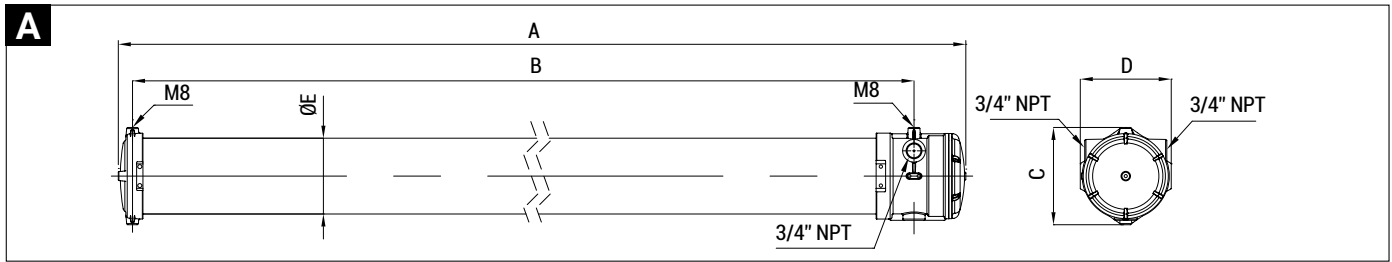
EMERGENCY OPERATING WITH ONE TUBE LAMP ONLY AS STANDARD

Note: LED tube lamps included along with lighting fixtures



EVFG Technical features

Reference details



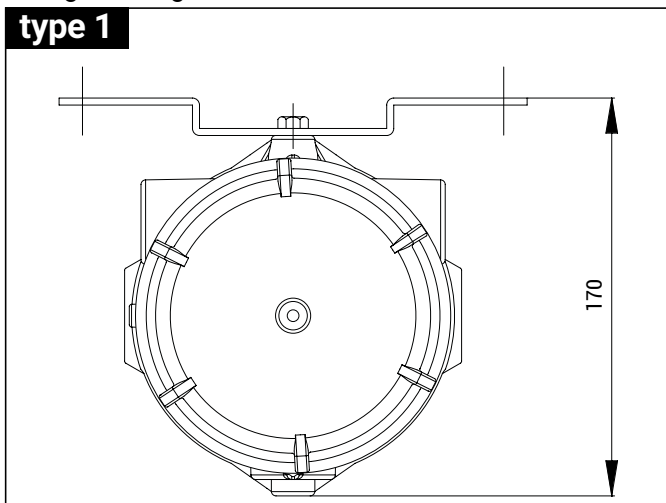
EVFG Technical features

CODE	A [mm]	B [mm]	C [mm]	D [mm]	ØE [mm]	WEIGHT [Kg] **	CABLE ENTRY	DETAIL
EVFGd*8	495	390	154	145	120	3,50	2 x 3/4"	A
EVFGdE*8						4,50		
EVFGd*18 / *9LED	745	640	154	145	120	5,00	2 x 3/4"	A
EVFGdE*18 / *9LED						6,70		
EVFGd*36 / *20LED	1345	1240	154	145	120	8,30	2 x 3/4"	A
EVFGdE*36 / *20LED						10,50		
EVFGd*58 / *27LED	1645	1540	154	145	120	10,00	2 x 3/4"	A
EVFGdE*58 / *27LED						11,40		
EVFG*8	495	390	218	145	120	4,00	2 x M25	B
EVFGE*8						5,00		
EVFG*18 / *9LED	745	640	218	145	120	5,80	2 x M25	B
EVFGE*18 / *9LED						7,50		
EVFG*36 / *20LED	1345	1240	218	145	120	9,00	2 x M25	B
EVFGE*36 / *20LED						11,20		
EVFG*58 / *27LED	1645	1540	218	145	120	10,80	2 x M25	B
EVFGE*58 / *27LED						12,20		

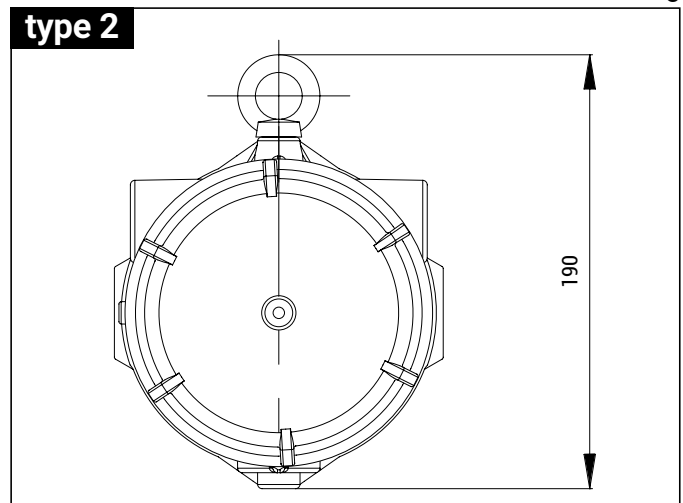
*= 1 or 2: 1= single lamp - 2= twin lamp

EVFG Installation and mounting details

Ceiling mounting



Pendant mounting

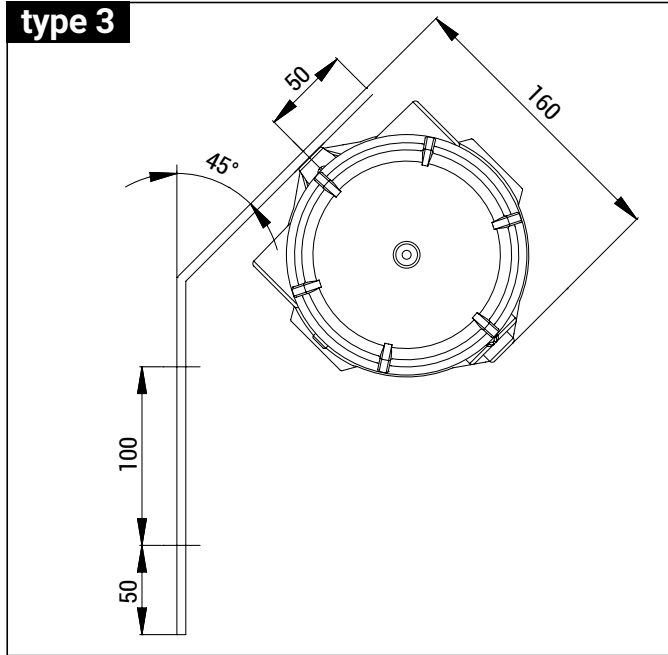




EVFG Installation and mounting details

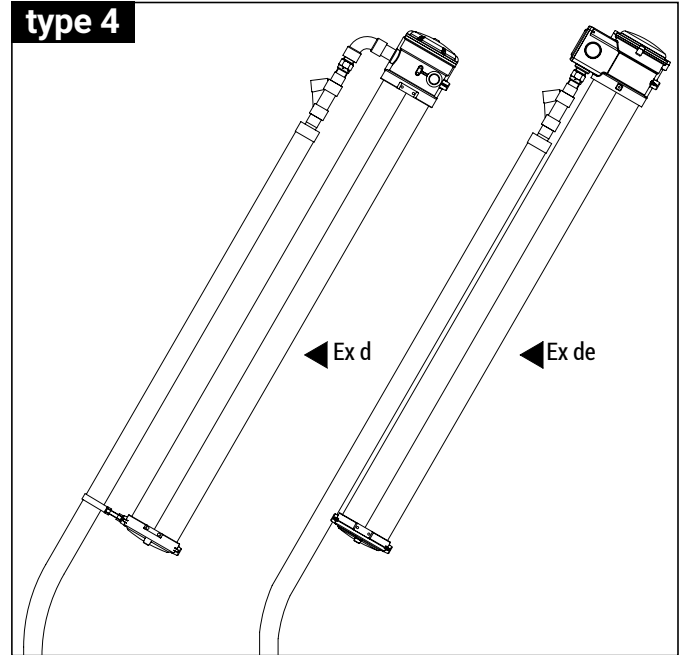
Wall/structure mounting

type 3



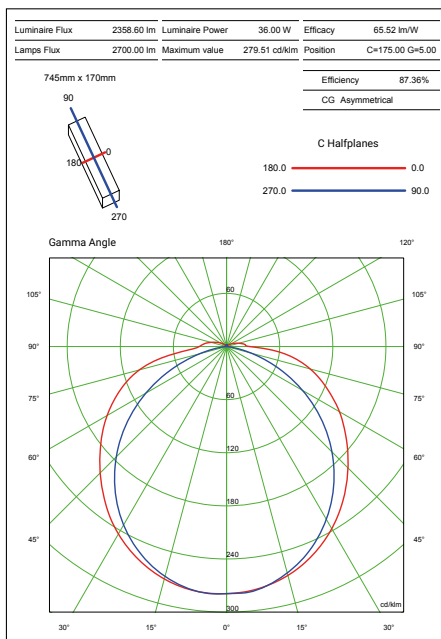
Pole mounting Assemblig detail with pole (typical)

type 4

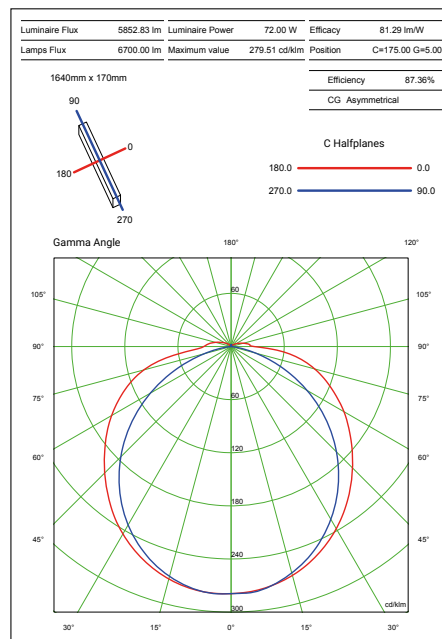


EVFG Polar diagrams – photometric data

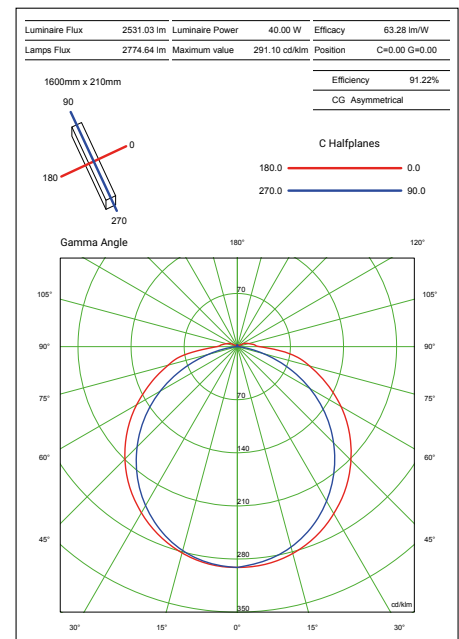
EVFG218



EVFG236



EVFG220LED



EVFG On request accessories

CODE	DESCRIPTION	INSTALLATION	MATERIAL
GUARDEVFG18	PROTECTION GUARD FOR 18W FL and 9W LED LIGHTING FIXTURES	-	H.D.G. GALVANIZED STEEL
GUARDEVFG36	PROTECTION GUARD FOR 36W FL and 20W LED LIGHTING FIXTURES	-	H.D.G. GALVANIZED STEEL
GUARDEVFG58	PROTECTION GUARD FOR 58W FL and 27W LED LIGHTING FIXTURES	-	H.D.G. GALVANIZED STEEL
GUARDEVFG18IX	PROTECTION GUARD FOR 18W FL and 9W LED LIGHTING FIXTURES	-	STAINLESS STEEL
GUARDEVFG36IX	PROTECTION GUARD FOR 36W FL and 20W LED LIGHTING FIXTURES	-	STAINLESS STEEL
GUARDEVFG58IX	PROTECTION GUARD FOR 58W FL and 27W LED LIGHTING FIXTURES	-	STAINLESS STEEL
20302.0121	CEILING MOUNTING KIT C/W HARDWARE	TYPE 1	GALVANIZED STEEL
20302.0103	PENDANT MOUNTING KIT C/W HARDWARE	TYPE 2	GALVANIZED STEEL
20302.0128	WALL/STRUCTURE MOUNTING KIT C/W HARDWARE	TYPE 3	GALVANIZED STEEL
20301.0163	POLE MOUNTING KIT (SIZE 1 1/2" DIA.) C/W HARDWARE	TYPE 4	GALVANIZED STEEL
20301.0162	POLE MOUNTING KIT (SIZE 2" DIA.) C/W HARDWARE	TYPE 4	GALVANIZED STEEL

REMARK:

Due to the development of the national and international specifications and of the technology, the above technical characteristics showed on this bulletin can be considered as binding on our confirmation only.