



Power junction box, single entry PBS

Features

- Wide temperature range
- Flame-retardant
- Impact-resistant

Description

Inside the junction box one heating circuit can be connected to the supply voltage.

One through hole allows the usage of 3/4" conduit. The power junction box is equipped with spring clamp terminals Ex e 10 AWG.

Explosion protection

Type

Class I, Div. 2, Groups A, B, C, D
Class II, Div. 2, Groups E, F, G
Class III

Certification

CSA 1862457

Technical data

Ingress protection

Type 4X

Ambient temperature range

-55 °C up to +55 °C (-67 °F up to 131 °F)

Power entry

1 x 3/4 inch

Material

Polyester, glass fibre reinforce

Max. voltage

240 V

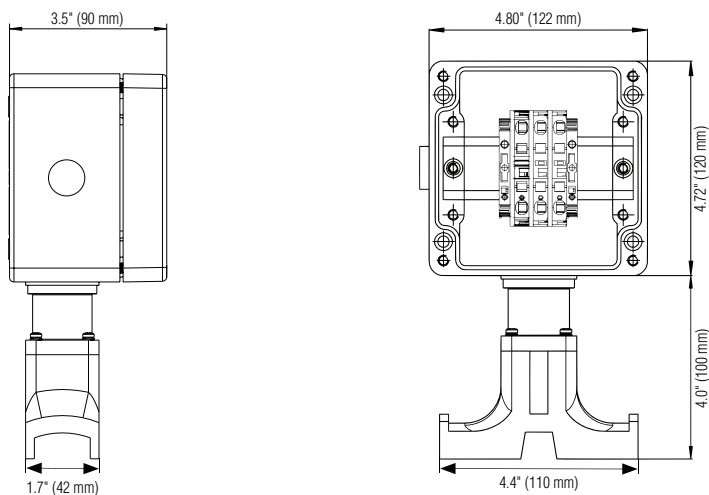
Terminals

spring clamp Ex e, 10 AWG

Max. current breaker rating

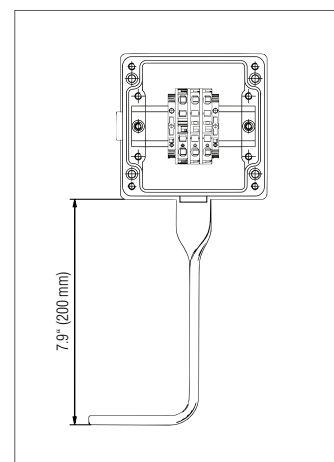
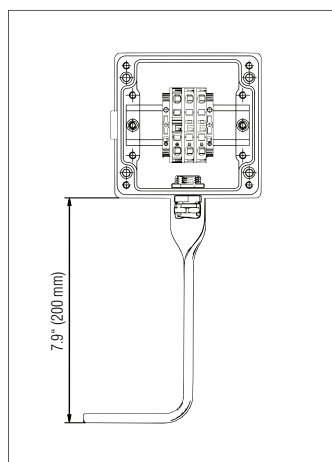
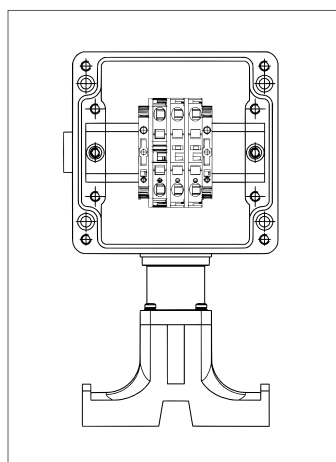
40 A

Dimensions



Selection chart

Designation	Description	Dimensions	Terminals (mm ²)	Catalog no.	Order no.
Polyester junction box, single entry	on pipe stand PSB/HSB	4.8 x 4.7 x 3.5 in (122 x 120 x 90 mm)	4 x 6; 2 x PE	PBS-200-A	27-54P1-4212/1610
	off pipe stand PSB/HSB	4.8 x 4.7 x 3.5 in (122 x 120 x 90 mm)	4 x 6; 2 x PE	PBS-300-A	27-54P1-4211/1610
	off pipe stand AHT	4.8 x 4.7 x 3.5 in (122 x 120 x 90 mm)	4 x 6; 2 x PE	PBS-310-A	product in certification
	off pipe stand MI cable	4.8 x 4.7 x 3.5 in (122 x 120 x 90 mm)	4 x 6; 2 x PE	PBS-400-A	product in certification



Catalog no	PBS-200-A on pipe PSB/HSB	PBS-300-A off pipe PSB/HSB PBS-310-A off pipe AHT	PBS-400-A off pipe MI cable
Ingress protection	Type 4X	Type 4X	Type 4X
Power entry	1 x 3/4 inch conduit	1 x 3/4 inch conduit	1 x 3/4 inch conduit
Heater cable entry	1 x D5 grommet	1 x M20 gland	1 x 3/4 inch
Box support	Mounting stand (engineered polyester)	Mounting plate (galv. or SS)	Mounting plate (galv. or SS)
Min. ambient temperature	-55 °C (-67 °F)	-55 °C (-67 °F)	-55 °C (-67 °F)
Max. ambient temperature	+55 °C (+130 °F)	+55 °C (+130 °F)	+55 °C (+130 °F)
Max. pipe temperature	+180 °C (+356 °F)	N/A	N/A
Terminals	Spring Clamp Ex e 2 line, 1 ground	Spring Clamp Ex e 2 line, 1 ground	Spring Clamp Ex e 2 line, 1 ground
Max. conductor size	10 AWG	10 AWG	10 AWG
Max. voltage	240 V	240 V	240 V
Max. current breaker rating	40 A	40 A	40 A