



## ELL End of line lamp

### Features

- Indication on heating circuit status
- Quick and easy installation
- Type 4X protection level

### Description

The lighted end seal combines the BARTEC ComEx series light indicator for PSB and HSB series self regulating tapes or AHT power limiting tapes.

The end seal properly terminates the heating circuits while providing visual information on the heating circuit status to the operator.

### Explosion protection

#### Type

Class I, Div. 2, Groups A, B, C, D  
Class II, Div. 2, Groups E, F, G  
Class III

#### Certification

CSA 1862457

### Technical data

#### Ingress protection

Type 4X

#### Ambient temperature range

-55 °C to +40 °C (-67 °F to + 104 °F)

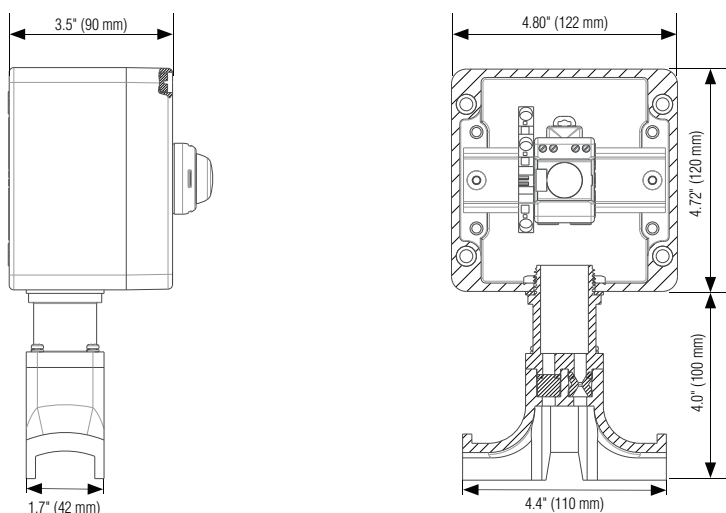
#### Material

Polyester, glass fibre reinforce

#### Lens color

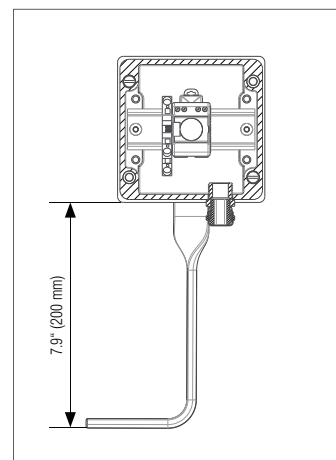
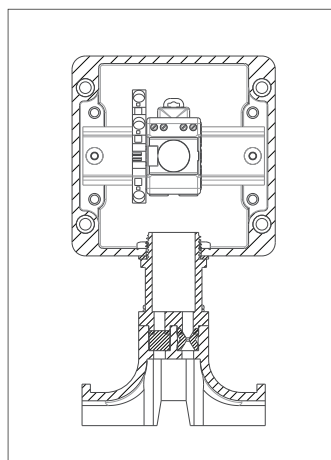
red

### Dimensions



### Selection chart

Designation	Description	Dimensions	Terminals (mm <sup>2</sup> )	Catalog no.	Order no.
Polyester junction box with LED light	on pipe stand PSB/HSB	4.7 x 4.8 x 3.5 in (120 x 122 x 90 mm)	4 x 2.5; 1 x PE	ELL-200-A	<b>27-54E1-4212/F010</b>
	off pipe stand PSB/HSB	4.7 x 4.8 x 3.5 in (120 x 122 x 90 mm)	4 x 2.5; 1 x PE	ELL-300-A	<b>27-54E1-4211/F010</b>
	off pipe stand AHT	4.7 x 4.8 x 3.5 in (120 x 122 x 90 mm)	4 x 2.5; 1 x PE	ELL-310-A	<b>product in certification</b>



Catalog no	ELL-200-A on pipe PSB/HSB	ELL-300-A off pipe PSB/HSB ELL-310-A off pipe AHT
<b>Ingress protection</b>	Type 4X	Type 4X
<b>Heater cable entry</b>	1 x D5 grommet	1 x M20 gland
<b>Box support</b>	Mounting stand (PPS)	Mounting plate (galv. or SS)
<b>Min. ambient temperature</b>	-55 °C (-67 °F)	-55 °C (-67 °F)
<b>Max. ambient temperature</b>	+40 °C (+104 °F)	+40 °C (+104 °F)
<b>Max. pipe temperature</b>	+180 °C (+356 °F)	N/A
<b>Terminals</b>	2.5 mm <sup>2</sup> , fine stranded	2.5 mm <sup>2</sup> , fine stranded
<b>Max. conductor size</b>	14 AWG	14 AWG
<b>Max. voltage</b>	240 V	240 V
<b>Voltage range</b>	AC 12 V to 240 V	AC 12 V to 240 V