



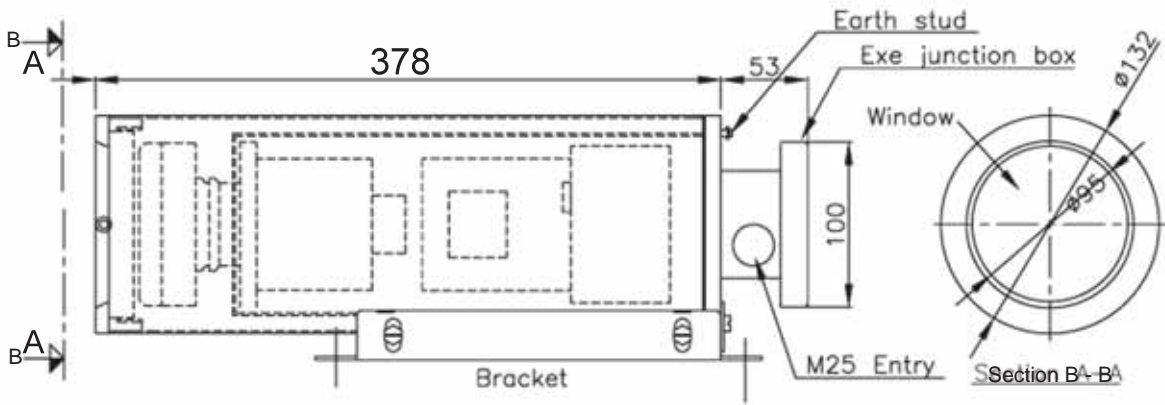


Lighting

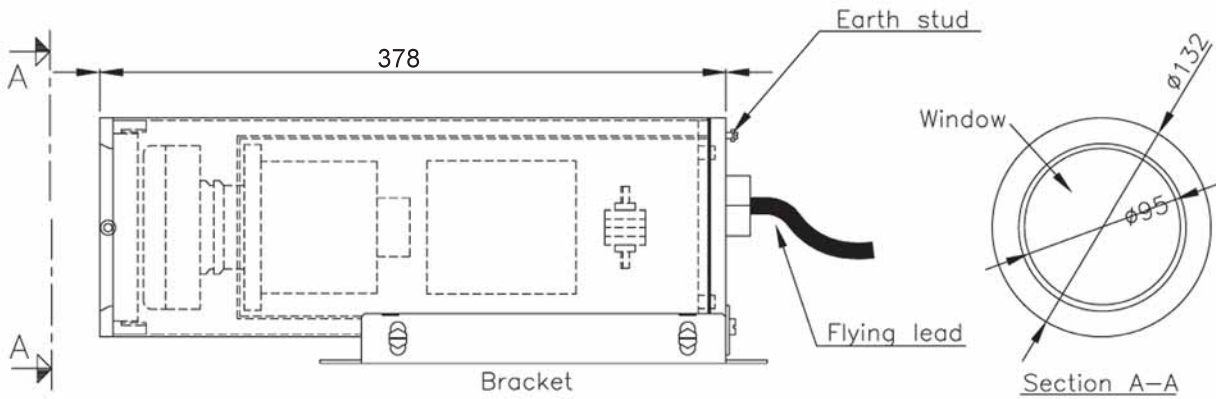
TNXCX, Flameproof Xenon Floodlight

BARTEC TECHNOR

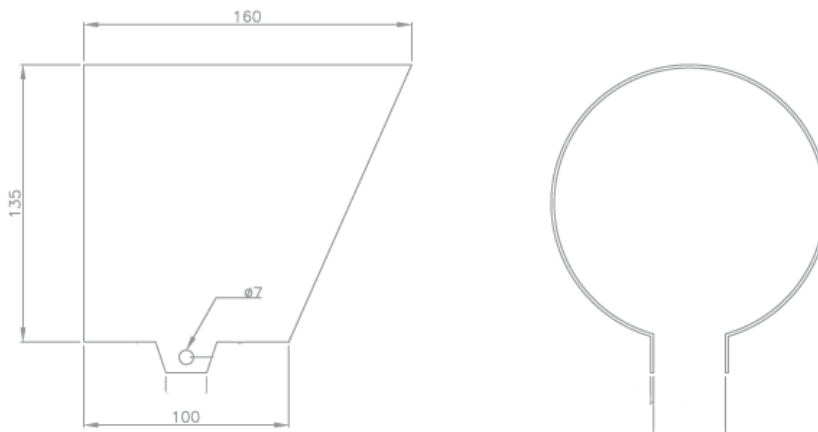
Ex de



Ex d Flying Lead



Accessories (Optional)



Canopy for extra protection against glaring



Lighting

TNXCX, Flameproof Xenon Floodlight

BARTEC TECHNOR

Hazardous area information & terminology

ATEX Directive

The ATEX Directive, derived from the French “AT mosphères EXplosibles” and formally known as 94/9/EC, contains the ESR (Essential Safety Requirements) to which electrical equipment and protective systems used within potentially explosive atmospheres must conform.

The new ATEX Directive currently in place within the European Union was made mandatory on 1st July 2003. Primarily intended for manufacturers of hazardous area equipment for use in the presence of flammable gases, vapours, fumes or dusts, the new directive requires a quality management system to be implemented.

Procedures for the design, manufacture and verification of products are to be approved by a notified body (i.e. DNV, NEMKO, etc.) and all equipment conforming to the new directive will feature CE and Ex Marking.

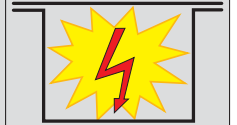
Zone Classification with the presence of GAS

Zone 1 (Category 2)	An area in which explosive gas is likely to be present during normal operation of the plant.
Zone 2 (Category 3)	An area in which explosive gas is not continuously present, but may exist for a short period of time.

Applicable EX protection

Ex d Protection

Parts, which can ignite a potentially explosive atmosphere, are surrounded by an enclosure, which are designed to withstand the pressure of an internal explosion and to prevent the propagation of the explosion to the atmosphere surrounding the enclosure.



Ex e Protection

for electrical components that do not spark under normal working conditions but where measures are applied to prevent high temperatures and the occurrence of arcs and sparks internally.

