

Cylindrical Flameproof Enclosures

TNXCD/TNXCC Ex d IIC/Ex de IIC /Ex t IIIC



The TNXCD/TNXCC range of Ex d IIC/Ex de IIC enclosures are manufactured in SS316L/CF-3M and are designed as slim, compact, multipurpose cylindrical enclosures.

We build your product to your specifications or you can buy empty enclosures with chosen size, entries and glass/dome.

Examples of applications:

- Laser distance measuring
- Laser gas spectrum analysis and detection
- Global positioning receiver antenna
- Omni directional radio antenna
- Pan-Tilt-Zoom camera
- Fixed camera
- Xenon Flood light
- Motion Reference Unit (MRU)
- Flameproof rotating axel



Explosion protection

Marking Empty enclosure

| | |
|---------|--|
| Marking | Ex II 2 GD and EPL Gb/Db Ex db IIC Gb or Ex de IIC Gb or Ex tb IIIC Gb |
|---------|--|

| | |
|--------------------|--------------------|
| Certification ATEX | DNV 21 ATEX 45966U |
|--------------------|--------------------|

| | |
|-------|--------------------|
| IECEX | IECEX DNV 21.0001U |
|-------|--------------------|

| | |
|-----------|---|
| Standards | EN/IEC 60079-0 EN 60079-1 EN 60079-7 IEC 60079-31 EN 60079-11 |
|-----------|---|

Marking complete enclosure

| | |
|---------|--|
| Marking | Ex II 2 GD and EPL Gb/Db Ex db IIC Gb or Ex de IIC Gb or Ex tb IIIC Gb |
|---------|--|

| | |
|--------------------|------------------------|
| Certification ATEX | DNV-2004-OSL-ATEX-0115 |
|--------------------|------------------------|

Technical data

| | |
|----------|----------------------|
| Material | Stainless Steel 316L |
|----------|----------------------|

| | |
|-----------|------------------------------------|
| IP rating | IP 66 (IP 67 and IP 68 on request) |
|-----------|------------------------------------|

| | |
|---------------------|-----------------------|
| Ambient temperature | max. -50 °C to +60 °C |
|---------------------|-----------------------|

| | |
|---------|---|
| Entries | Ex e glands and Ex d bushings, or Ex d glands only |
|---------|---|

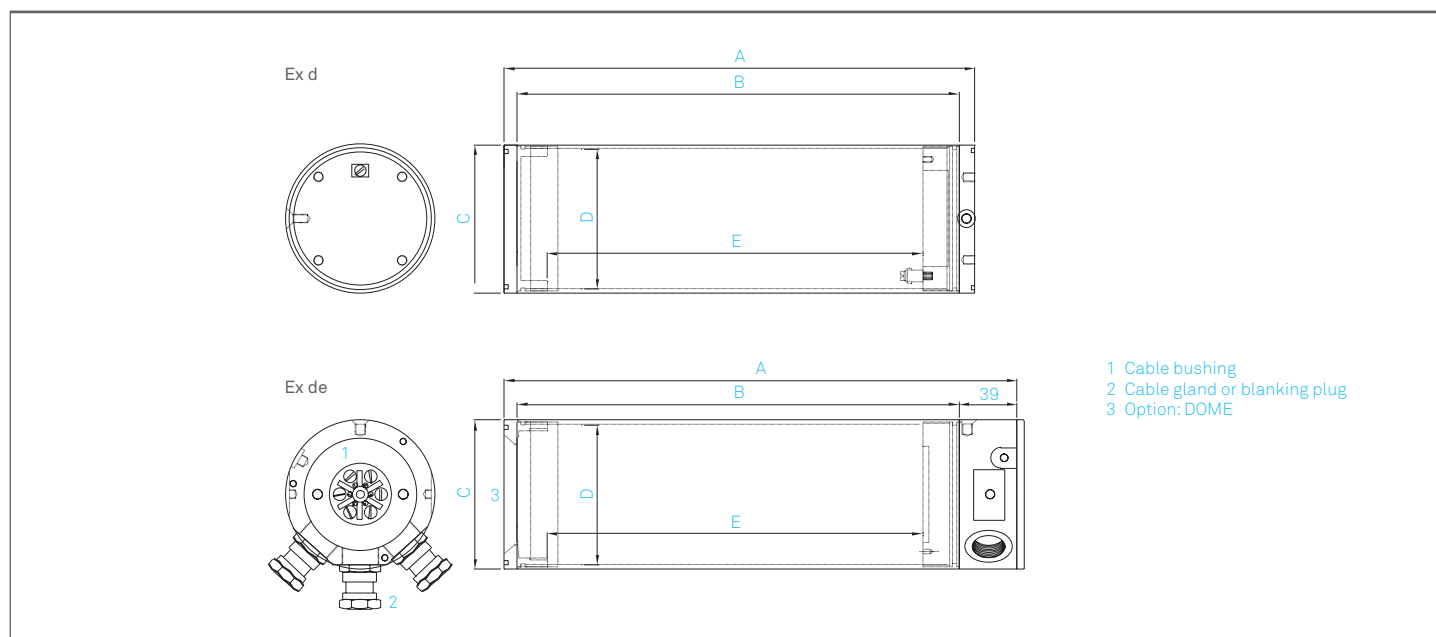
| | |
|--------------------------|-----|
| Standard Ex e gland size | M25 |
|--------------------------|-----|

| | |
|-----------------|----------------------------|
| Ex d gland size | According to specification |
|-----------------|----------------------------|

| | |
|--------------|---|
| Ex d bushing | According to specification Maximum M42 |
|--------------|---|

| | |
|------------|----------------------------|
| Glass/dome | According to specification |
|------------|----------------------------|

Dimensions



Selection chart

TNXCD, Ex d IIC

| TNXCD | A Total length (mm) | B Tube length (mm) | C Diameter (mm) | D Internal diameter (mm) | E Internal length (mm) | F Junction box (mm) | Weight (kg) | Ø Window/ Dome (mm) |
|------------|---------------------------|--------------------------|-----------------------|--------------------------------|------------------------------|---------------------------|----------------|------------------------------|
| XCD1003200 | 217 | 193 | 101 | 95 | 155 | N/A | 3,3 | 68 |
| XCD1003360 | 384 | 360 | 101 | 95 | 315 | N/A | 4,1 | 68 |
| XCD1303100 | 120 | 100 | 132 | 126 | 55 | N/A | 4,0 | 95 |
| XCD1303200 | 220 | 200 | 132 | 126 | 155 | N/A | 5,3 | 95 |
| XCD1303360 | 380 | 360 | 132 | 126 | 315 | N/A | 7,0 | 95 |
| XCD1553184 | 194 | 184 | 158 | 149 | 134 | N/A | 7,0 | 112 |
| XCD1953290 | 310 | 290 | 195 | 187 | 238 | N/A | 13,0 | 155 |

Selection chart

TNXCD, Ex de IIC

| TNXCD | A Total length (mm) | B Tube length (mm) | C Diameter (mm) | D Internal diameter (mm) | E Internal length (mm) | F Junction box (mm) | Weight (kg) | Ø Window/ Dome (mm) |
|------------|---------------------------|--------------------------|-----------------------|--------------------------------|------------------------------|---------------------------|----------------|------------------------------|
| XCD1002200 | 248 | 193 | 100 | 95 | 155 | 39 | 3,9 | 68 |
| XCD1002360 | 415 | 360 | 100 | 95 | 315 | 39 | 4,8 | 68 |
| XCD1301100 | 161 | 100 | 130 | 126 | 55 | 45 | 5,6 | 95 |
| XCD1301200 | 261 | 200 | 130 | 126 | 155 | 45 | 6,9 | 95 |
| XCD1301360 | 421 | 360 | 130 | 126 | 315 | 45 | 8,6 | 95 |
| XCD1551184 | 257 | 184 | 158 | 149 | 134 | 59 | 10,2 | 112 |
| XCD1951290 | 389 | 290 | 195 | 187 | 238 | 59 | 17,1 | 155 |