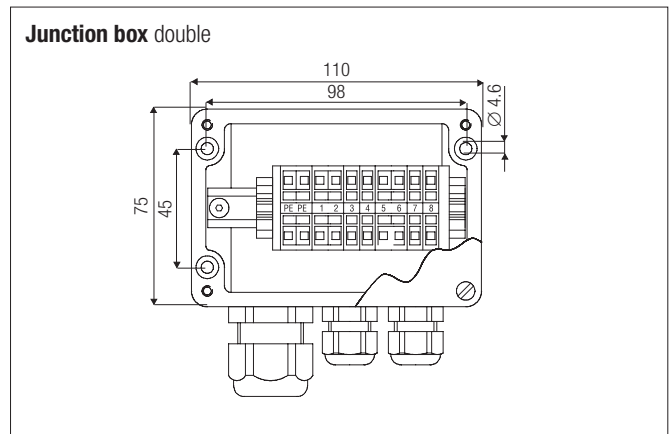
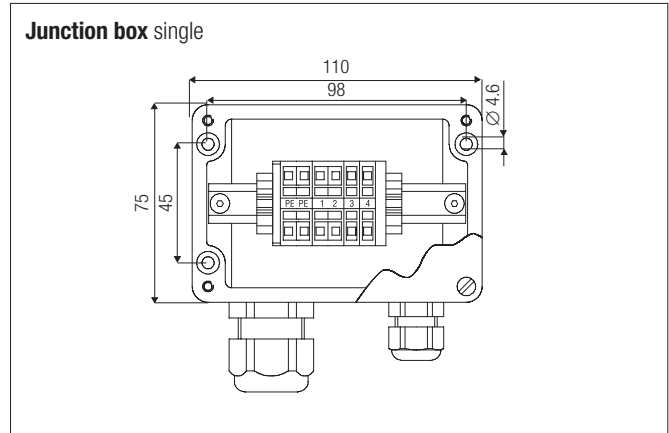




The polyester junction boxes allow one or more two-wire or three-wire Pt100 M resistance thermometers to be connected to the signal line. The enclosures have the appropriate terminals and the required cable glands. Aluminium junction boxes are available upon request.

Technical data

Protection class according to EN 60529	Cover gasket IP 65 Cable gland for power supply cables IP 67
Nominal voltage	max. AC 60 V
Supply cable, cross section	2.5 mm ²
Impact resistance	7 Nm
Material	polyester, glass-fibre reinforced
Ambient temperature range	-20 °C to +70 °C



Ordering information

Used for	Junction box	Dimensions mm	Cable gland for the signal line	Cable gland Pt100	Terminals mm ²	Order no.
Pt100 media-protected	single	110 x 75 x 55	1 x M25 (Ø 8 to 15 mm)	1 x M16 (Ø 2 to 6 mm)	8 x 2.5	07-5177-9082
	double			2 x M16 (Ø 2 to 6 mm)	16 x 2.5	07-5177-9083

Technical data subject to change without notice.