

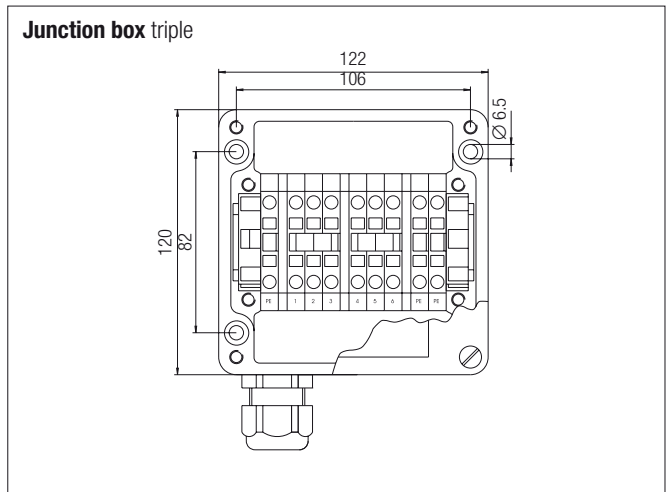
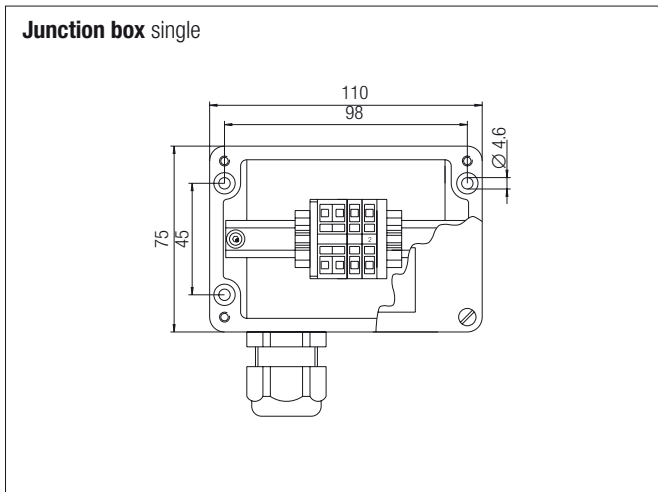
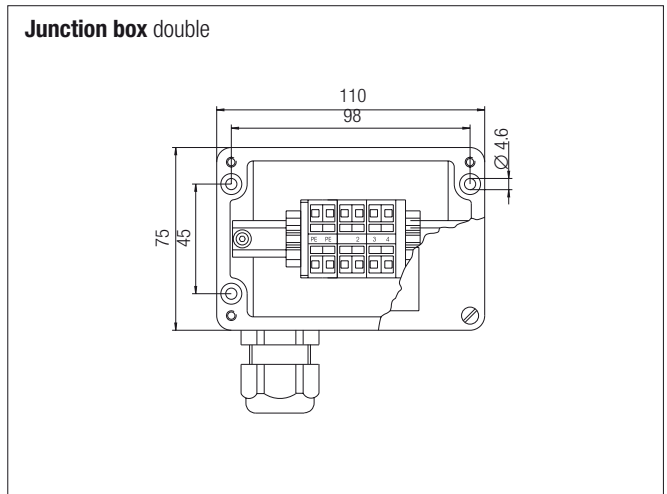


- Minimal installation space
- High protection class IP 65
- Easy installation

Up to three heating circuits can be connected directly to the supply voltage with the polyester junction boxes. The enclosures have the appropriate number of terminals and the necessary cable glands resp. the threaded holes. Aluminium junction boxes are available on request.

**Technical data**

Protection class according to EN 60529	Cover gasket IP 65 Cable gland for power supply cables IP 67
Supply voltage	max. AC 254 V
Rated cross-section of supply cable	see ordering information
Impact resistance	7 Joule
Material	polyester, glass-fibre reinforced
Gland size/cable diameter	M20 Ø 10 to 14 mm



**Ordering information**

Used for connection system	Junction box	Dimensions mm	Cable gland for power supply	Cable gland for heating circuit	Terminals mm <sup>2</sup>	Order no.
Heat shrink or cold-applied technology	single	110 x 75 x 55	1 x M20 (Ø 10 to 14 mm)	1 x M20	4 x 2.5; 4 x PE	<b>07-5177-9024</b>
	double	110 x 75 x 55	1 x M20 (Ø 10 to 14 mm)	2 x M20	8 x 2.5; 4 x PE	<b>07-5177-9025</b>
	triple	122 x 120 x 90	1 x M20 (Ø 10 to 14 mm)	3 x M20	12 x 6; 6 x PE	<b>07-5177-9026</b>

Corresponding installation accessories can be found in the chapter on "Installation accessories for PSBL/PSB/MSB/HSB/HTSB/EKL/EMK"

Technical data subject to change without notice.