

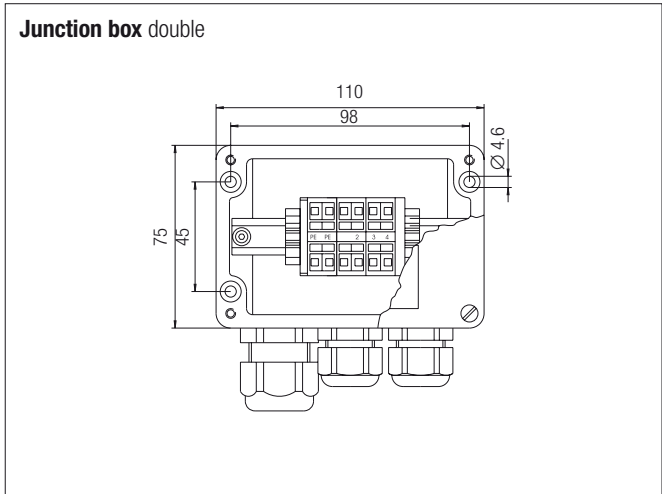


With the polyester connection housings, up to three heating circuits can be connected to the supply voltage via a hose line. The enclosures have the appropriate number of terminals and the necessary cable glands resp. the threaded holes. Aluminium junction boxes are available on request.

Technical data

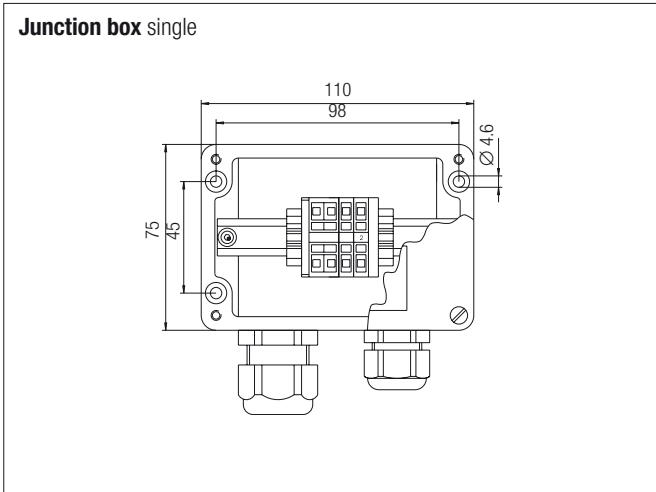
Protection class according to EN 60529	Cover gasket IP 65 Cable gland for power supply cables IP 67
Supply voltage	max. AC 254 V
Rated cross-section of supply cable	see ordering information
Impact resistance	7 Joule
Material	polyester, glass-fibre reinforced
Gland size/cable diameter	M20 Ø 6 to 13 mm M25 Ø 7 to 12/17 mm

Junction box double

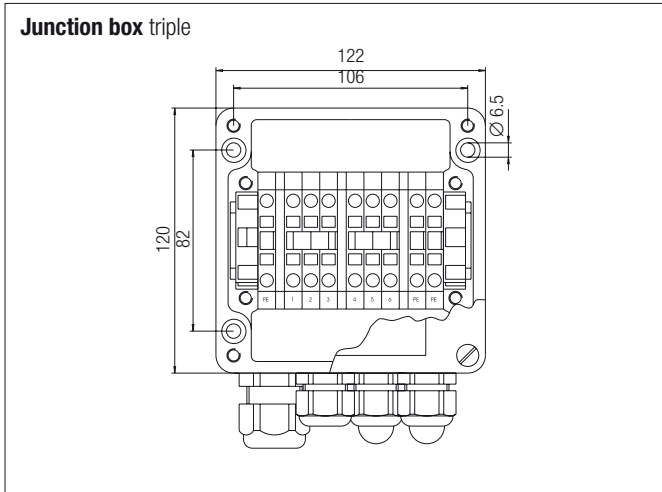


1

Junction box single



Junction box triple



Ordering information

Used for connection system	Junction box	Dimensions mm	Cable gland for power supply	Cable gland for heating circuit	Terminals mm ²	Order no.
TWISTO-B	single	110 x 75 x 55	1 x M25 (Ø 7 to 17 mm)	1 x M20	4 x 2.5; 4 x PE	07-5177-9021
	double	110 x 75 x 55	1 x M25 (Ø 7 to 17 mm)	2 x M20	8 x 2.5; 4 x PE	07-5177-9022
	triple	122 x 120 x 90	1 x M25 (Ø 7 to 17 mm)	3 x M20	12 x 6; 6 x PE	07-5177-9023

Corresponding installation accessories can be found in the chapter on "Installation accessories for PSBL/PSB/MSB/HSB/HTSB/EKL/EMK"

Technical data subject to change without notice.