



DEPU serves as complete solution for pipe heating and provides temperature control, limitation and power output control in one device. DEPU is ATEX-certified and approved for use in potentially explosive areas.

- Complete solution for trace heating: controller, limiter and power setpoint adjustment all in one unit
- Alteration of adjusting parameters also possible in potentially explosive areas
- Current carrying capacity 25 A
- Fault-free full wave control
- Sensor input, intrinsically safe
- Allows easy output adaptation to heating circuit changes

Explosion protection

Marking	Ⓔ II 2G EEx m e ib [ib] IIC T4
Certification	TÜV 03 ATEX 2088
Other approvals and certificates, see www.bartec.de	

Technical data

Enclosure	Standard enclosure of aluminium, grey
Protection class	IP 65
Terminals	Wago cage clamp
Cable entries	Mains supply line 1 x M25 (M32 opt.) Heating cable/cold end 1 x M20 Fault alarm 1 x M20 Remote reset 1 x M20 Sensor 2 x M16
Storage temperature	-30 °C to +70 °C
Ambient temperature	-20 °C to +40 °C
Weight	6 kg
Guidelines	Directive 94/9/EG, NAMUR NE 21, EN 50020, EN 50019, EN 50028, EN 50014

Structure

All functional units are integrated in a standard Ex e aluminium enclosure. Connection to mains is established through 6 mm² tension clamp terminals.

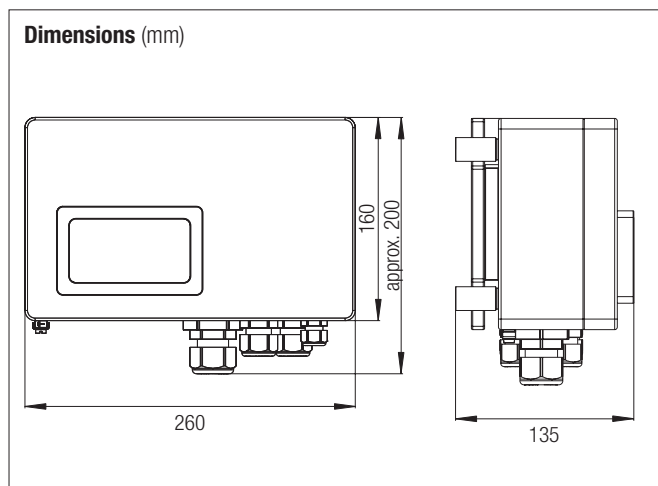
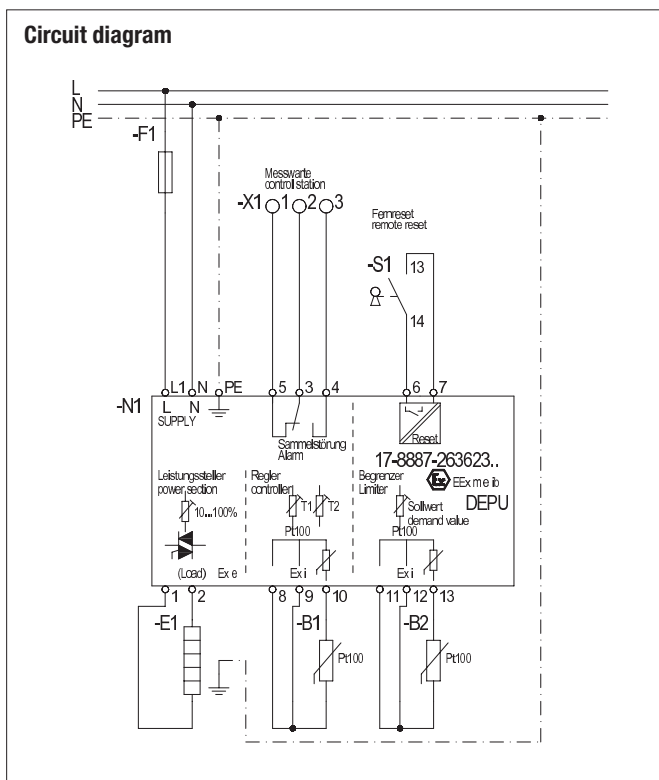
Function

The controller is designed as a ON/OFF controller and measures the temperature through RTD sensor inputs. The limiter works as an independent system and measures the temperature at the hot spot with its own sensor. If the temperature exceeds the limit value the limiter interrupts the heating circuit permanently from mains and a fault alarm signal is given.

The power output controller works in interference free full wave control mode by means of a semi-conductor relay. Two 7-segment displays guarantee good readability of the controller and limiter temperature values through the lid's window.

Electrical data

Supply voltage	AC 230 V +10 %/-15 % (50 to 60 Hz) (special voltage 254 V on request)
Rated current - power setpoint adjuster	max. 25 A
Power consumption	no load P = 11 VA full load P _{max} = 5.7 kVA
Relay outputs	Master fault control-1 changeover contact, 250 V/5 A
Measuring input (intrinsically safe)	Pt100 (2 or 3 conductors)
Measuring range Pt100	0 °C to +450 °C
Resolution/measuring accuracy	1 K



Ordering information

DEPU	17-8887-2636/2300
3-wire Pt100 up to 200 °C	03-9040-0006
3-wire Pt100 up to 400 °C	03-9040-0016

Technical data subject to change without notice.