



- Four floating contacts
- Three-line LCD
- LED status indicator
- Safety-related control system
- Integrated multiport valve

The APEX 2003.MV control unit controls and monitors the pre-purge and operating phase of small, separate, pressurised enclosure housings with a maximum internal volume of 70 litres. The parameters are adjusted using rotary switches and keys. There is the option to transmit the parameters via an RS 485 interface. The control unit features two freely programmable relays and one non-floating release contact.

Explosion protection

ATEX marking	Ex II 2(1)G Ex db eb ib [ia Ga] [pXB] IIC T4 Gb
Certification	DMT 99 ATEX E 082
Other approvals and certificates, see www.bartec.com	
Ambient temperature	-20 °C to +40 °C

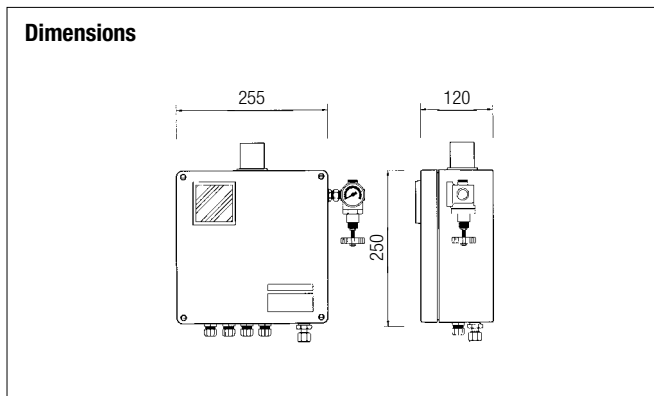
Technical data

Directives	Directive 2014/30/EU Directive 2014/34/EU
Structure	Ex e protective housing with viewing pane in the cover
Housing material	Fibreglass-reinforced polyester
IP rating	IP 65
Terminals	2.5 mm ² , fine-wire
Purge gas connection	10 mm dia.
Pressure sensors	MIN. A/B = 0 to 25 mbar MAX. = 0 to 25 mbar DIFF. A/B = 0 to 25 mbar
Pre-purge time	0 to 99 min; 5 sec dropout delay
Weight	5.9 kg
Safety integrity level	SIL 2

Electrical data

Supply voltage	230 V AC (115 V AC) ±10 %
Power consumption	P _v = 15 W/230 V
Normally open contacts	K 2/3, 5 A when cos φ = 1 K 4 and K 5; floating
Temperature switch value (optional)	0 °C to +80 °C
Bypass key switch (optional)	

Dimensions



Ordering information

Version		Code no.
	230 V AC	1
	115 V AC	2

Complete order no. 07-3711-2213/ 000
 Please insert code number.
 Technical data subject to change without notice.