



The sensor box is for APEX px/py or SILAS^{pz} Ex p control units, model I. This contains the measuring card to measure the pressures inside the Ex p equipment and to convert them into an electrical signal. The maximum length between the Ex p control unit and the sensor box is 2 m.

Explosion protection

Zone 1	
ATEX marking	Ⓜ II 2G Ex ib IIC T4/T5 Gb Ⓜ II 2D Ex ib IIIC T95 °C, T130 °C Db
Certification	BVS 19 ATEX E 015
IECEX marking	Ex ib IIC T4/T5 Gb Ex ib IIIC T95 °C, T130 °C Db
Certification	IECEX BVS 19.0038X
Zone 2	
ATEX marking	Ⓜ II 3G Ex ic IIC T4/T5 Gb Ⓜ II 3D Ex ic IIIC T95 °C, T130 °C Dc
Test certificate	BVS 19 ATEX E 016
IECEX marking	Ex ic IIC T4/T5 Gc Ex ic IIIC T95 °C, T130 °C Dc
Test certificate	IECEX BVS 19.0038X
Other approvals and certificates, see www.bartec.com	
Ambient temperature	In storage -20 °C to +60 °C During operation -25 °C to +60 °C

Technical data

Directives	Directive 2014/30/EU Directive 2014/34/EU
Housing material	V4A stainless steel (variant)
IP rating	IP 66 according to EN/IEC 60529

Electrical data

Supply voltage	3.3 V DC (internal)
Power consumption	Pv = approx. 2 watts
Terminals	Ex i: 0.2 to 1.5 mm ² , fine-wire, screw terminal

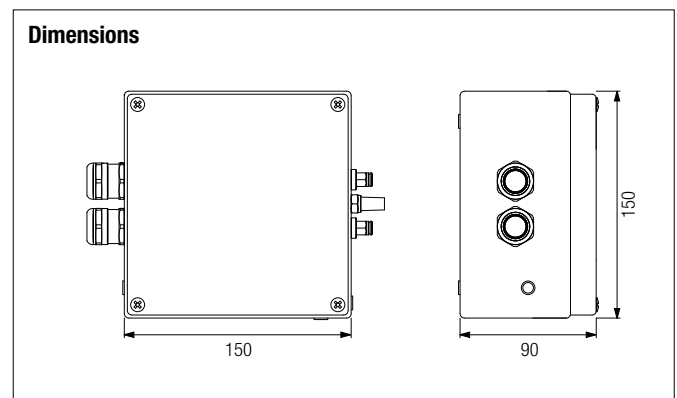
Pneumatic data

Pneumatic connections	2 x hoses 4 mm
Pressure measurement range	0 to 25 mbar (standard) or 0 to 300 mbar (on request)

Versions

SENSOR BOX ^{px}	For APEX ^{px} Ex px control system, model I
SENSOR BOX ^{py}	For APEX ^{py} Ex py control system, model I
SENSOR BOX ^{pz}	For SILAS ^{pz} Ex pz control system, model I

Dimensions



Ordering information

Version	Order number
SENSOR BOX ^{px}	05-0070-1077
SENSOR BOX ^{py}	05-0070-1078
SENSOR BOX ^{pz}	05-0070-1079

Technical data subject to change without notice.