

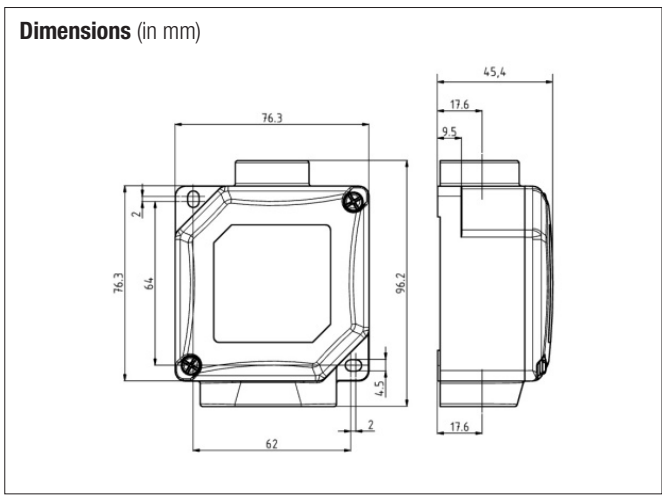


Explosion protection

Marking ATEX Zone 1/21 and 2/22	Ⓔ II 2G Ex eb IIC T6 Gb Ⓔ II 2G Ex ia IIC T6 Gb Ⓔ II 2D Ex tb IIIC T80°C Db
Certification	EPS 18 ATEX 1 058 X
Marking IECEx	Ex eb II T6 Gb Ex ia IIC T6 Gb Ex tb IIIC T80°C Db
Certification	IECEx EPS 18.0033X
Other approvals and certificates, see www.bartec.de	
Ambient temperature	-20 °C to +40 °C

Technical data

Material	glass-fibre reinforced polyester, colour: RAL 2004
Lid screws	stainless steel, captive, cross-head, M4
Seals	EPDM -20 °C to +80 °C
Mechanical resistance	according to EN 60079-0, impact energy 7 Nm
Protection class	IP 65 (EN/IEC 60529)
Terminals	4 or 5 Ex e II, pillar terminals according to execution max. 2 x 4 mm ² , single-wire
Rated voltage	max. 690 V
Rated current	max. 27 A



The explosion-proof junction boxes of glass-fiber reinforced plastic come with pillar terminals. Lid and base are secured with captive screws. All holes for cable entries not used, have to be sealed by means of Ex-certified stopping plugs. The junction box is also suitable for the connection of intrinsically safe circuits. Such cases require special markings. The box is mounted via fixing holes located outside of the terminal compartment.

Fields of application:

Connection of lamps, devices and sensors, Zone 1/21 and Zone 2/22

Ordering information

Junction boxes Ex e, 690 V (just drillings, without cable glands)

Description	Order no.
4 sheath clamps 2 x 4 mm ² , 1 x M20 x 1.5 + 2 x M20 x 1.5	07-5311-2320/DD00
5 sheath clamps 2 x 4 mm ² , 1 x M20 x 1.5 + 2 x M20 x 1.5	07-5311-2420/DD00

Junction boxes Ex i, 60 V (just drillings, without cable glands)

Description	Order no.
4 sheath clamps 2 x 4 mm ² , 1 x M20 x 1.5 + 2 x M20 x 1.5	07-5312-2320/DD00
5 sheath clamps 2 x 4 mm ² , 1 x M20 x 1.5 + 2 x M20 x 1.5	07-5312-2420/DD00

Junction boxes Ex e, 690 V (with metric polyamide cable glands)

Description	Order no.
4 sheath clamps 2 x 4 mm ²	
3 x M20 x 1.5 (7 to 13)	07-5311-9014
1 x M20 x 1.5 (11 to 14), 2 x M20 x 1.5 (7 to 13)	07-5311-2320/FF00
3 x M20 x 1.5 (11 to 14)	07-5311-9016
5 sheath clamps 2 x 4 mm ²	
1 x M20 x 1.5 (11 to 14), 2 x M20 x 1.5 (7 to 13)	07-5311-2420/FF00
3 x M20 x 1.5 (7 to 13)	07-5311-9015
3 x M20 x 1.5 (11 to 14)	07-5311-9017

Junction boxes Ex i, 60 V (with metric polyamide cable glands)

Description	Order no.
4 sheath clamps 2 x 4 mm ²	
3 x M20 x 1.5 (7 to 13)	07-5312-9014
3 x M20 x 1.5 (11 to 14)	07-5312-9016
1 x M20 x 1.5 (11 to 14), 2 x M20 x 1.5 (7 to 13)	07-5312-2320/FF00
5 sheath clamps 2 x 4 mm ²	
3 x M20 x 1.5 (7 to 13)	07-5312-9015
1 x M20 x 1.5 (11 to 14), 2 x M20 x 1.5 (7 to 13)	07-5312-2420/FF00
3 x M20 x 1.5 (11 to 14)	07-5312-9017

Ordering information Accessories/spare parts

Cable glands	Stopping plugs
M20 x 1.5 03-6062-0127 (7 to 13)	03-5210-0089
M20 x 1.5 03-6062-0241 (11 to 14)	—

Different diameters available on request

Technical data subject to change without notice.