



*ComEx Potentiometer
with terminals
for rail-mounted installation*

➔ **Explosion protection**

Ex protection type

ATEX II 2G Ex de IIC Gb
 I M2 Ex de I Mb

Certification

PTB 05 ATEX 1064 U

IECEX Ex de IIC Gb
Ex de I Mb

Certification

IECEX PTB 10.0017U

Further approvals

NEPSI, KTL, INMETRO, DNV, CSA

Other approvals and certificates,
see www.bartec-group.com

Ambient temperature

-55 °C to +60 °C

➔ **Technical data**

Protection class

determined by the actuating element and
ComEx enclosure, min. IP 66, terminals IP 20

Rated insulation voltage

500 V

Max. rated voltage

AC/DC 230 V

Resistance

1 k Ω to 10 k Ω

Curve shape

linear

Resistance tolerance

$\pm 20\%$

Rated output

max. 1 W at $T_a \leq +40\text{ °C}$

Resistor material

carbon film on ceramics

Rotation

mech. 285° -5°
electr. about approx. 250°

Torgue (beginning)

0.5 to 1.5 Ncm

Torgue (end stop)

≥ 100 Ncm

Enclosure material

thermoplastic

Connection

Double terminals 2 x 2.5 mm², fine stranded

Mechanical life

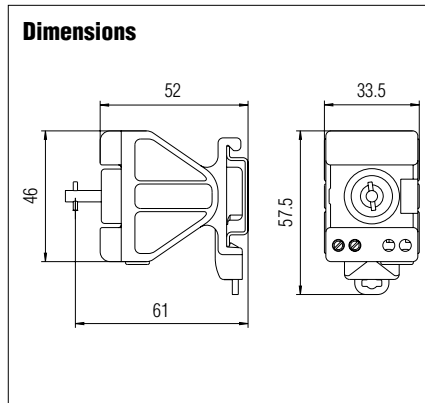
25000 sinusoidal cycles

Storage and transport temperature

-55 °C to +70 °C

Weight

approx. 71 g



Selection chart

Wiring diagram	Resistance	Code no.
	1 kΩ	4
	2.2 kΩ	5
	4.7 kΩ	6
	10 kΩ	7

Other resistances on request.

➔ Complete order no.*

Potentiometer without actuating element

07-3371-1D **0**

Please enter code number. Technical data subject to change without notice:

* Product printing standard: ATEX and IECEx marking.
Other markings on request. Please specify in plain text.

Actuating element

Standard (Skala 1 to 10)

Order no. 05-0003-007600

Increased oil resistance (Skala 1 to 10)

Order no. 05-0003-007600BN

Notes for installation and inspection:

At rated voltage: ≤ AC 50 V/≤ DC 120 V
(protection low voltage in accordance with DIN VDE 0100 T. 410)
potentiometer drive shaft can be operated without actuating element.

At rated voltage: ≥ AC 50 V to max. AC/DC 230 V
potentiometer drive shaft can only be operated with actuating element
or has to be deenergized.